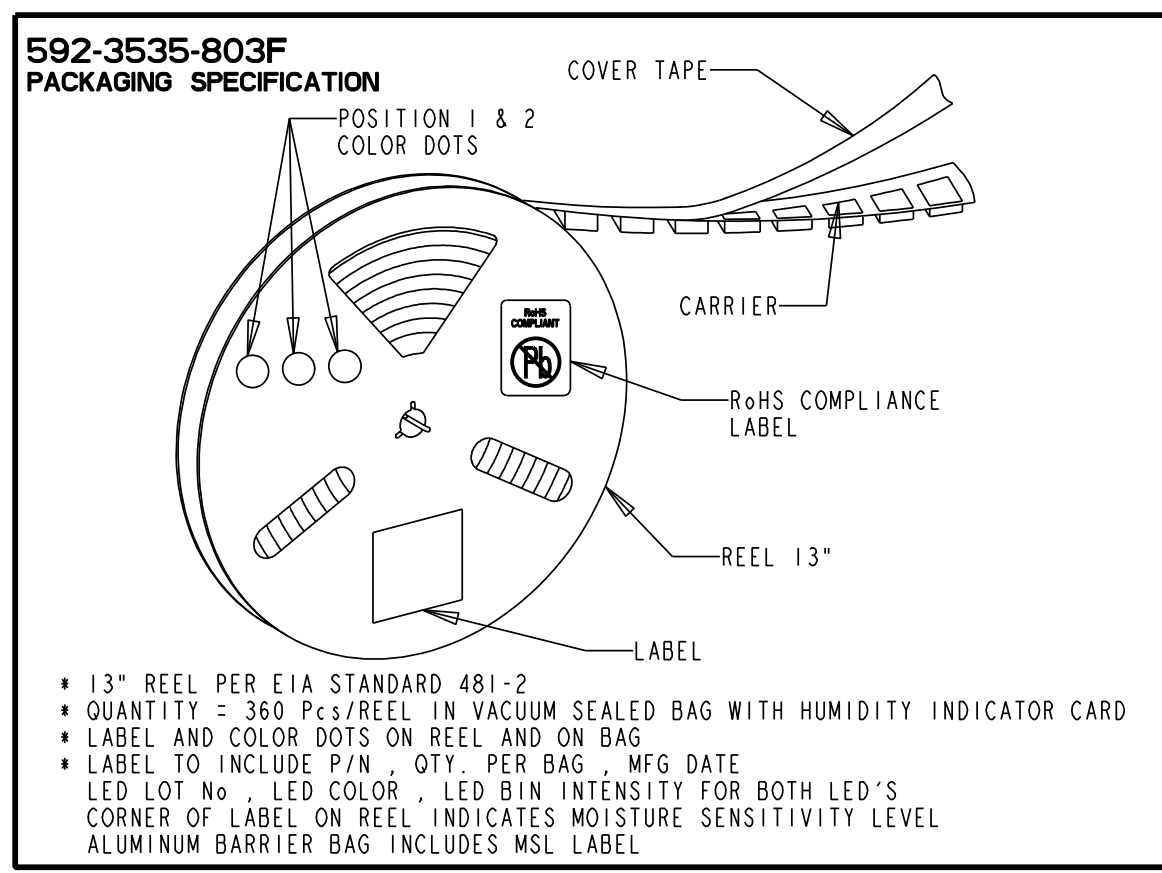
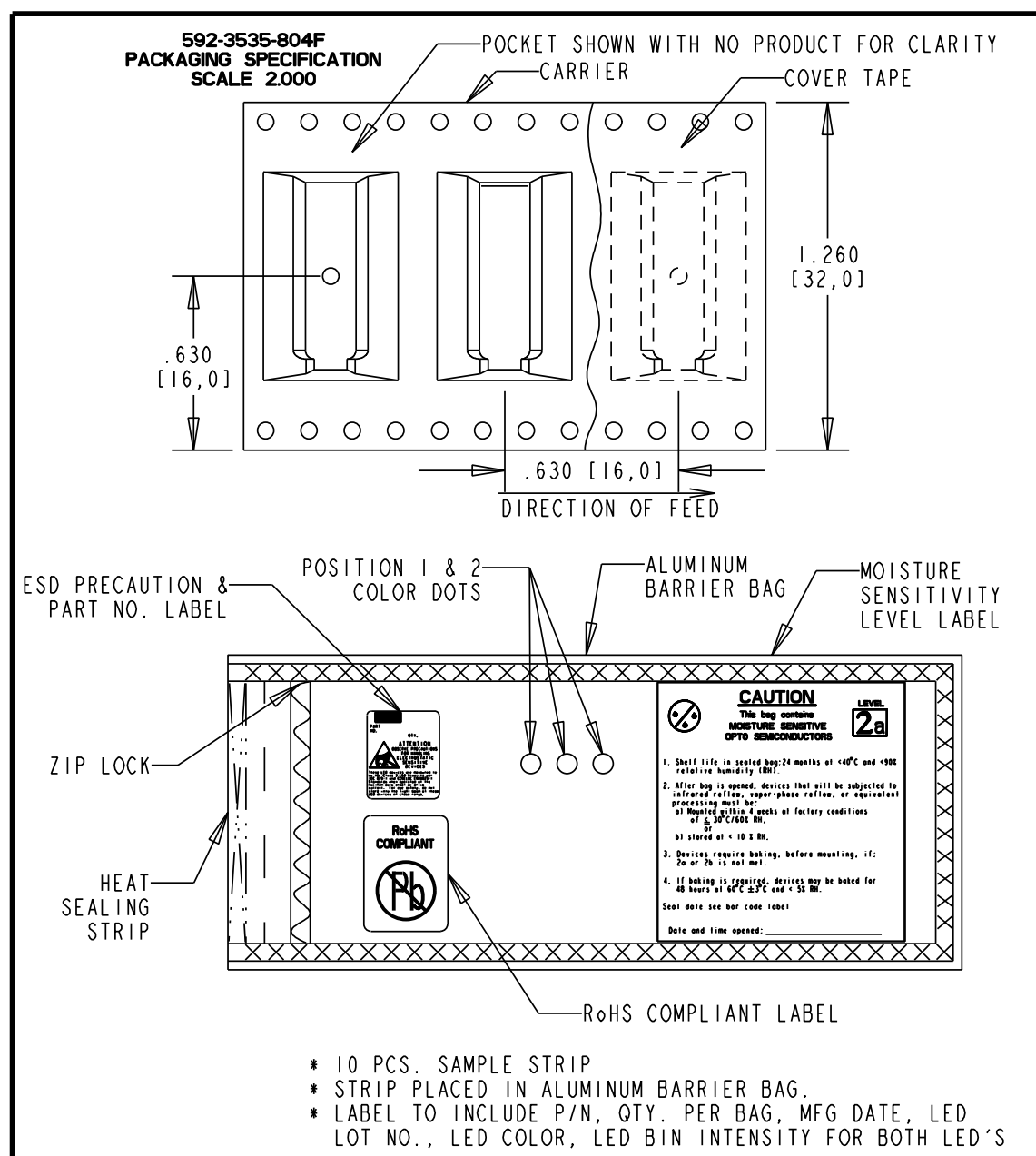


REV.	ECN NO.	REVISIONS	DRN.	CKD.	APP.	DATE
A		NEW RELEASE	TWC			



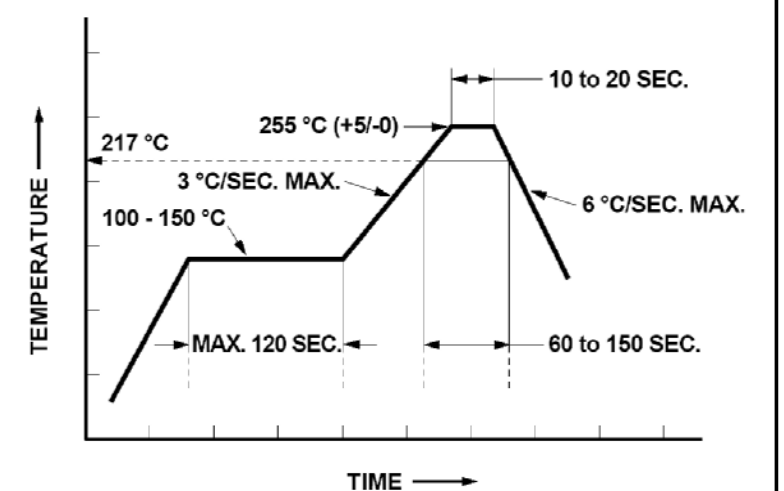
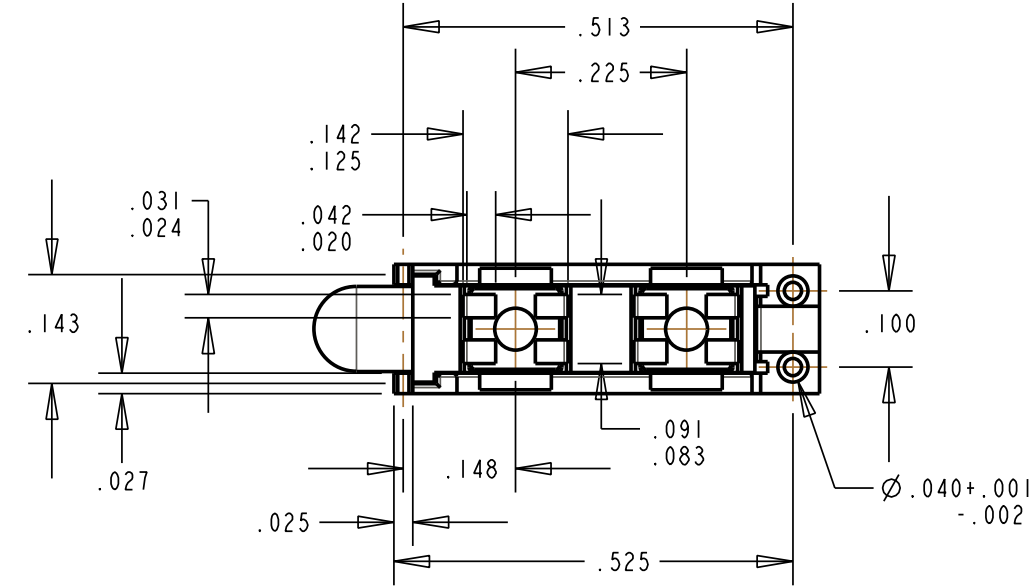
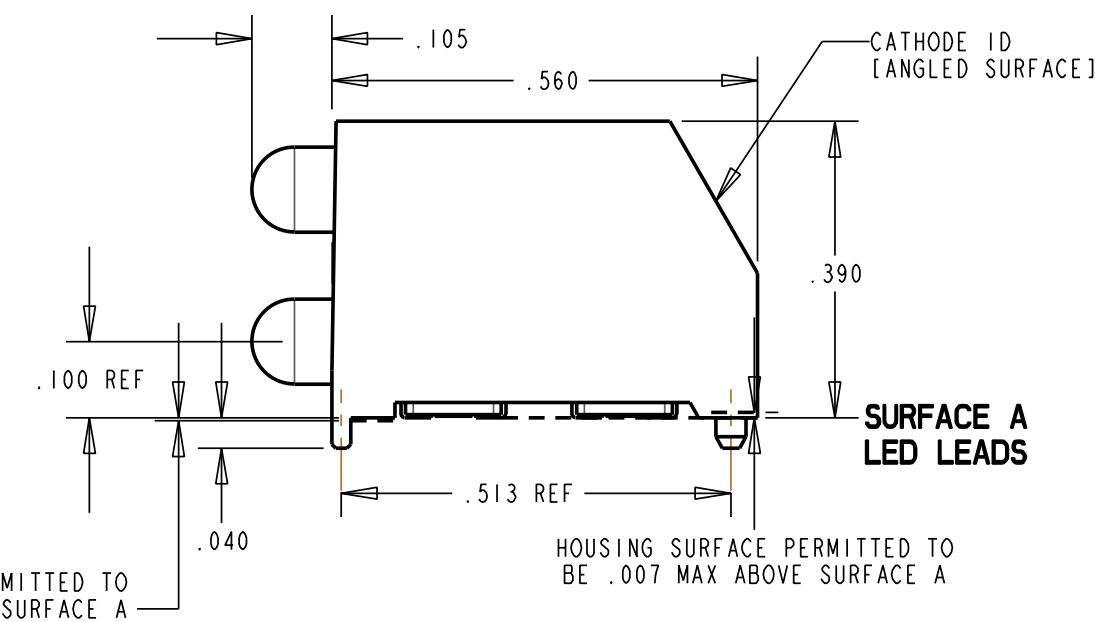
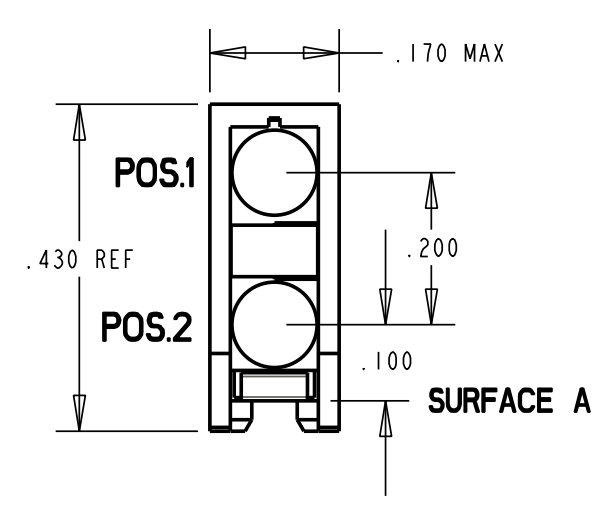
PART NUMBER	POSITION 1	POSITION 2	MOISTURE LEVEL
592-3535-803F	RED/GREEN/BLUE	RED/GREEN/BLUE	2a
592-3535-804F			

OPERATING CHARACTERISTICS AT 25 °C AMBIENT

LED CHARACTERISTICS	COLOR	MIN.	TYP.	MAX.	UNITS	TEST CONDITIONS
FORWARD VOLTAGE	BLUE GREEN RED		3.4 3.4 1.9	4.05 4.05 2.4	V	$I_F = 20 \text{ mA}$
REVERSE CURRENT	BLUE GREEN RED	100 100 100			μA	$V_R = 5\text{V}$
PEAK WAVELENGTH	BLUE GREEN RED		468 523 635		nm	$I_F = 20 \text{ mA}$
DOMINANT WAVELENGTH	BLUE GREEN RED		470 525 626		nm	$I_F = 20 \text{ mA}$
2 X 1/2 - INTENSITY ANGLE	BLUE GREEN RED	120 120 120			DEGREES	

- NOTES:
- STORAGE OF TAPED PARTS SHALL NOT EXCEED TWELVE (12) MONTHS AFTER WHICH RE-PACKAGING IS REQUIRED
 - FRONT AND REAR TERMINALS [OF EACH LED] OF THE ASSEMBLY TO BE WITHIN .005 COPLANARITY
 - OPTICAL INTENSITY:
RED = 46 mcd @ 20mA TYP
GREEN = 83 mcd @ 20mA TYP
BLUE = 25 mcd @ 20mA TYP
 - MOISTURE SENSITIVITY LEVEL:
A LABEL WILL BE PLACED ON THE BAG
 - THIS ASSEMBLY CONTAINS ELECTROSTATIC DISCHARGE SENSITIVE DEVICES (ESDS). MAINTAIN ALL PRECAUTIONARY MEASURES DURING ASSEMBLY, HANDLING AND STORAGE IN ACCORDANCE WITH IPC-A-610.
 - DIALIGHT PART NUMBERS =
592-3535-804F [STRIP]
592-3535-803F [13" REEL]

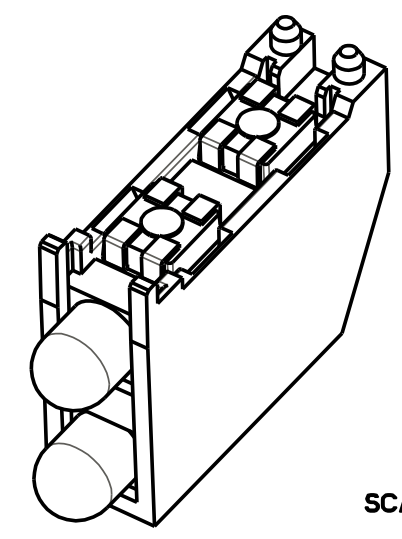
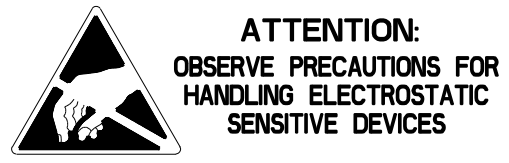
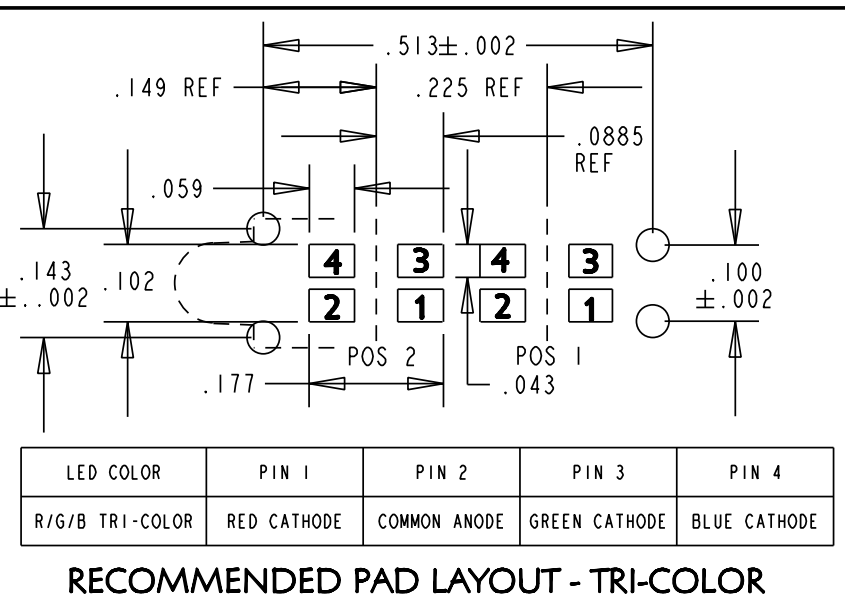
ABSOLUTE MAXIMUM RATINGS AT 25 °C AMBIENT	RED	GREEN	BLUE	UNIT
POWER DISSIPATION (TOTAL)	72	120	120	mW
CONTINUOUS FORWARD CURRENT (SINGLE CHIP)	30	20	20	mA
DERATE LINEARLY FROM 80°C (*BLUE & GREEN FROM 70°C) BASED ON 1 CHIP ON	1.00	*0.67	*0.40	mA/°C
DERATE LINEARLY FROM 65°C (*BLUE & GREEN FROM 50°C) BASED ON 3 CHIPS ON	0.75	*0.30	*0.30	mA/°C
SURGE CURRENT	0.5	0.5	0.2	A
REVERSE VOLTAGE	5	5	5	V
OPERATING TEMPERATURE RANGE	-55 TO +100			°C
STORAGE TEMPERATURE RANGE	-55 TO +100			°C
JUNCTION TEMPERATURE	+110			°C



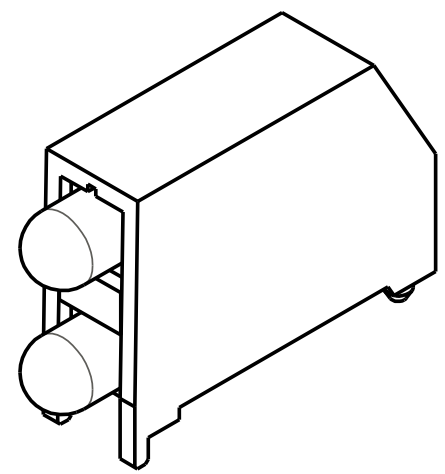
REFLOW PROFILE FOR RoHS COMPLIANT PART

RoHS Compliant 592-3535-80XF Bi-level Surface Mount Prism

Part Numbers with the "F" suffix ending are RoHS Compliant. Example: 592-3535-803F
The bag and reel are marked with "RoHS Compliant" label or equivalent markings. Parts can be reflow soldered to the Reflow Profile shown using typical lead-free soldering process with max 260°C peak temp.



SCALE 4.000



THIS DRAWING AND THE CONTENTS HEREIN ARE CONFIDENTIAL AND THE SOLE PROPERTY OF DIALIGHT. REPRODUCTION OF THIS DRAWING OR CONSTRUCTION OF ANY PARTS WITHIN THIS DRAWING ARE FORBIDDEN WITHOUT THE WRITTEN CONSENT OF DIALIGHT.		
SCALE: 4.000	DRAWING NUMBER	REV
ALL DIM'S IN: INCHES (MM)	C-17404	A
TOLERANCES: UNLESS OTHERWISE SPECIFIED	TITLE BI-LEVEL PRISM, TRI-COLOR, R,G,B/R,G,B, RoHS COMPLIANT	
FRACTIONS: ±1/64	MATERIAL	
DECIMALS (.XX): ±.02	FINISH:	
DECIMALS (.XXX): ±.015	FSCM 83330	
DECIMALS (.XXXX): ±.0005	SHEET 1 OF 1	
ANGLES: ±3°	FAMILY TABLES:	
Dialight 1501 ROUTE 34 SOUTH FARMINGDALE, NJ 07727		