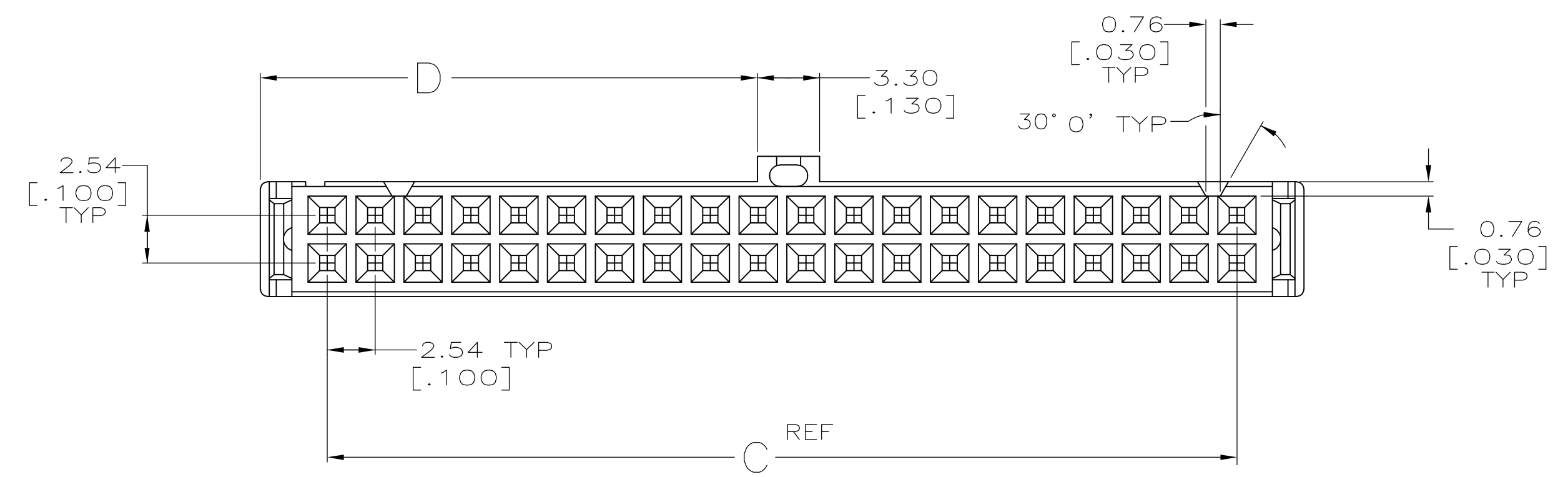
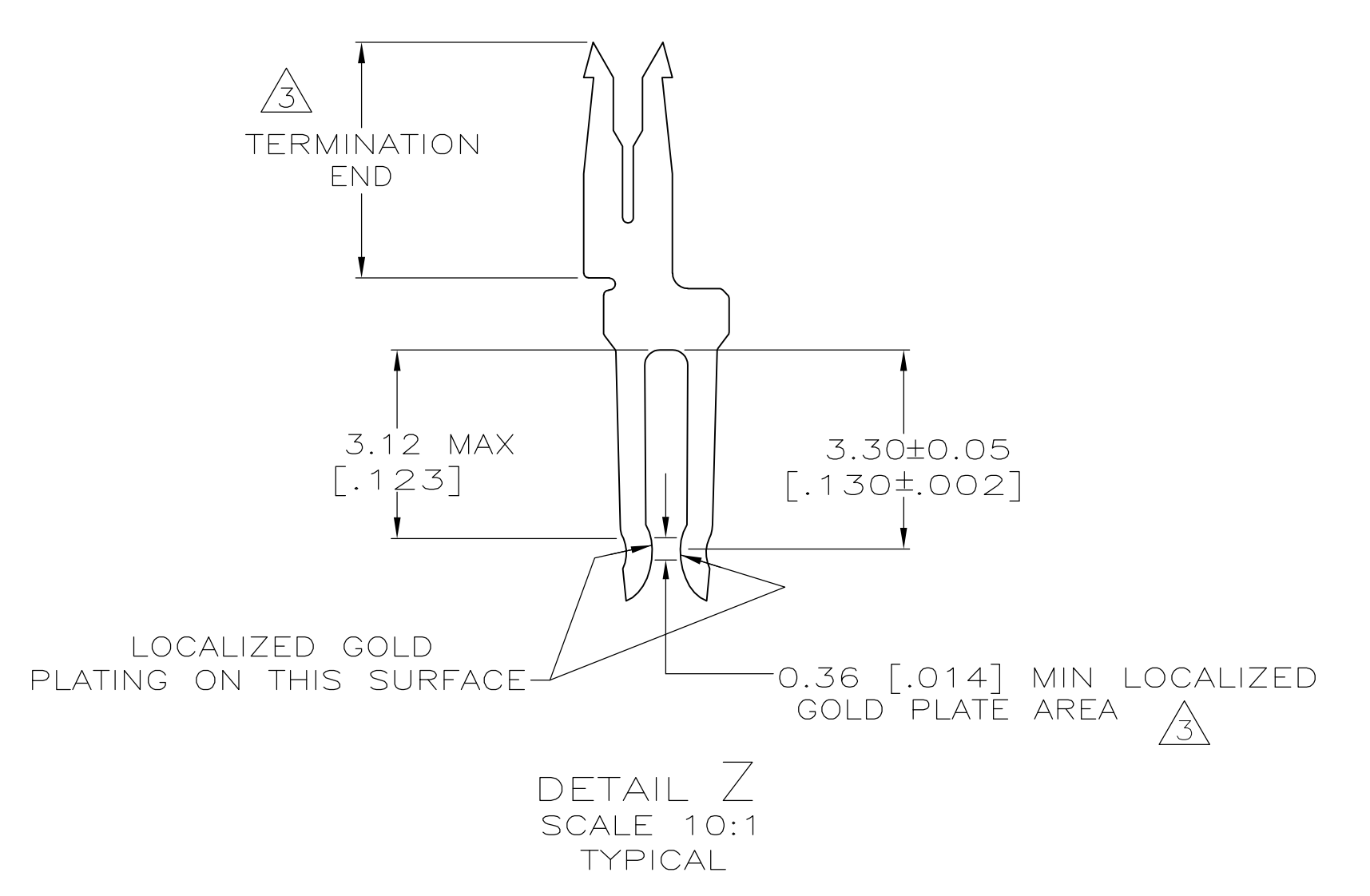
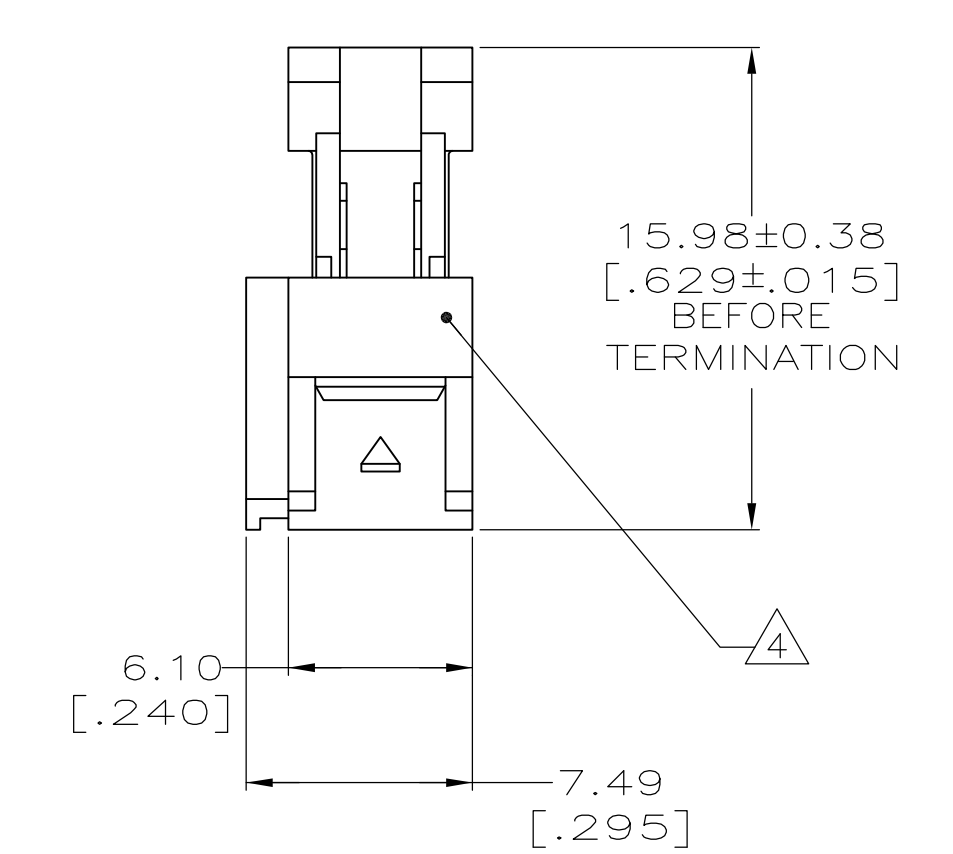
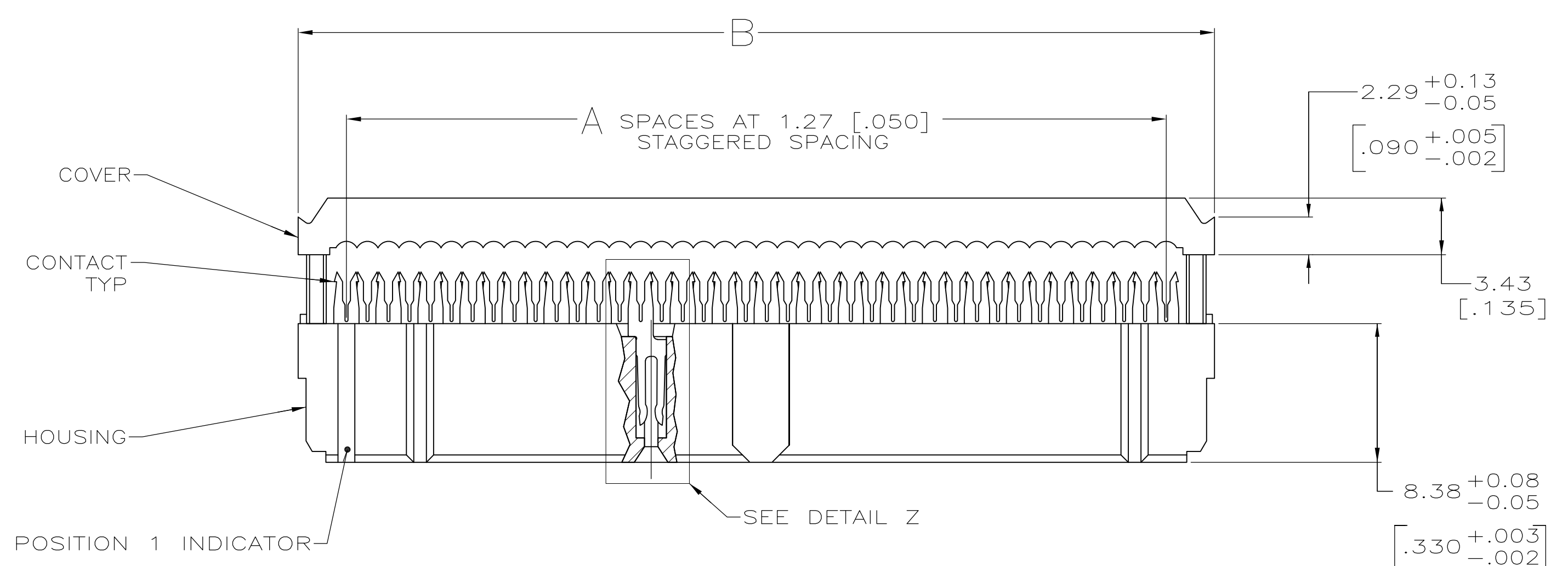
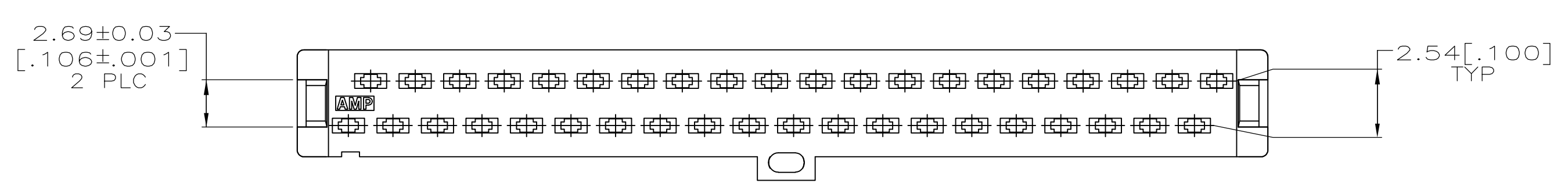


TERMINATED VIEW



- △ MOLDED PARTS: POLYESTER, BLACK, UL RATED 94V-0.
- △ CONTACTS: PHOSPHOR BRONZE PER QQ-B-750.
- △ CONTACTS: PLATED WITH 0.38μm [.000015] MIN GOLD IN LOCALIZED GOLD PLATE AREA, 1.27μm [.000050] MIN TIN ON TERMINATION END, ALL OVER 1.27μm [.000050] MIN NICKEL ON ENTIRE CONTACT.
OR
GOLD FLASH OVER PALLADIUM-NICKEL PLATE 0.38μm [.000015] MIN TOTAL IN LOCALIZED GOLD PLATE AREA, 1.27μm [.000050] MIN TIN ON TERMINATION END, ALL OVER 1.27μm [.000050] MIN NICKEL ON ENTIRE CONTACT.
- △ A VISIBLE LINE IS ACCEPTABLE ON THE ENDWALLS OF THE HOUSING.

26.04 [1.025]	48.26 [1.900]	55.37 [2.180]	39	40	5111894-9
D	C	B	A	NO OF POSN	PART NO

THIS DRAWING IS A CONTROLLED DOCUMENT.

DW	EL	MCMMASTER	10JUNE04	Tyco Electronics Corporation Harrisburg, PA 17105-3608
CHK	C	ROHDE	10JUNE04	
APRD	M	WALMSLEY	10JUNE04	NAME
TOLERANCES UNLESS OTHERWISE SPECIFIED:				PRODUCT SPEC
0 PLC ± -				108-40000
1 PLC ± -				APPLICATION SPEC
2 PLC ± 0.13 [.005]				114-40005
3 PLC ± -				SIZE
4 PLC ± -				A1
ANGLES ± 1'				CAGE CODE
FINISH				DRAWING NO
SEE NOTES				5111894
CUSTOMER DRAWING				RESTRICTED TO
				SCALE 4:1
				SHEET 1 OF 1
				REV B