

LOC DW

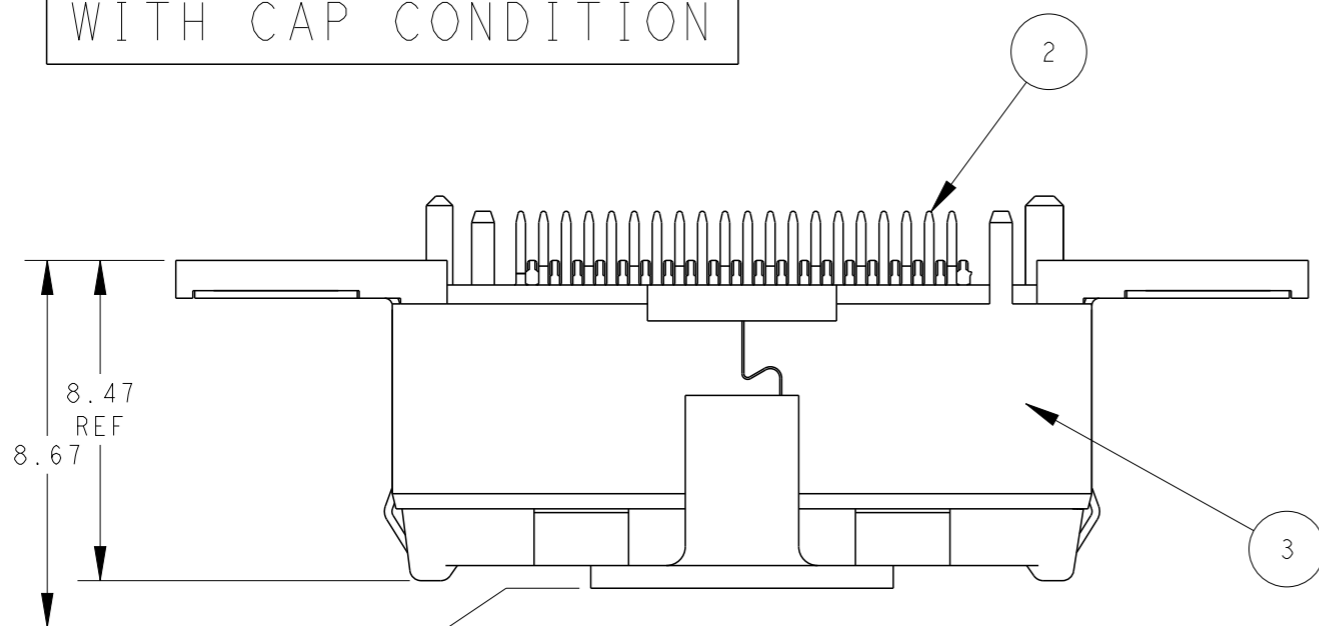
DIST

REVISIONS

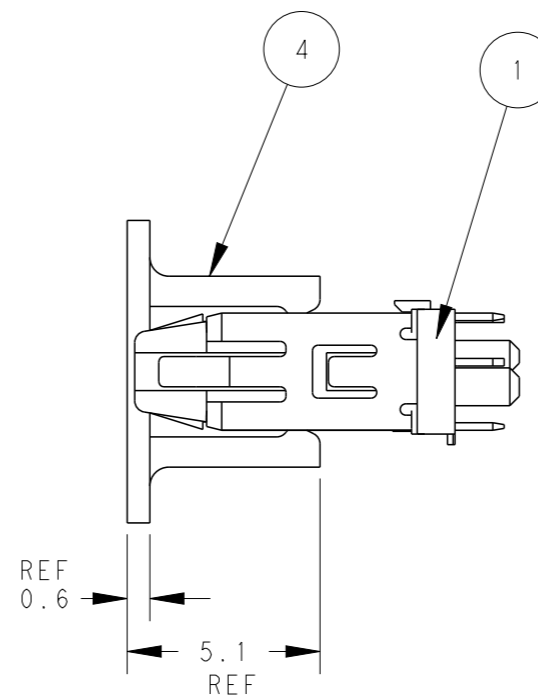
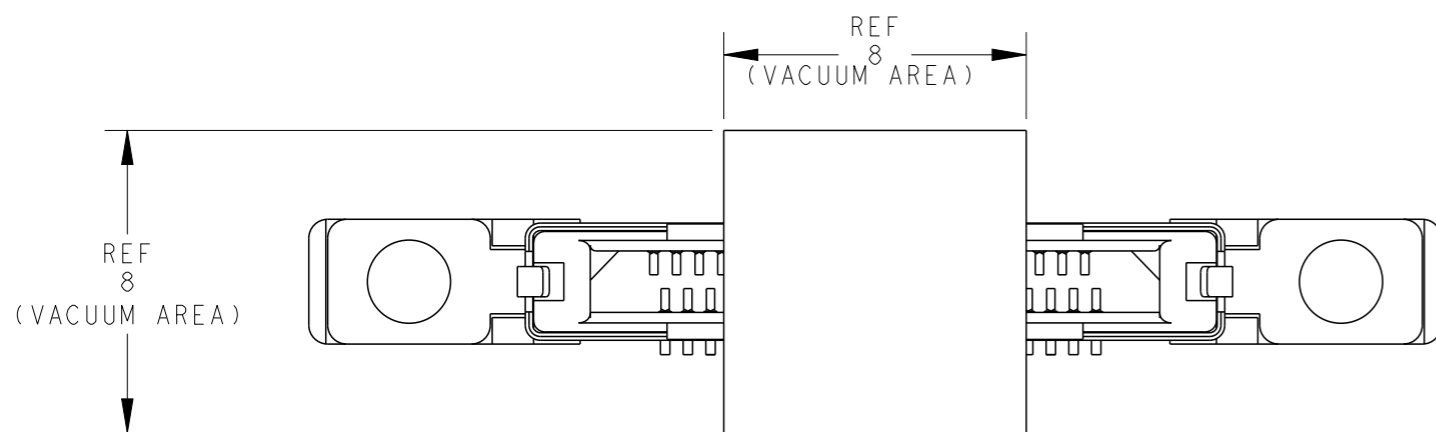
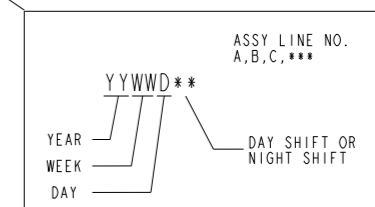
P	LTR	DESCRIPTION	DATE	DWN	APVD
	A	RELEASED	09MAY2012	P. H	H. K

WITH CAP CONDITION

2129454-1; AS SHOWN



- ① MATERIAL: HOUSING: THERMO-PLASTIC(UL94V-0,BLACK).
CONTACT: COPPER ALLOY.
SHELL: COPPER ALLOY.
CAP: THERMO-PLASTIC(UL94V-0,BLACK).
- ② FINISH:
CONTACT: ALL OVER 2um MIN. Ni UNDER PLATING.
0.38um MIN. Au PLATING ON CONTACT AREA.
1~3um Tin PLATING ON TINE AREA.
SHELL: ALL OVER 1.3um MIN. Ni UNDER PLATING.
- ③ DATE CODE



Q'TY	NAME	ITEM
1	CAP	④
1	SHELL	③
40	CONTACT	②
1	HOUSING	①

THIS DRAWING IS A CONTROLLED DOCUMENT.

DIMENSIONS:	TOLERANCES UNLESS OTHERWISE SPECIFIED:
mm	
	0 PLC ±
	1 PLC ±
	2 PLC ± ± 0.25
	3 PLC ±
	4 PLC ±
	ANGLES ±3°
MATERIAL ①	FINISH ②

DWN	P. HSU	09MAY2012
CHK	M. CHAO	09MAY2012
APVD	H. KODAMA	09MAY2012
PRODUCT SPEC		
APPLICATION SPEC		
WEIGHT	1.06	
CUSTOMER DRAWING		

STE TE Connectivity

NAME
PLUG ASSY, 0.6mm PITCH
CHAMP DOCKING CONNECTOR, 40POS

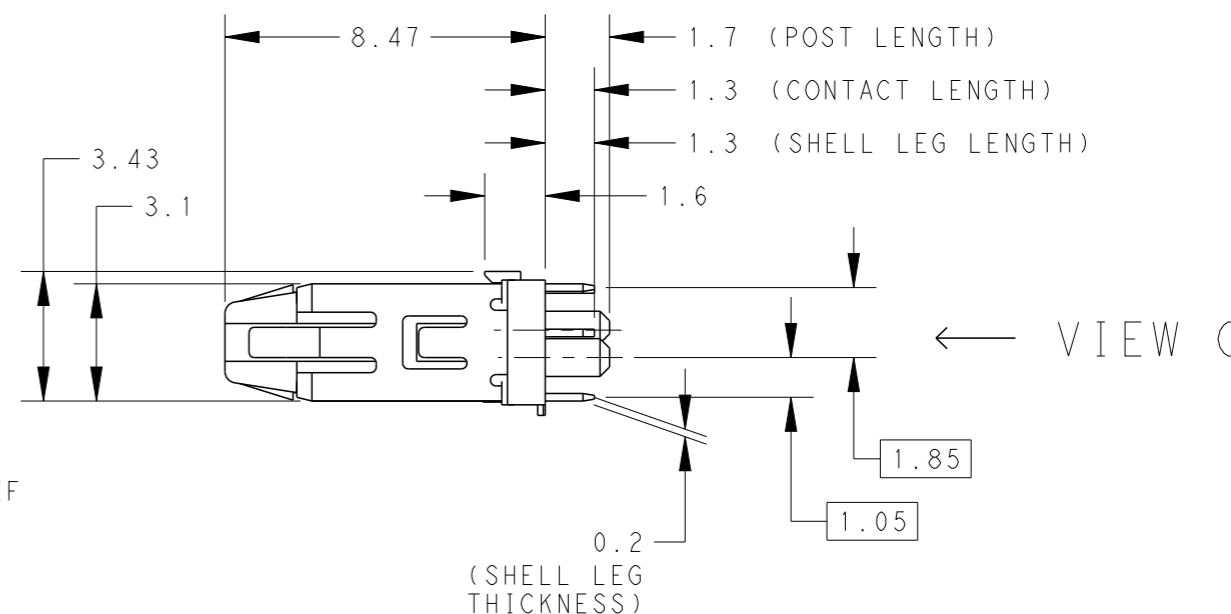
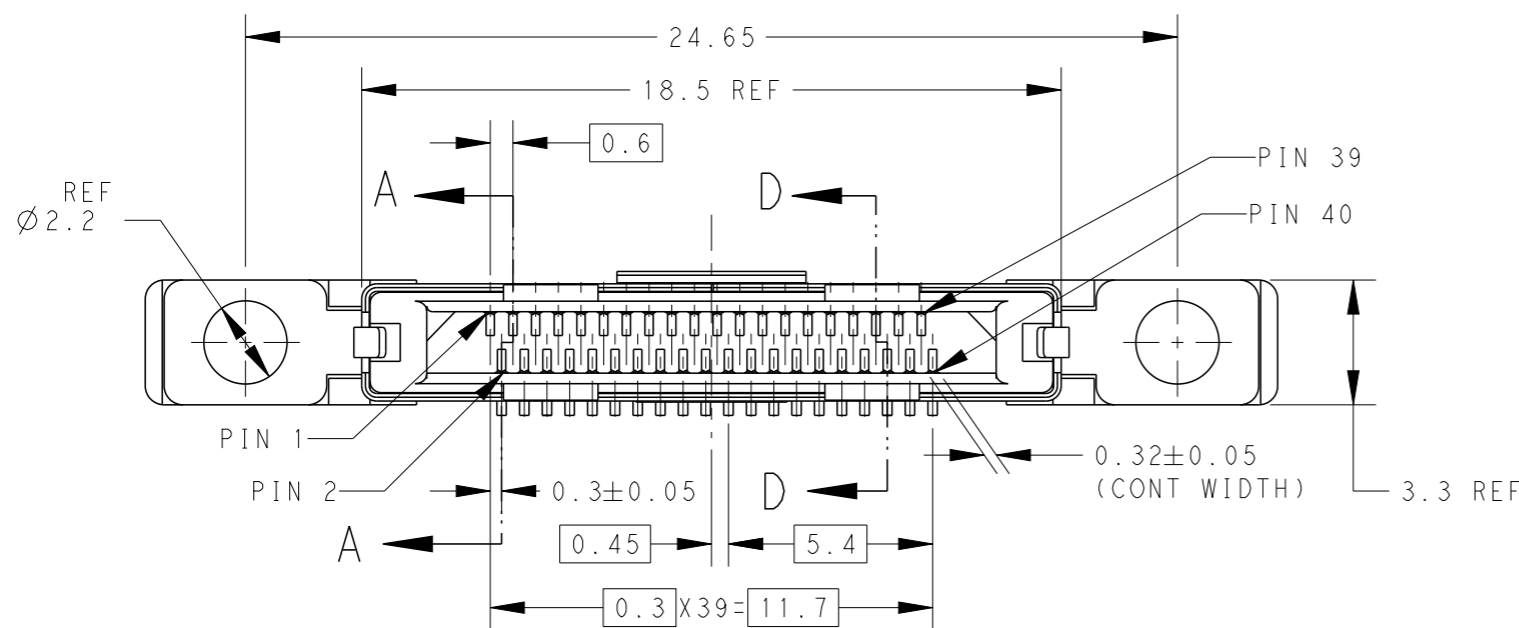
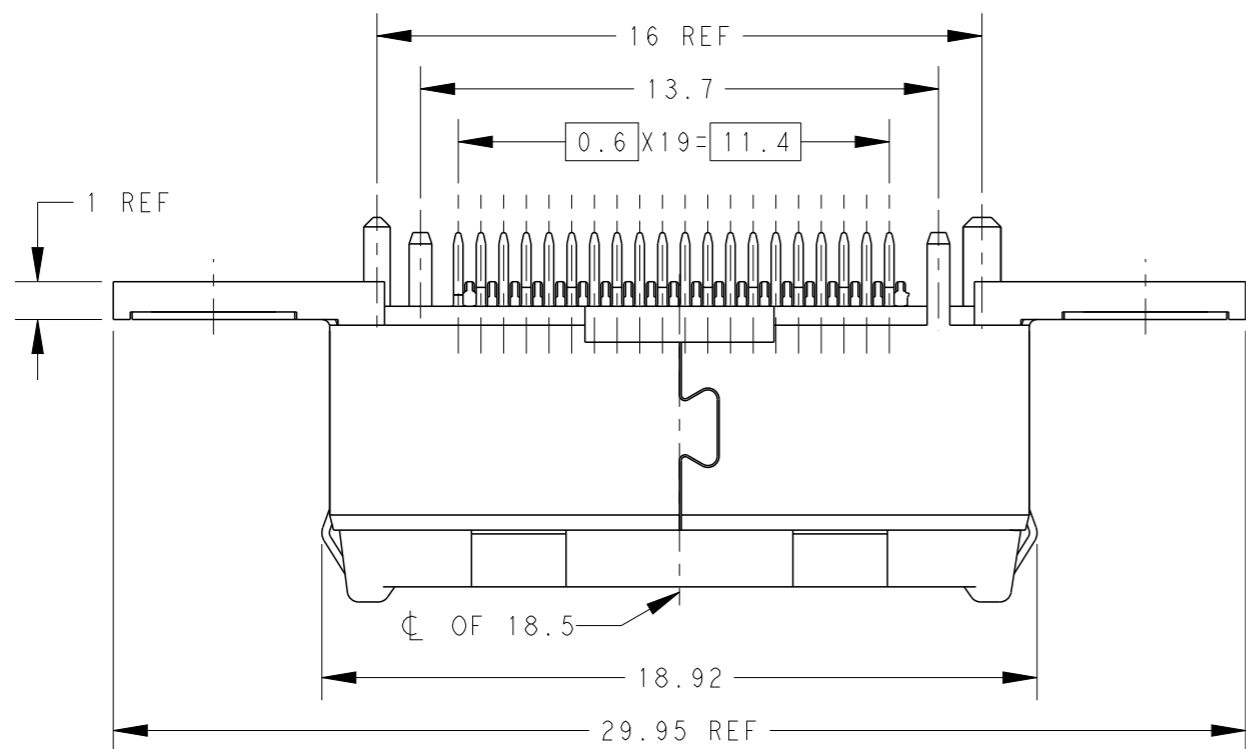
SIZE	CAGE CODE	DRAWING NO	RESTRICTED TO
A3	00779	C-2129454	-

SCALE 5:1 SHEET 1 OF 5 REV A

P	LTR	DESCRIPTION	DATE	DWN	APVD
-	-	SEE SHEET 1	-	-	-

2129454-1; AS SHOWN

W/O CAP CONDITION

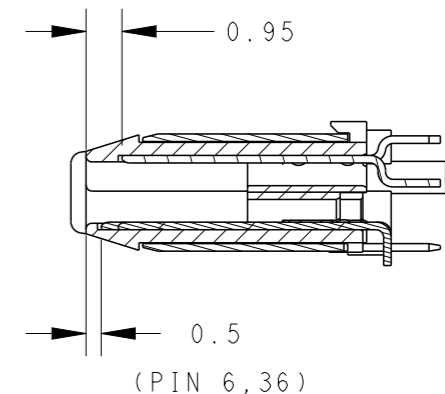
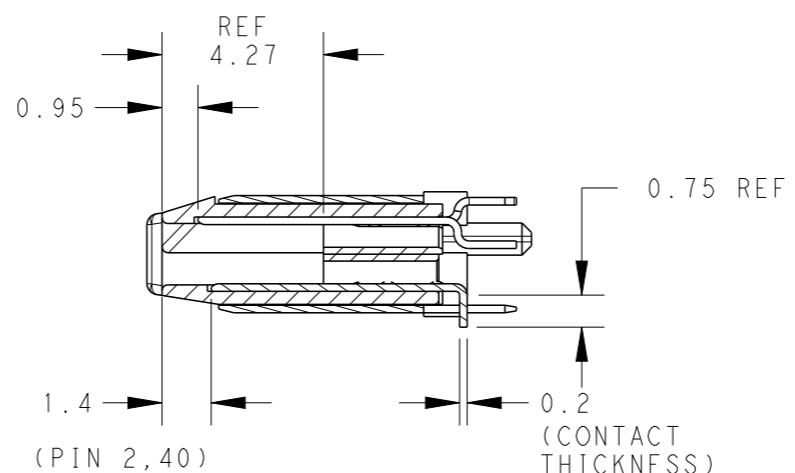
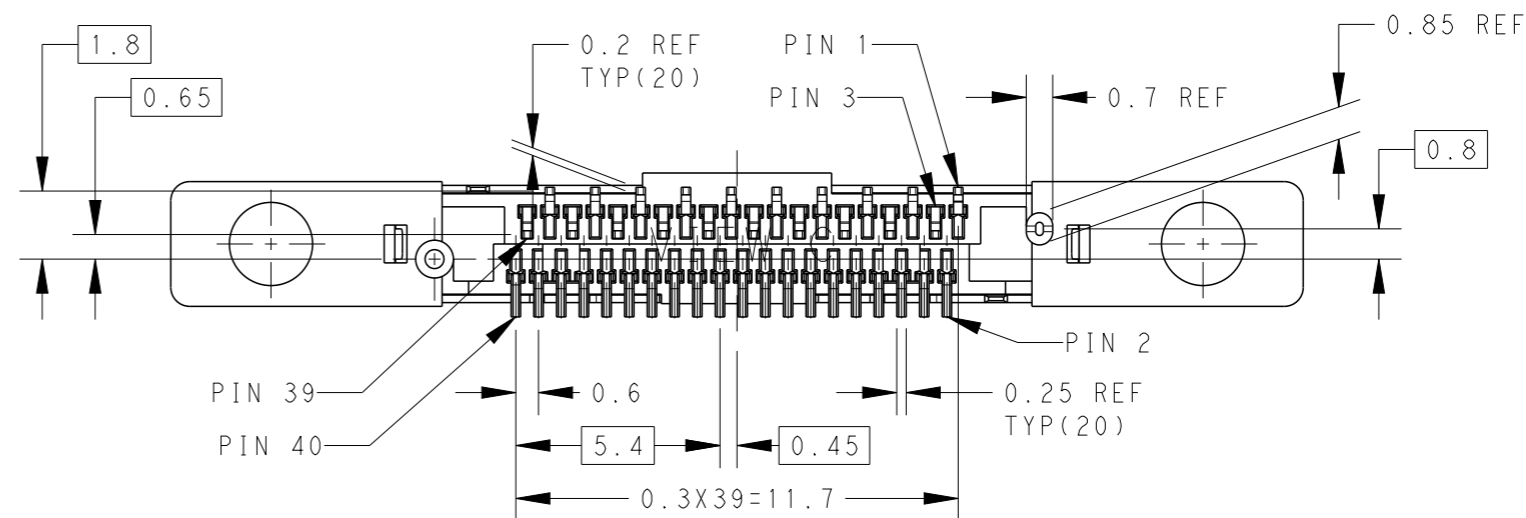
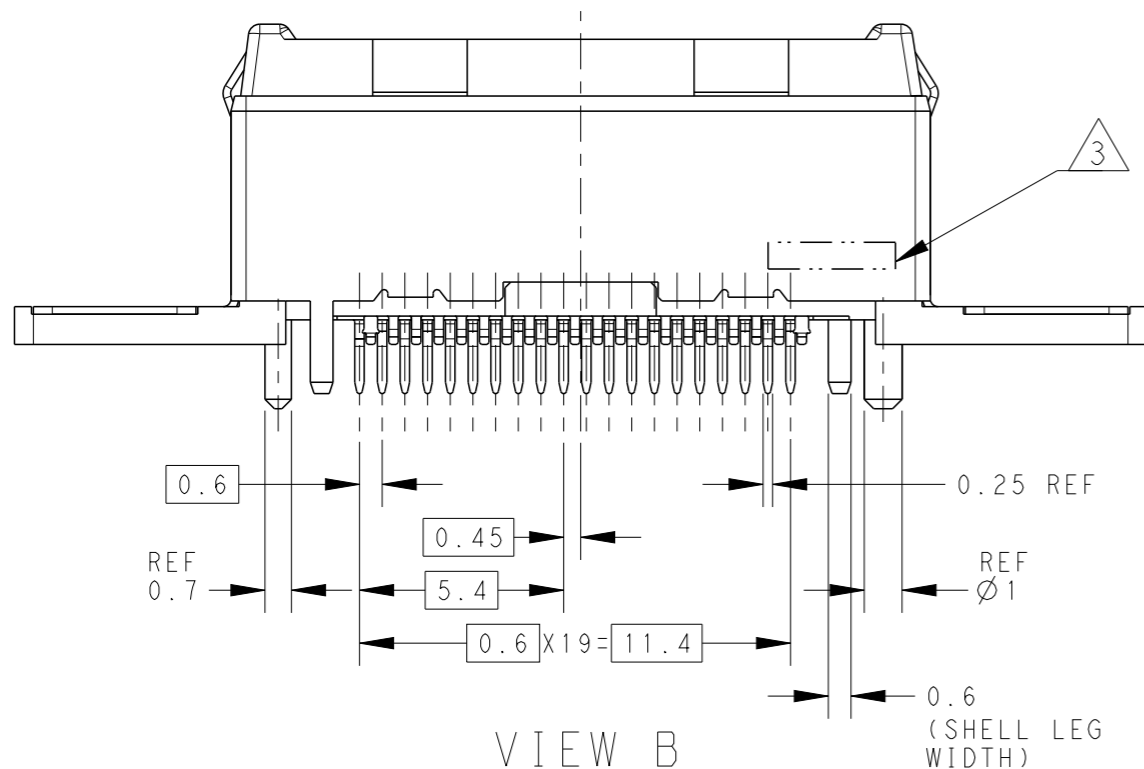


VIEW B

VIEW C

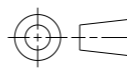
THIS DRAWING IS A CONTROLLED DOCUMENT.		DWN	-	STE TE Connectivity
DIMENSIONS: mm		CHK	-	
TOLERANCES UNLESS OTHERWISE SPECIFIED:		APVD	-	
<ul style="list-style-type: none"> Ø PLC ± 1 PLC ± 2 PLC ± ±0.25 3 PLC ± 4 PLC ± ANGLES ±3° FINISH - 		PRODUCT SPEC	-	
MATERIAL -		APPLICATION SPEC	-	NAME PLUG ASSY, 0.6mm PITCH CHAMP DOCKING CONNECTOR, 40POS
		WEIGHT	-	SIZE CAGE CODE DRAWING NO RESTRICTED TO
		CUSTOMER DRAWING	-	A300779 C-2129454
		SCALE	5:1	SHEET 2 OF 5 REV A

P	LTR	DESCRIPTION	DATE	DWN	APVD
-	-	SEE SHEET 1	-	-	-



THIS DRAWING IS A CONTROLLED DOCUMENT.

DIMENSIONS:
mm



TOLERANCES UNLESS OTHERWISE SPECIFIED:

Ø PLC	±
1 PLC	±
2 PLC	± 0.25
3 PLC	±
4 PLC	±
ANGLES	±3°
FINISH	-

MATERIAL

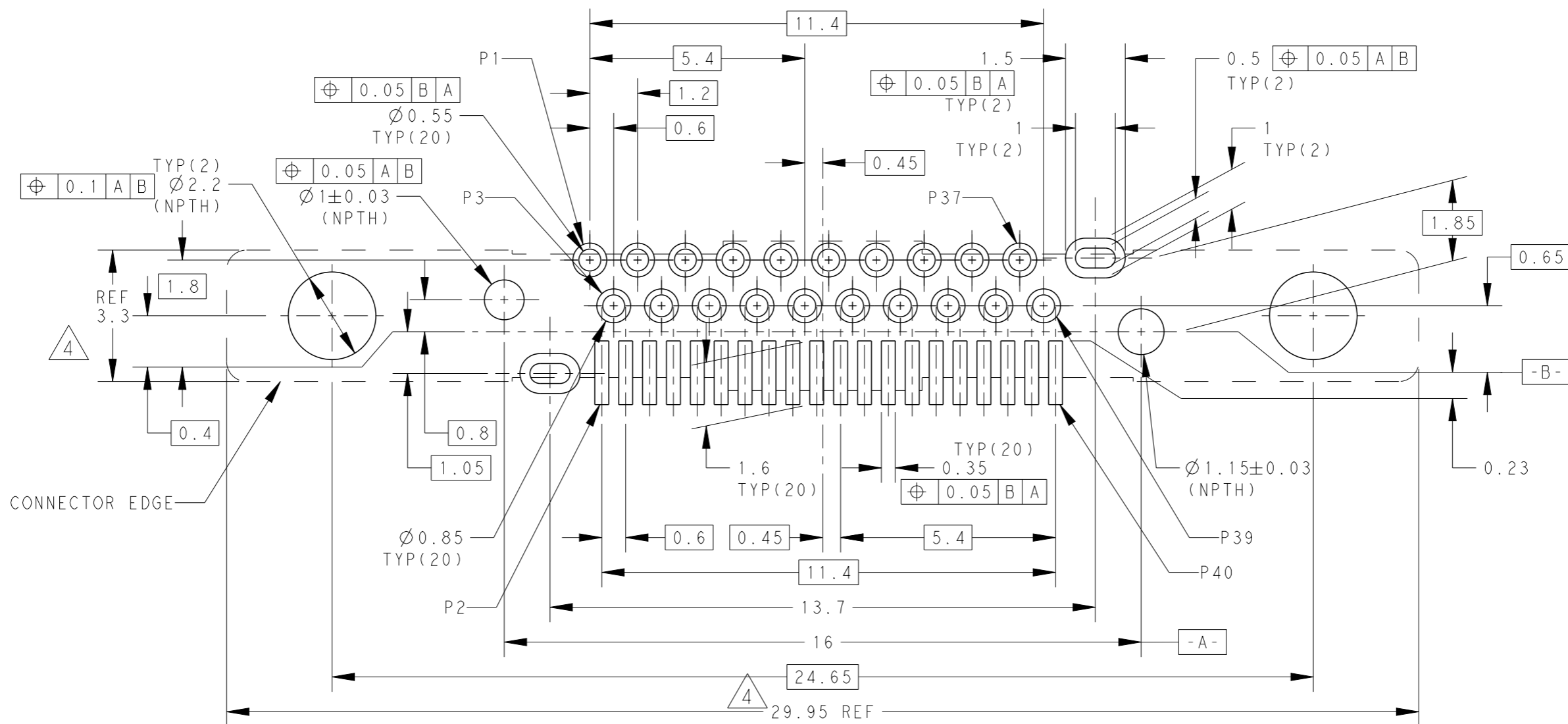
DWN	-
CHK	-
APVD	-
PRODUCT SPEC	-
APPLICATION SPEC	-
WEIGHT	-



NAME
PLUG ASSY, 0.6mm PITCH
CHAMP DOCKING CONNECTOR, 40POS



SIZE	CAGE CODE	DRAWING NO	RESTRICTED TO
A3	00779	C-2129454	-

P	LTR	DESCRIPTION	DATE	DWN	APVD
-	-	SEE SHEET 1	-	-	-



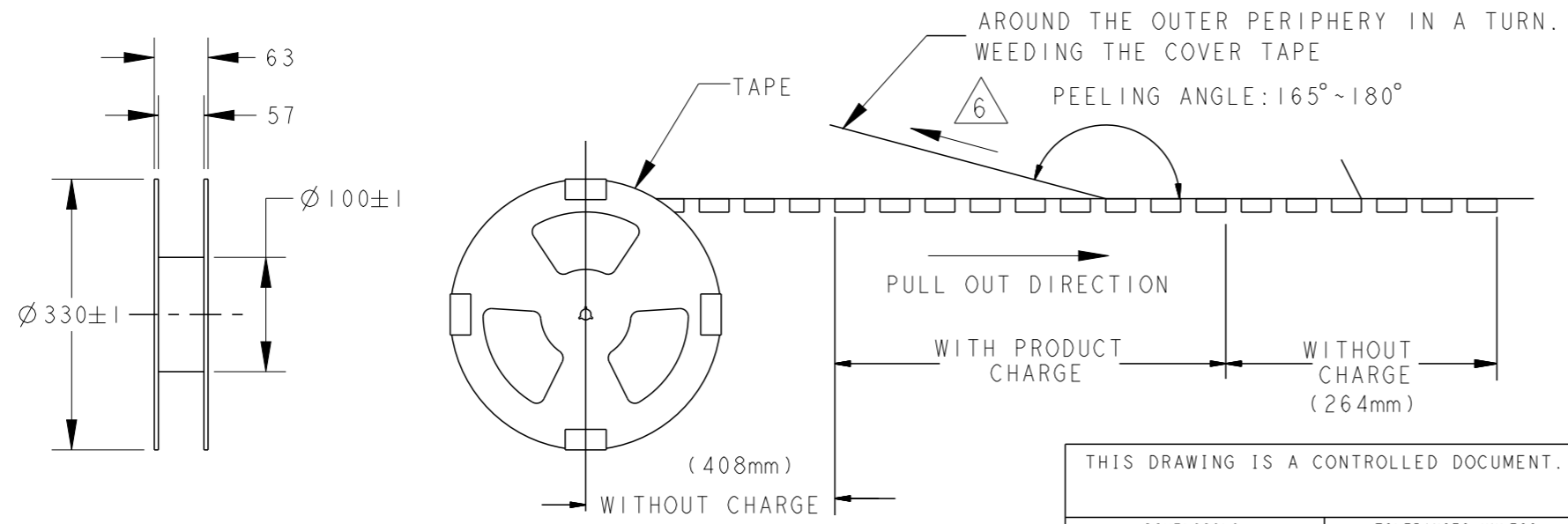
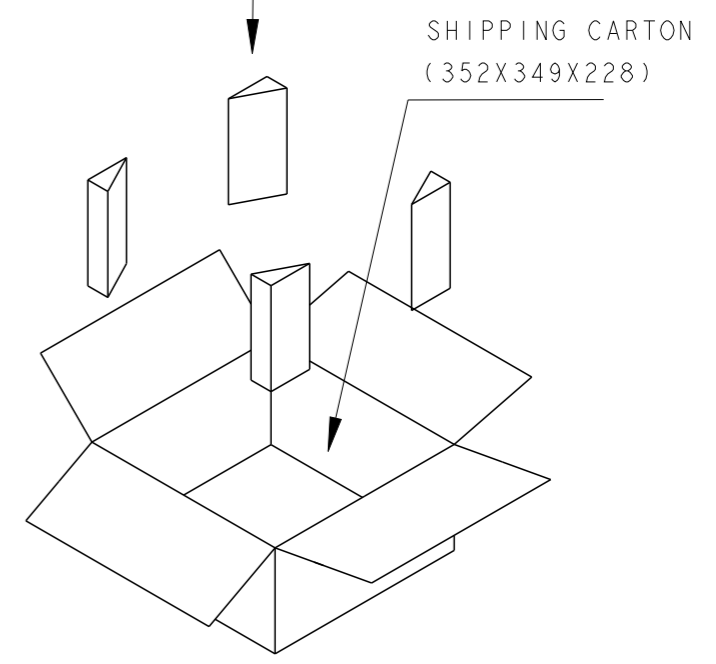
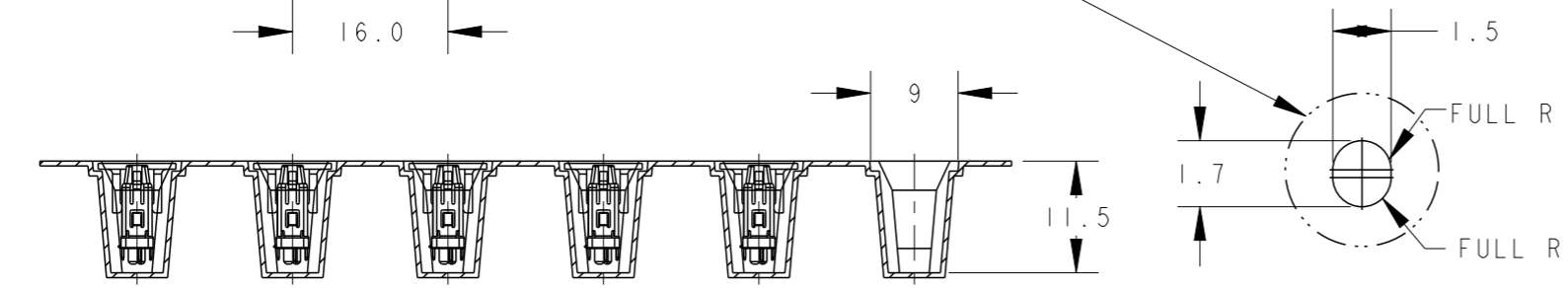
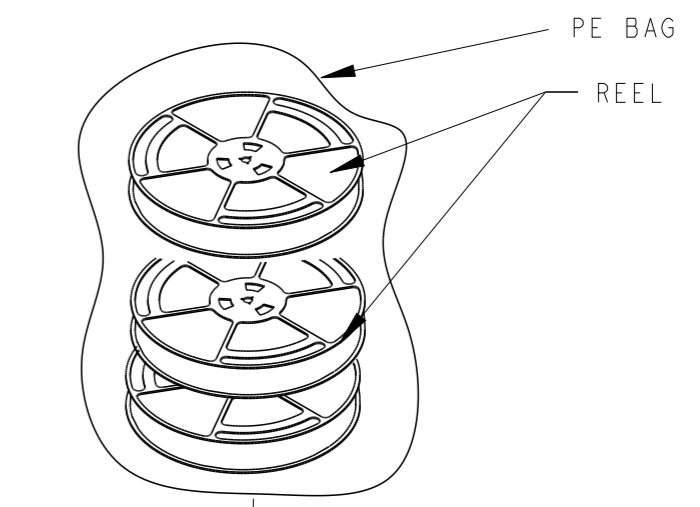
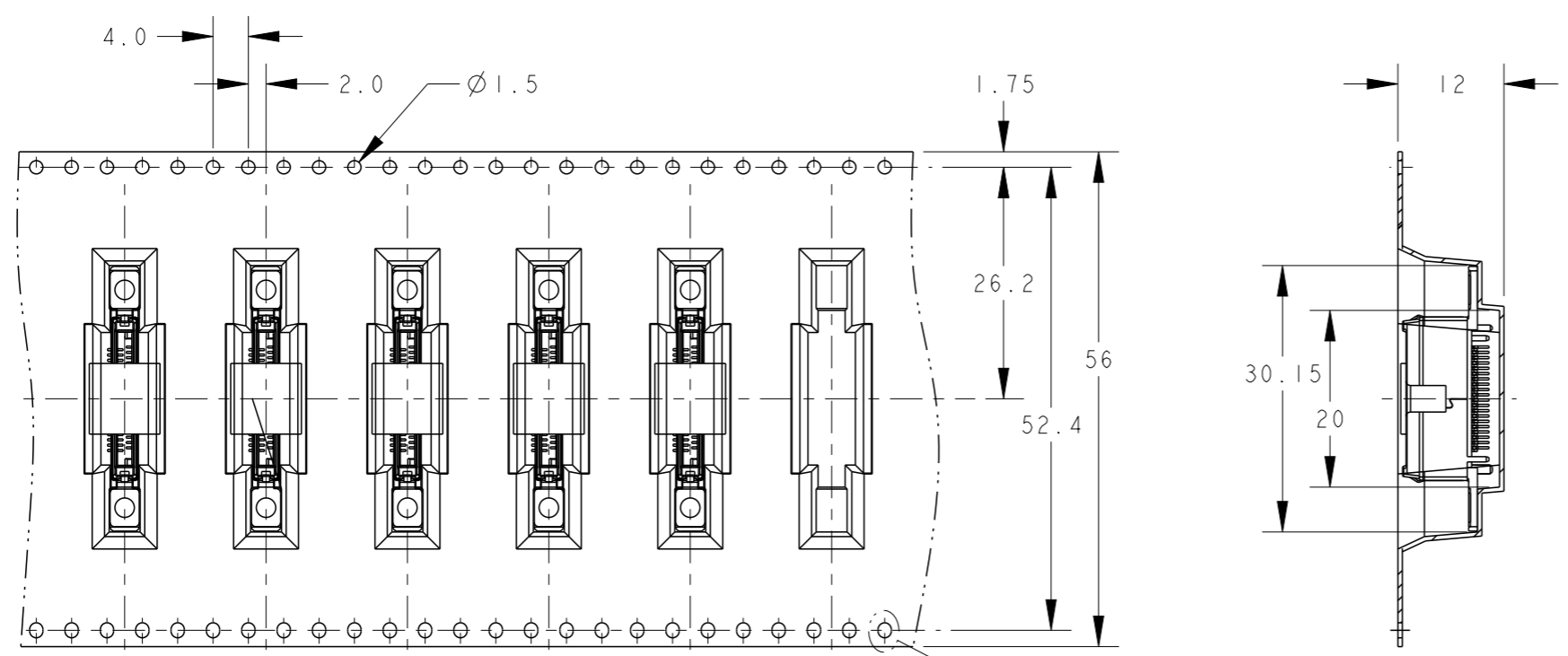
REFERENCE P.C. BOARD LAYOUT (TOP VIEW)

△ CONNECTOR OUTLINE

THIS DRAWING IS A CONTROLLED DOCUMENT.		DWN	 TE Connectivity			
DIMENSIONS: mm		CHK				
		APVD				
TOLERANCES UNLESS OTHERWISE SPECIFIED:		PRODUCT SPEC				
0 PLC ± 1 PLC ± 2 PLC ± ±0.05 3 PLC ± 4 PLC ± ANGLES ±3° MATERIAL - FINISH -		APPLICATION SPEC	NAME PLUG ASSY, 0.6mm PITCH CHAMP DOCKING CONNECTOR, 40POS			
		WEIGHT	SIZE	CAGE CODE	DRAWING NO	RESTRICTED TO
		CUSTOMER DRAWING	A3	00779	C-2129454	-
			SCALE	SHEET	OF	REV
			8:1	4	5	A

THIS DRAWING IS UNPUBLISHED. RELEASED FOR PUBLICATION 20
 © COPYRIGHT 20 BY - ALL RIGHTS RESERVED.

LOC	DIST	REVISIONS			
P	LTR	DESCRIPTION	DATE	DWN	APVD
DW		SEE SHEET 1	-	-	-



5. PACKING MATERIAL:
 CARRY TAPE: PS; COLOR:BLACK.
 COVER TAPE: PET; COLOR: CLEAR.
 PEELING STRENGTH OF COVER TAPE: 0.2N~1.2N

PCS/TAPE	REELS/CARTON	TOTAL QUANTITY
300	3	900

THIS DRAWING IS A CONTROLLED DOCUMENT.		DWN	-	 TE Connectivity	NAME PLUG ASSY, 0.6mm PITCH CHAMP DOCKING CONNECTOR, 40POS
DIMENSIONS: mm		CHK	-		
TOLERANCES UNLESS OTHERWISE SPECIFIED:		APVD	-		
Ø PLC ± 1 PLC ± 2 PLC ± ±0.5 3 PLC ± 4 PLC ± ANGLES ±3°		PRODUCT SPEC	-		
MATERIAL		APPLICATION SPEC	-		
		WEIGHT	-	SIZE	A300779
		CUSTOMER DRAWING	-	CAGE CODE	C-2129454
			-	DRAWING NO	
			-	RESTRICTED TO	
			-	SCALE	5:1
			-	SHEET	5 OF 5
			-	REV	A