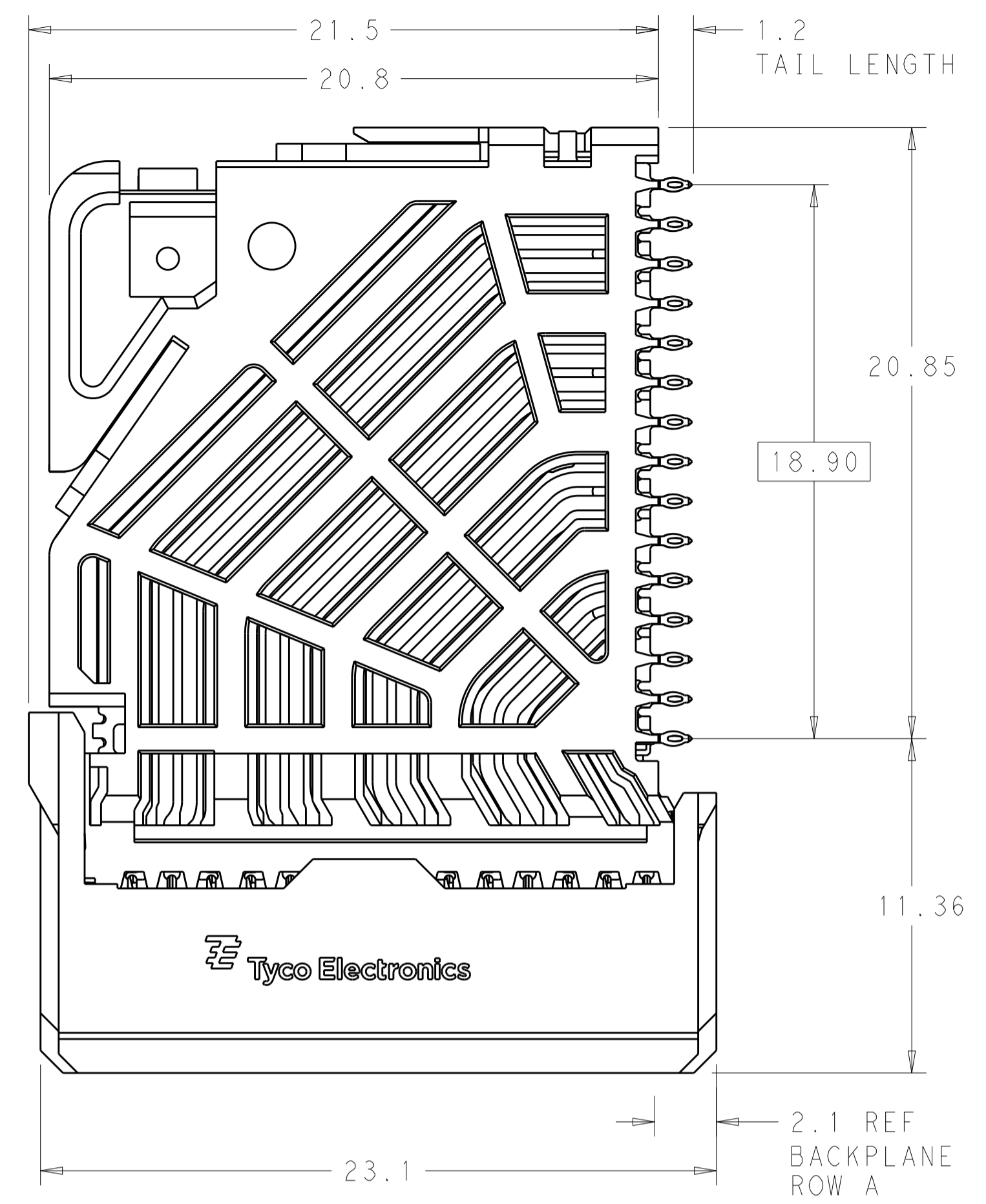
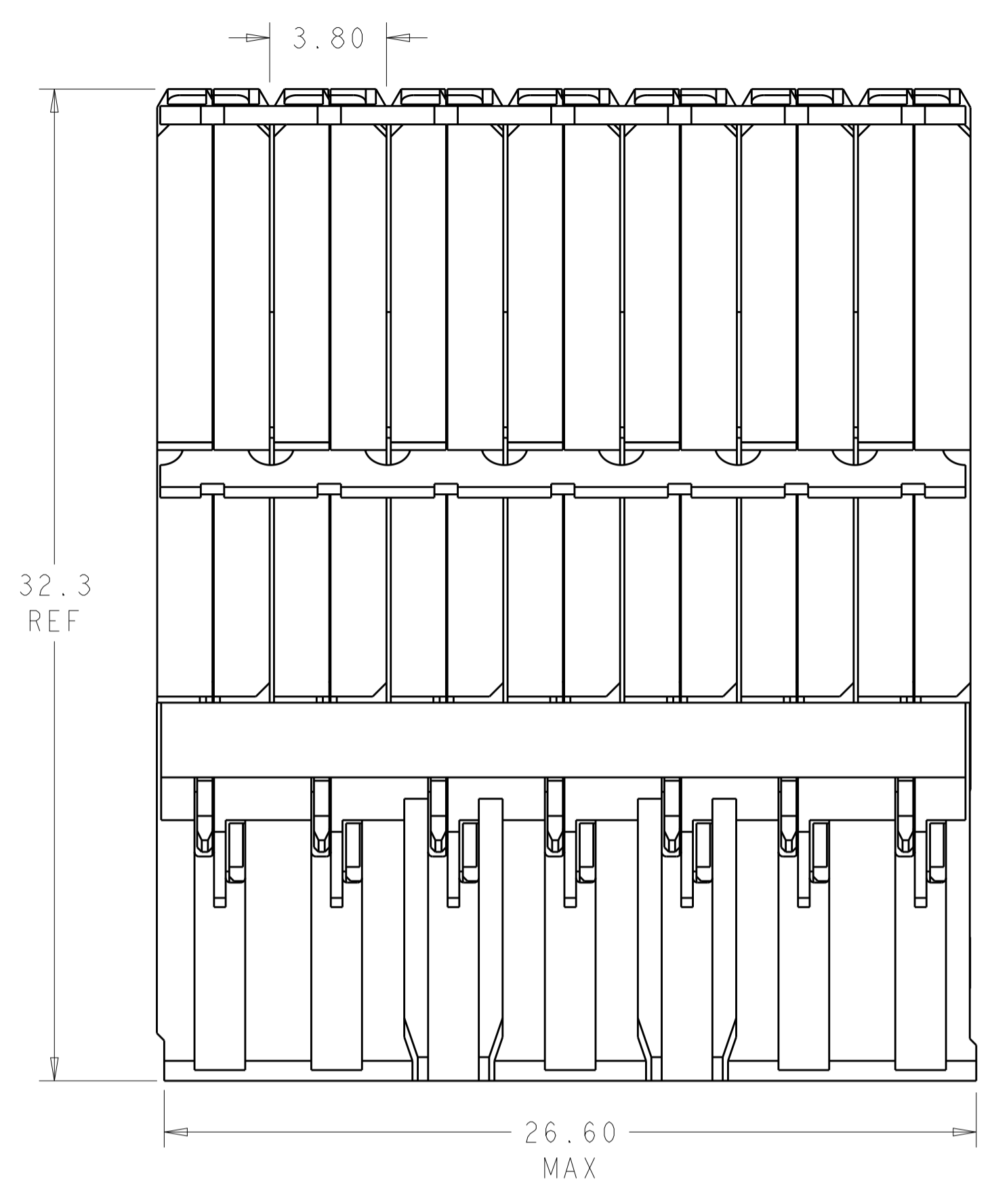
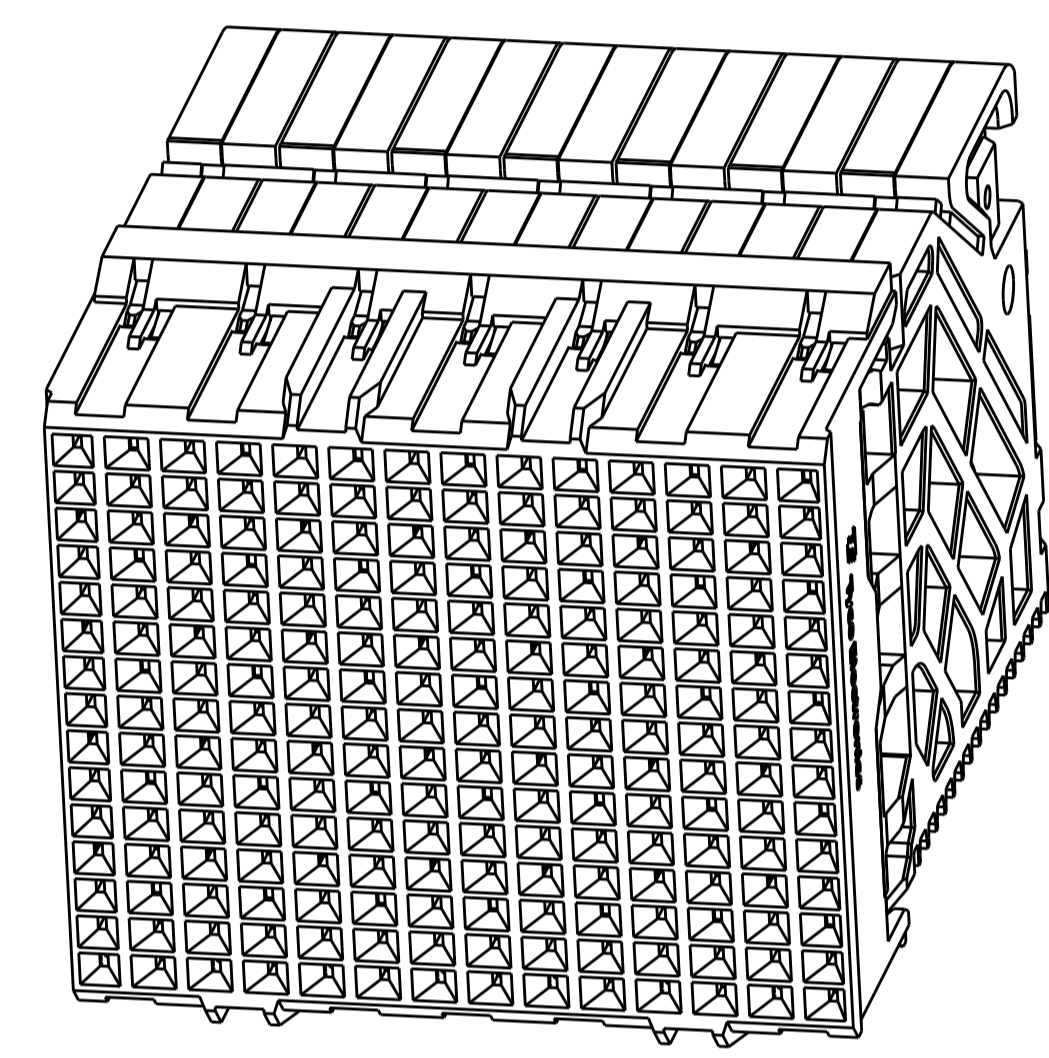


REVISIONS				
P.	LTN	DESCRIPTION	DATE	DWN APVD
	C2	REVISED PER ECO-15-004915	10APR2015	AP DD

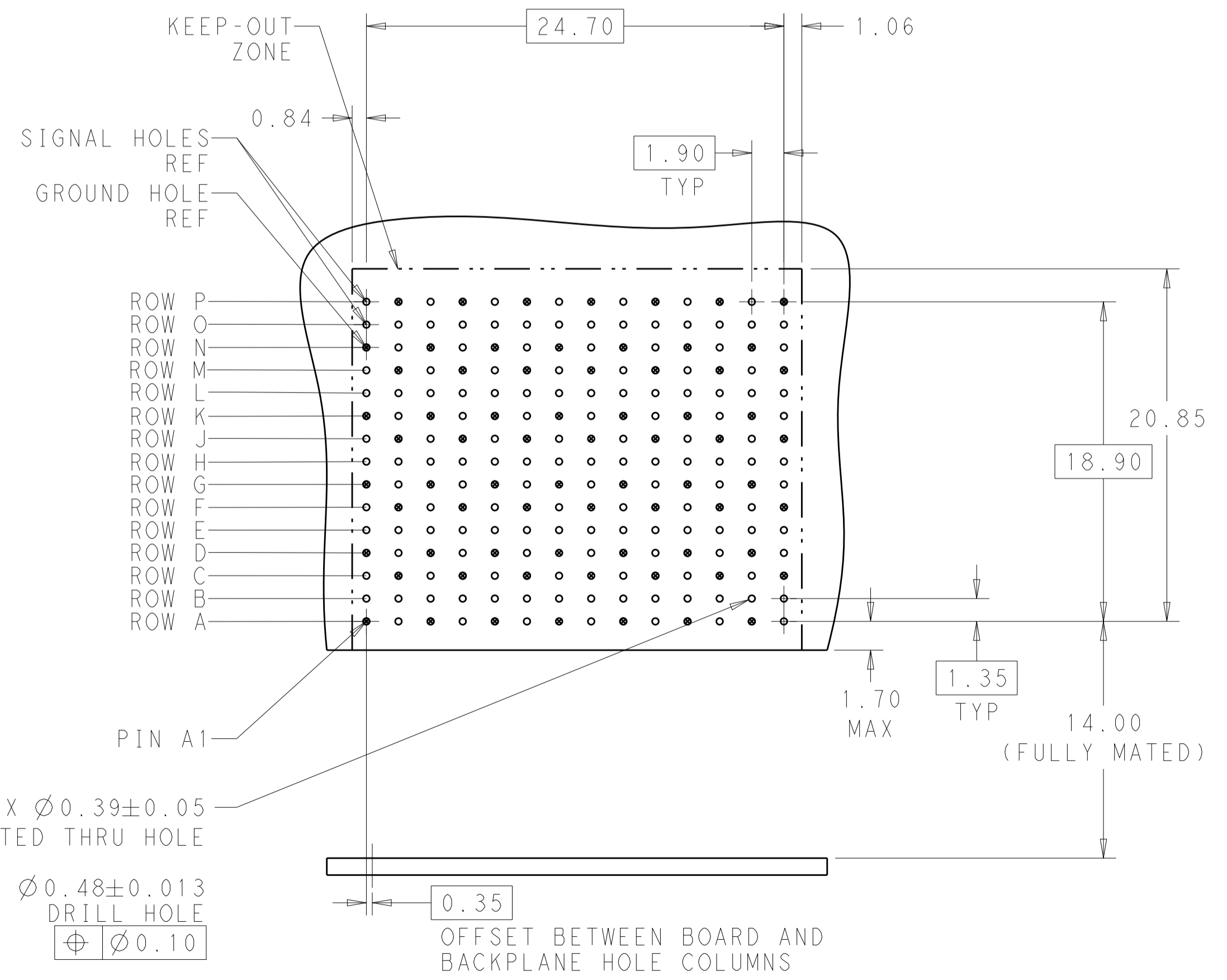
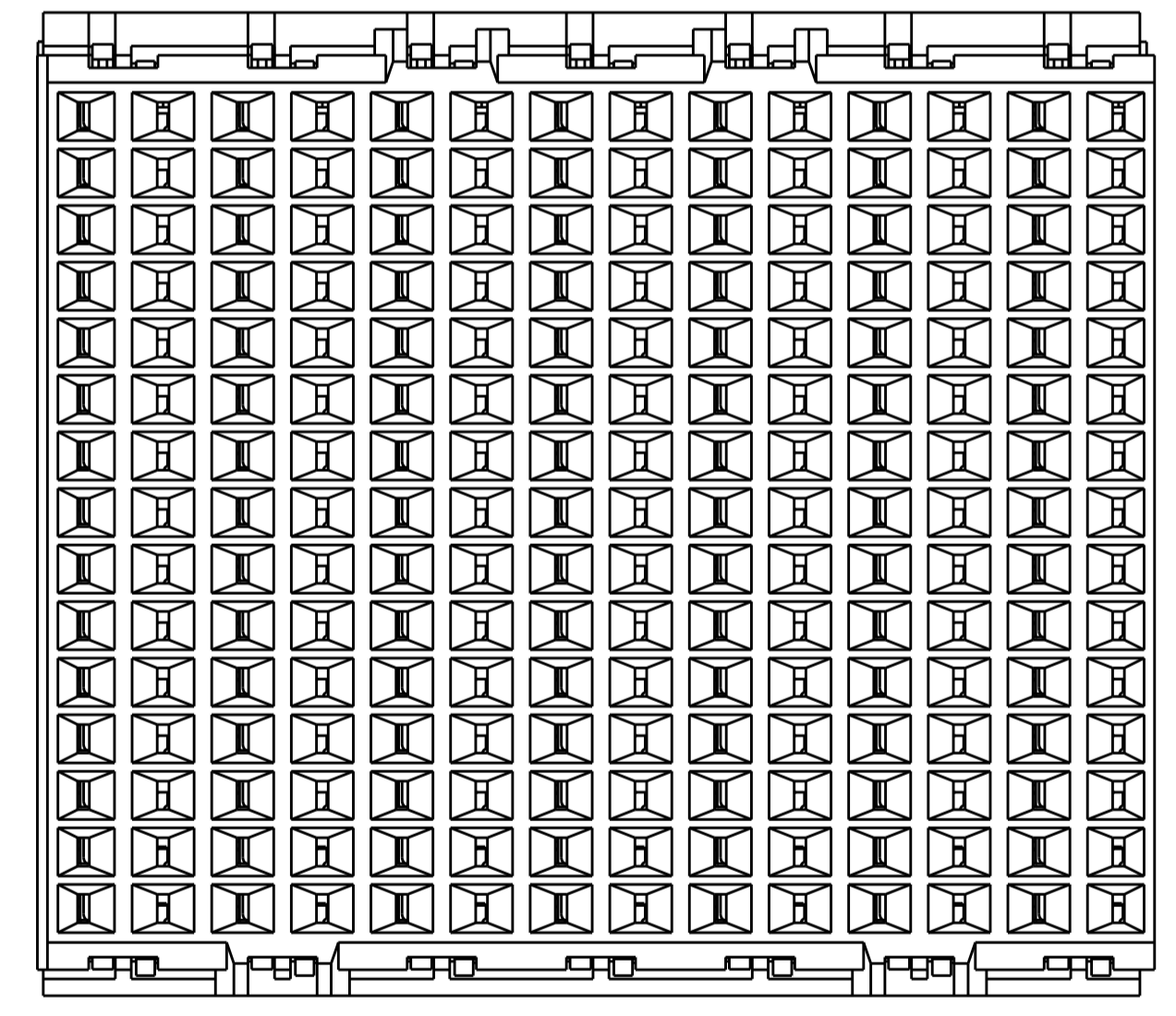


⚠ MATERIAL:  
 HOUSING: LCP, GLASS FILLED, UL94V-0.  
 TERMINALS: HIGH PERFORMANCE COPPER ALLOY.

⚠ FINISH:  
 30µ" SELECTIVE GOLD IN CONTACT AREA. SELECTIVE TIN ON PCB TAILS, NICKEL OVERALL.



SCALE 4:1



210X  $\varnothing 0.39 \pm 0.05$   
 PLATED THRU HOLE

210X  $\varnothing 0.48 \pm 0.013$   
 DRILL HOLE  
 $\varnothing 0.10$

RECOMMENDED PCB LAYOUT  
 MIN BOARD THICKNESS 1.0

REFER TO WWW.TE.COM  
 FOR PRODUCT AVAILABILITY

NONE	⚠	2110118-1
KEY POSITION	FINISH	PART NUMBER

THIS DRAWING IS A CONTROLLED DOCUMENT.		DWN Z. MILLER 17SEP2010		NAME: IMPACT, STD, R/A, 5 PAIR, 14 COLUMN, DAUGHTERCARD, UNGUIDED SIGNAL MODULE, 0.39 EYELET SIZE: CAGE CODE DRAWING NO: A100779C=2110118 RESTRICTED TO:
DIMENSIONS: mm		CHK D. DIXON 17SEP2010		
TOLERANCES UNLESS OTHERWISE SPECIFIED:		APVD D. DIXON 17SEP2010		
0 PLC ± 1 PLC ±0.2 2 PLC ±0.10 3 PLC ± 4 PLC ± ANGLES ±		PRODUCT SPEC: APPLICATION SPEC: WEIGHT: SEE TABLE		
MATERIAL: ⚠		Customer Drawing	SCALE 6:1	SHEET 1 OF 1