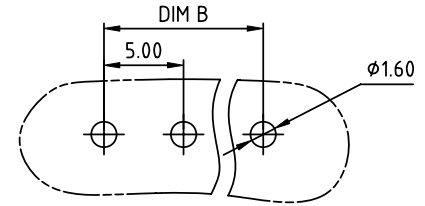
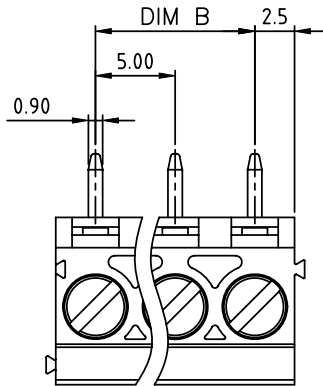
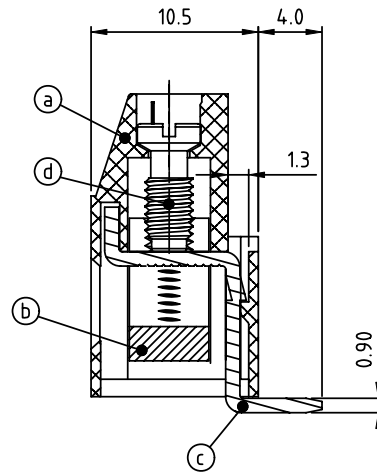
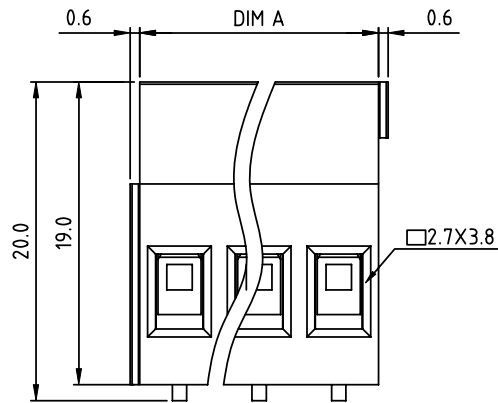


PRODUCT NUMBER	PITCH
VJxx01x300J0G	5.00mm



RECOMMENDED P.C.B LAYOUT
TOP VIEW



Material:

- Item(a) Terminal housing: Thermoplastic (UL 94V-0)
- Item(b) Clamp: Brass Ni plated
- Item(c) Solder pin: Brass Tin plated
- Item(d) Terminal screw: Steel Zinc plating"- "slot type

- | | |
|--|------------------------|
| Electrical cULus | VDE |
| ● Voltage rating: 300VAC | 450V |
| ● Current rating: 20A | 24A |
| ● Wire range : | 0.2-2.5mm ² |
| ● Solid wire(AWG): 12-30 | |
| ● Stranded wire(AWG): 12-30 | |
| ● Torque: 3.5Lb-in | 0.5 N.m |
| ● Screw: M3 | |
| ● Wire strip length: 6-7mm | |
| ● Withstanding Voltage: 1.6KV | 2.5KV |
| ● Operating temperature: -40°C to +115°C | |
| ● Soldering temperature: 260°C±5°C/5 Sec | |
| ● Safety Approval: | cULus VDE |

Dimension A&B

DIM A	N×5.0
DIM B	(N-1)×5.0

N=Number of poles

Poles	DimA&B Tolerance
4P-8P	±0.15
9P-14P	±0.25
15P-20P	±0.35
21P-24P	±0.40

PART NO.: VJ xx 0 1 x 3 00J0 G

- | | | | |
|--------------|---|-------------------|-----------------|
| Solid block | 0 | Black (RAL9005) | RoHS compliant |
| No. of poles | 2 | Red (RAL3001/D) | (lead<4%) |
| 04 4 poles | 3 | Orange(RAL2011/P) | In copper Alloy |
| 05 5 poles | 4 | Yellow(RAL1018/A) | |
| | 5 | Green(RAL6018/T) | |
| 24 24 poles | 6 | Blue (RAL5015/A) | |
| | 8 | Grey(RAL7035/D) | |
| | 9 | White(RAL1102) | |
| | C | Green(RAL6018/U) | |

mat'l. code		surface ASME Y14.5	tolerance ASME Y14.5	projection	product family TERMINAL BLOCK
ltr	ecn no	dr	date	tolerances unless otherwise specified	title TERMINAL BLOCK
				angles X±0.5	scale RISING CLAMP,90D WIRE INLET,SOLID BLOCK
				MM	dwg no VJxx01x300J0G
				X.X±0.3	sheet 1 of 1 size A4
				X.XX±0.1	type CUSTOMER Drawing
		dr	EVIN ZHONG	040914	
		enr	EVIN ZHONG	040914	
		chr	HANKE FENG	040914	
		appd	SHI JUN	040914	
sheet index	revision	A			
	sheet	1			