

NOTES)  
 1. ALL LEADS METAL FITTINGS CO-PLANARITY SHALL BE 0.1mm MAX.  
 2. IS NON-CONDUCTIVE AREA.

RECOMMENDED METAL MASK THICKNESS: 120 μm  
 RECOMMENDED MASK OPENING RATIO: 80% FOR LEAD PAD

7	PS	CLEAR(REINFORCEMENT COLLAR)
6	PS	BLACK(PLASTIC REEL)
5	POLYESTER	CLEAR(COVER TAPE)
4	PS	CLEAR(EMBOSSED CARRIER TAPE)
3	PHOSPHOR BRONZE	CONTACT AREA:GOLD 0.05 μm MIN SMT LEAD:GOLD 0.05 μm MIN UNDERPLATING:NICKEL 1 μm MIN
2	PHOSPHOR BRONZE	CONTACT AREA:GOLD 0.05 μm MIN SMT LEAD:GOLD 0.05 μm MIN UNDERPLATING:NICKEL 1 μm MIN
1	LCP	BLACK, UL94V-0

NO.	MATERIAL	FINISH	REMARKS
7	PS		CLEAR(REINFORCEMENT COLLAR)
6	PS		BLACK(PLASTIC REEL)
5	POLYESTER		CLEAR(COVER TAPE)
4	PS		CLEAR(EMBOSSED CARRIER TAPE)
3	PHOSPHOR BRONZE		CONTACT AREA:GOLD 0.05 μm MIN SMT LEAD:GOLD 0.05 μm MIN UNDERPLATING:NICKEL 1 μm MIN
2	PHOSPHOR BRONZE		CONTACT AREA:GOLD 0.05 μm MIN SMT LEAD:GOLD 0.05 μm MIN UNDERPLATING:NICKEL 1 μm MIN
1	LCP		BLACK, UL94V-0

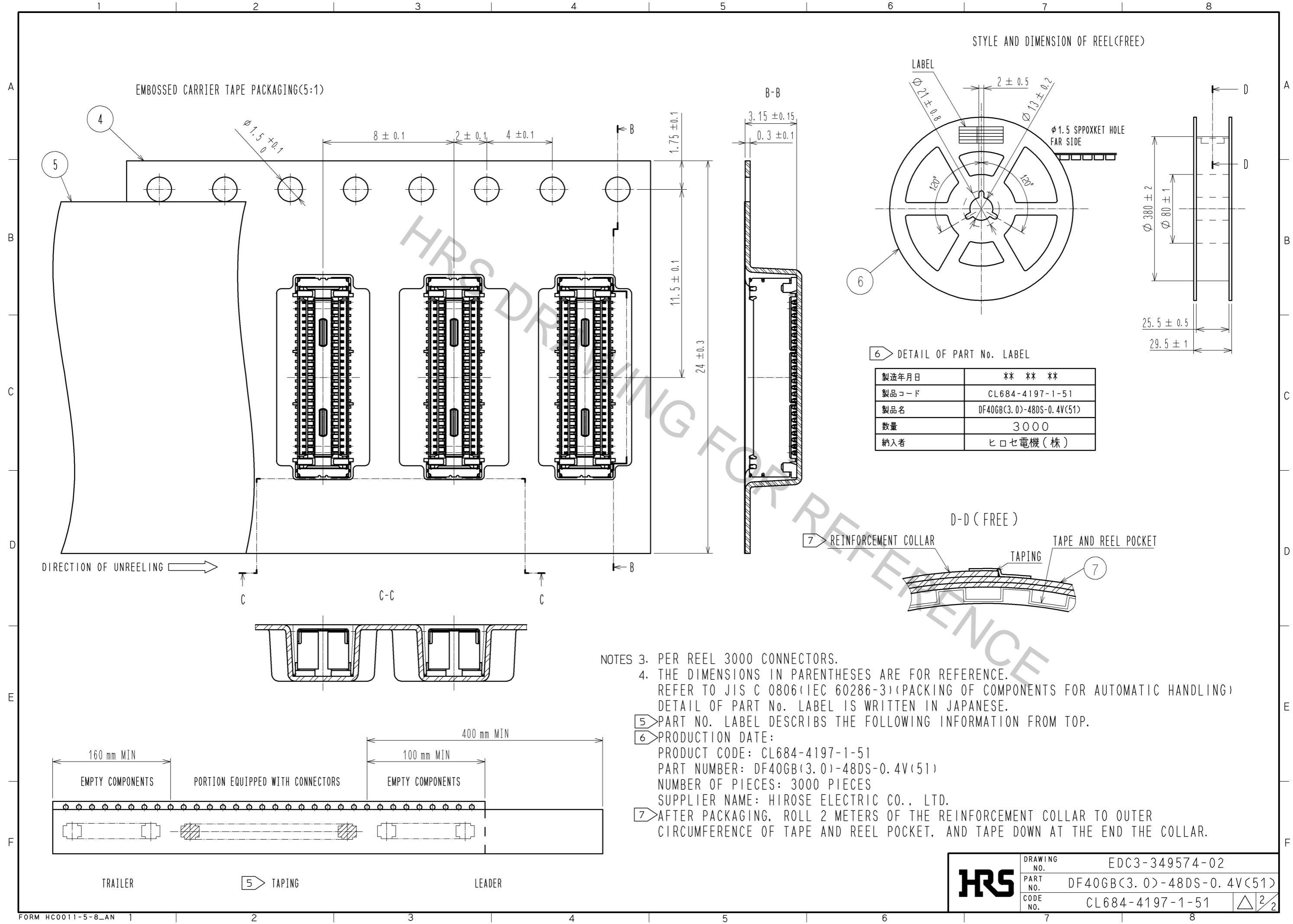
  

UNITS	SCALE	COUNT	DESCRIPTION OF REVISIONS	DESIGNED	CHECKED	DATE
mm	10 : 1	△	APPROVED : KH. IKEDA 13.02.18			
			CHECKED : AR. TAKAHASHI 13.02.16			
			DESIGNED : TY. YAMASAKI 13.02.16			
			DRAWN : KR. AJITO 13.02.16			

DRAWING NO.	EDC3-349574-02
PART NO.	DF40GB(3.0)-48DS-0.4V(51)
CODE NO.	CL684-4197-1-51

Apr.1.2017 Copyright 2017 HIROSE ELECTRIC CO., LTD. All Rights Reserved.



5 TAPING

<b>HRS</b>	DRAWING NO.	EDC3-349574-02	
	PART NO.	DF40GB(3.0)-48DS-0.4V(51)	
	CODE NO.	CL684-4197-1-51	△ 2/2