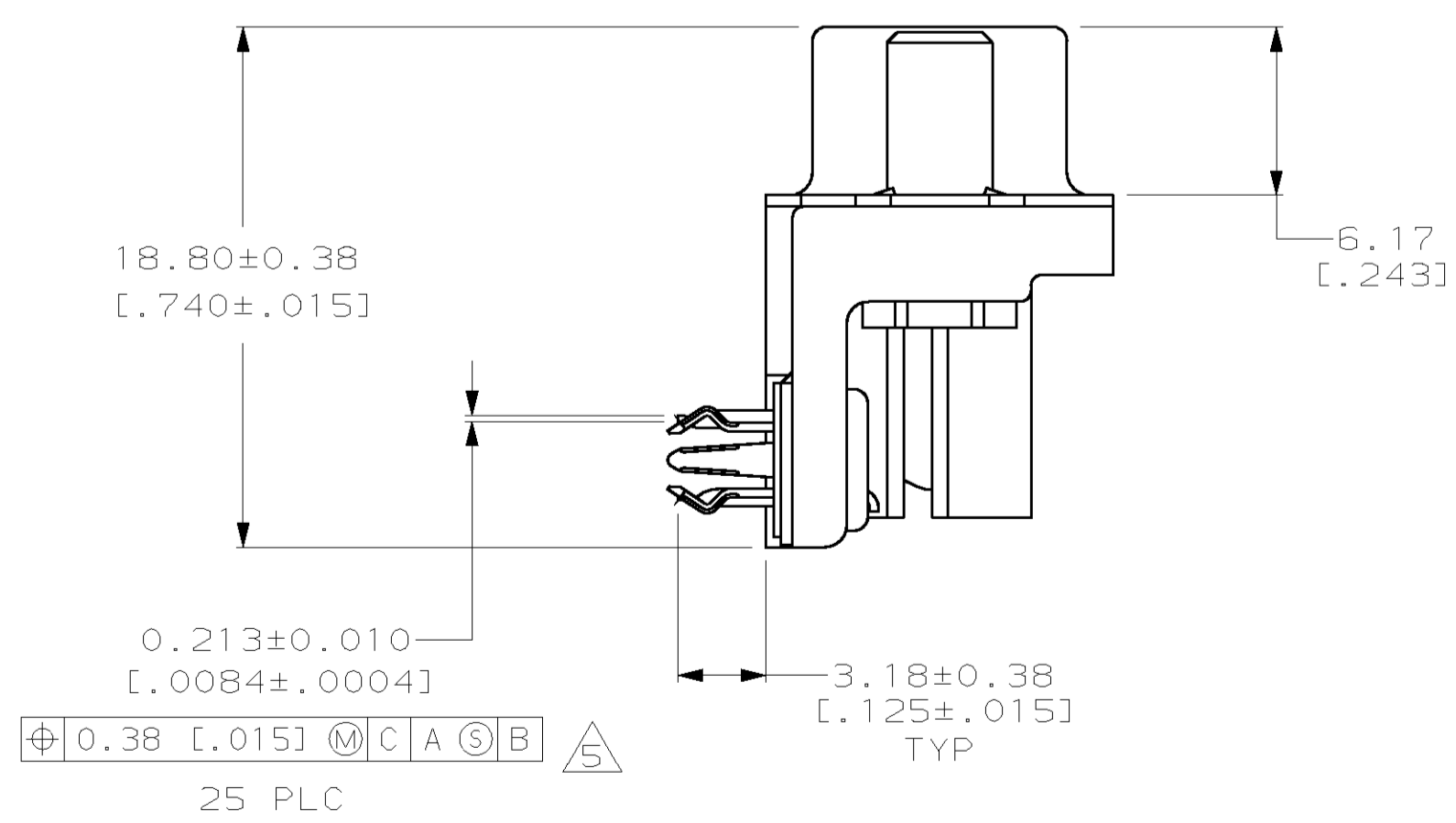
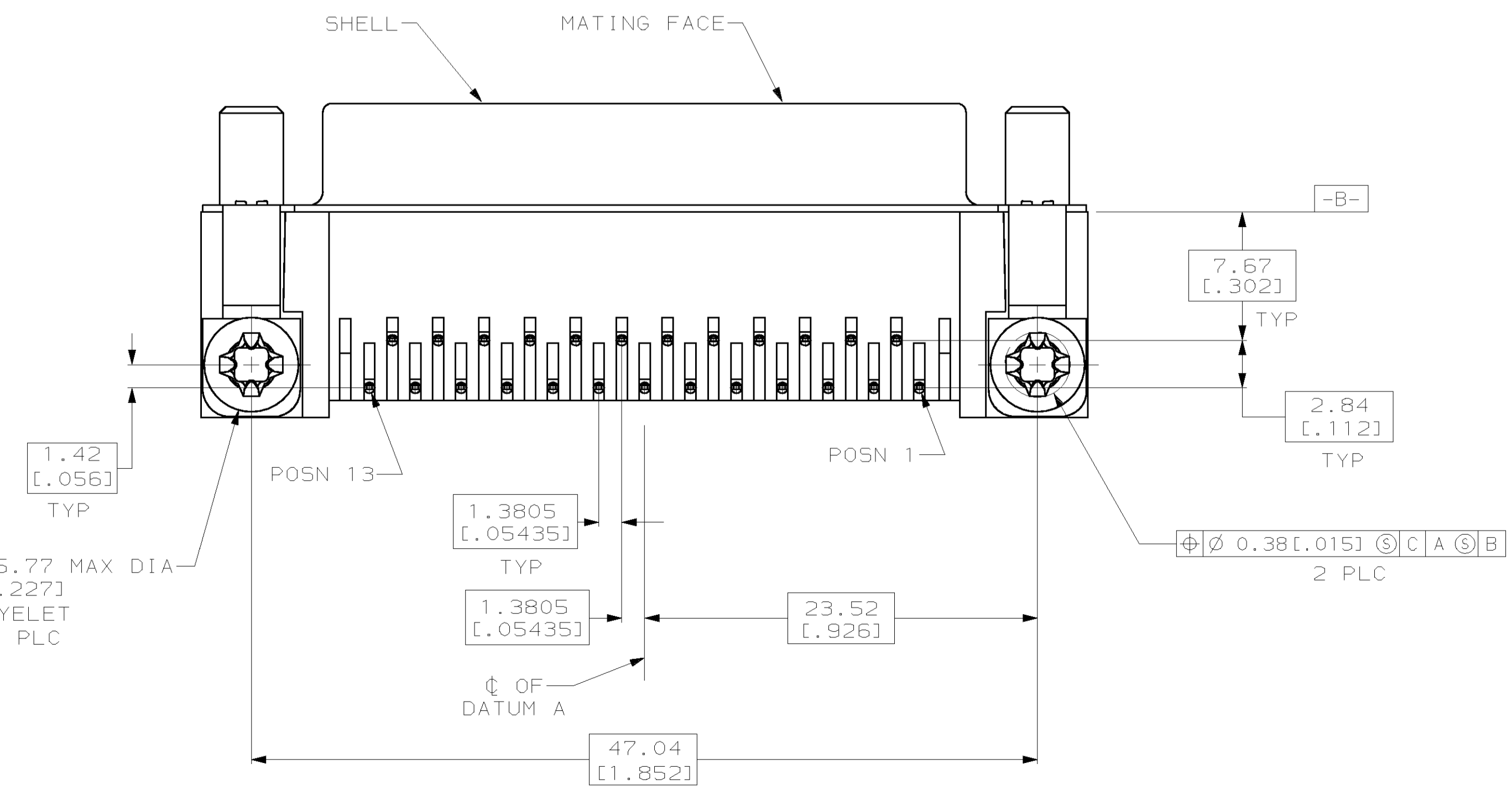
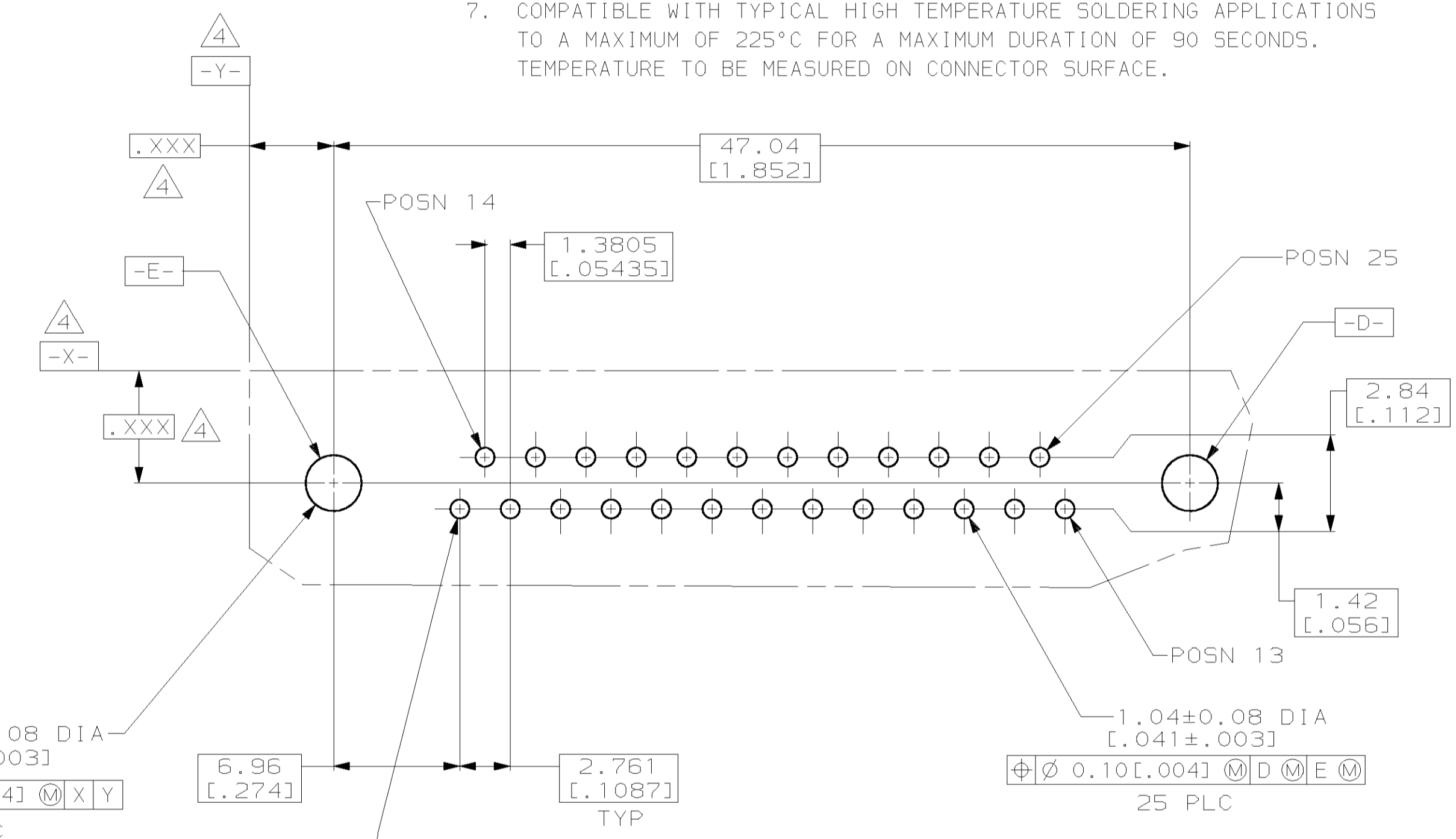
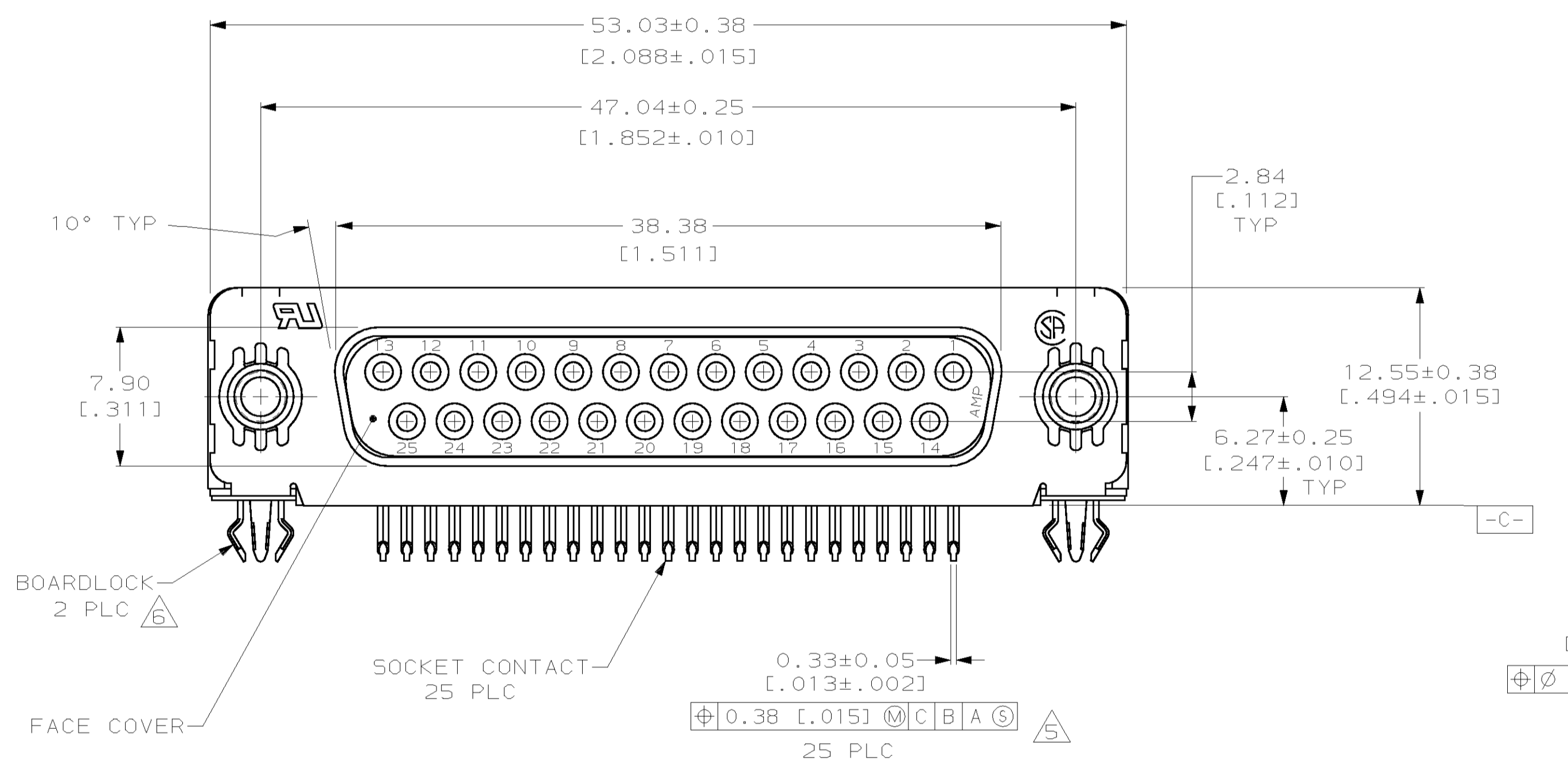
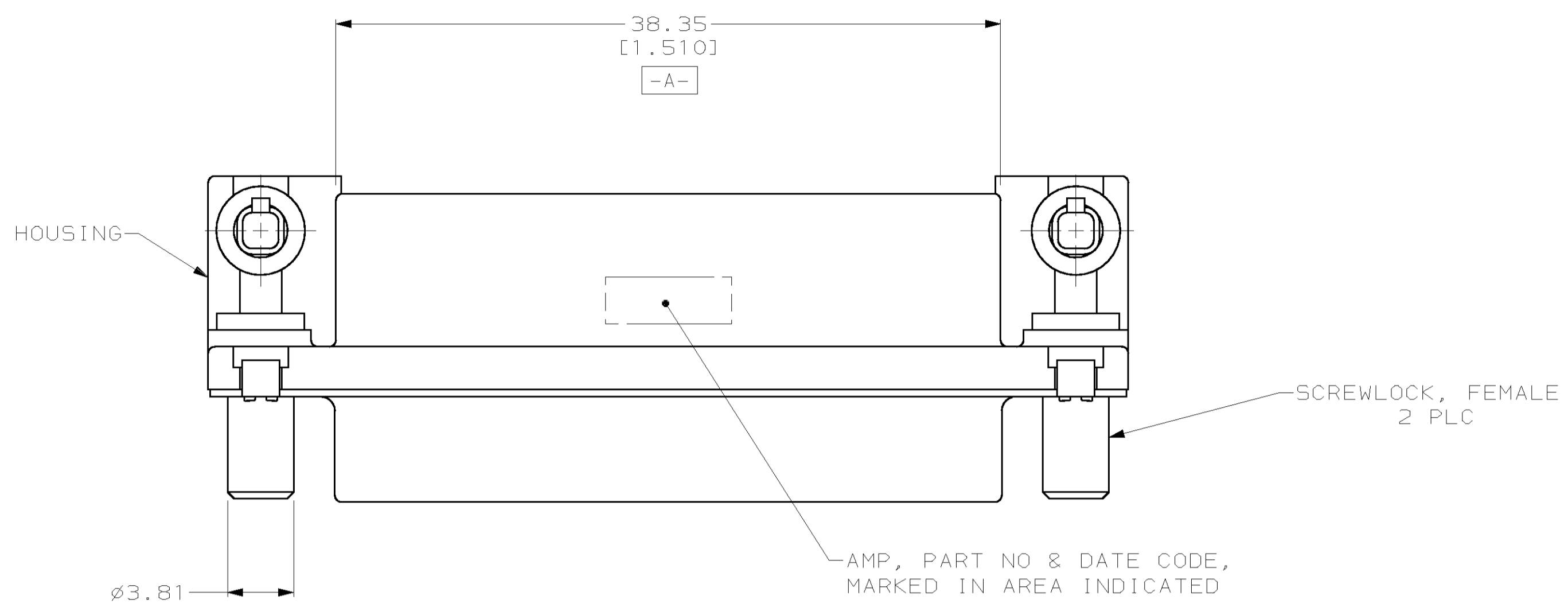


REVOLUTIONS		DATE	BY	APPV
LOC	DIST			
0	0	06 MAR 00	DB	JK
DESCRIPTION				
0 RLSE -1 & -2 PER NPR 222				



- 1 HOUSING & FACE COVER: NYLON, THERMOPLASTIC, UL 94V0 RATED, BLACK; SHELL: CARBON STEEL PER ASTM A109; SOCKET CONTACTS: PHOSPHOR BRONZE; PER QQ-B-750; EYELETS: BRASS; SCREWLOCKS: ZINC; BOARDLOCKS: COPPER ALLOY.
- 2 SOCKET CONTACTS: GOLD PLATED FOR A LENGTH OF 1.27 [1.050] MIN FROM MATING END, 0.76 μ m [1.000030] MIN GOLD IN MATED AREA, 2.54 μ m [1.000100] MIN TIN OR TIN-LEAD FOR A LENGTH OF 3.56 [1.140] MIN FROM OPPOSITE END, BOTH OVER 1.27 μ m [1.000050] MIN NICKEL. EYELETS: 2.54 μ m [1.000100] MIN TIN-LEAD OR TIN OVER COPPER FLASH. SHELL: 2.54 μ m [1.000100] MIN TIN OVER 1.27 μ m [1.000050] MIN COPPER. SCREWLOCKS: CLEAR CHROMATE. BOARDLOCKS: 3.81 μ m [1.000150] MIN TIN-LEAD OVER 1.27 μ m [1.000050] MIN NICKEL.
- 3 SOCKET CONTACTS: GOLD PLATED FOR A LENGTH OF 1.27 [1.050] MIN FROM MATING END, GOLD FLASH IN MATED AREA, 2.54 μ m [1.000100] MIN TIN OR TIN-LEAD FOR A LENGTH OF 3.56 [1.140] MIN FROM OPPOSITE END, BOTH OVER 1.27 μ m [1.000050] MIN NICKEL. EYELETS: 2.54 μ m [1.000100] MIN TIN-LEAD OR TIN OVER COPPER FLASH. SHELL: 2.54 μ m [1.000100] MIN TIN OVER 1.27 μ m [1.000050] MIN COPPER. SCREWLOCKS: CLEAR CHROMATE. BOARDLOCKS: 3.81 μ m [1.000150] MIN TIN-LEAD OVER 1.27 μ m [1.000050] MIN NICKEL.
- 4 DATUMS AND BASIC DIMENSIONS ESTABLISHED BY CUSTOMER.
- 5 POSITION TOLERANCE APPLIES AT CONTACT TIP.
- 6 BOARDLOCKS WILL ACCEPT .062 MAX PRINTED CIRCUIT BOARD THICKNESS.
- 7. COMPATIBLE WITH TYPICAL HIGH TEMPERATURE SOLDERING APPLICATIONS TO A MAXIMUM OF 225°C FOR A MAXIMUM DURATION OF 90 SECONDS. TEMPERATURE TO BE MEASURED ON CONNECTOR SURFACE.

788801-2	FINISH
788801-1	PART NO

DIMENSIONS: mm (INCHES) 0 PLC ±. 1 PLC ±. 2 PLC ±0.13 [1.005] 3 PLC ±. 4 PLC ±. UNLESS OTHERWISE SPECIFIED.		TOLERANCES UNLESS OTHERWISE SPECIFIED: 0 PLC ±. 1 PLC ±. 2 PLC ±0.13 [1.005] 3 PLC ±. 4 PLC ±. UNLESS OTHERWISE SPECIFIED.	
MATERIAL FINISH SEE TABLE		WEIGHT CUSTOMER DRAWING	

AMP Incorporated
 Harrisburg, PA 17105-3608
OBsolete
NOT THE LATEST REVISION