

THE INFORMATION CONTAINED HEREIN IS CONSIDERED 'PROPRIETARY' TO BEL FUSE INC. AND SHALL NOT BE COPIED, REPRODUCED OR DISCLOSED WITHOUT THE WRITTEN APPROVAL OF BEL FUSE INC.

LED1 POLARITY			LED2 POLARITY		
PIN 17	PIN 18	COLOR	PIN 19	PIN 20	COLOR
-	+	YELLOW	-	+	GREEN
			+	-	ORANGE

RoHS



ELECTRICAL CHARACTERISTICS @ 25°C

URNS RATIO

TP1	1CT : 1CT ±2%
TP2	1CT : 1CT ±2%
TP3	1CT : 1CT ±2%
TP4	1CT : 1CT ±2%

OCL @ 100kHz, 20mVRMS AND 24mA DC BIAS FROM 0°C TO 70°C = 350µH MIN:

PAIRS (1-2), (3-6), (4-5) AND (7-8).

INS. LOSS

0.1MHz TO 1MHz	-0.8 dB MAX
1MHz TO 65MHz	-0.6 dB MAX
65MHz TO 100MHz	-1.2 dB MAX
100MHz TO 125MHz	-1.7 dB MAX

RET. LOSS (MIN)

0.5MHz-40MHz	-18 dB
40MHz-100MHz	-12+20LOG(f/80MHz) dB

CROSS TALK

100kHz - 1MHz	-60dB MIN
1MHz - 100MHz	-30dB MIN

CM TO CM REJ

100kHz - 100MHz	-30 dB MIN.
-----------------	-------------

CM TO DM REJ

100kHz - 100MHz	-25dB MIN.
-----------------	------------

HIPOUT (Isolation Voltage): 2250 VDC

100% OF PRODUCTION TESTED TO COMPLY WITH IEEE 802.3 ISOLATION REQUIREMENTS.

LED 1

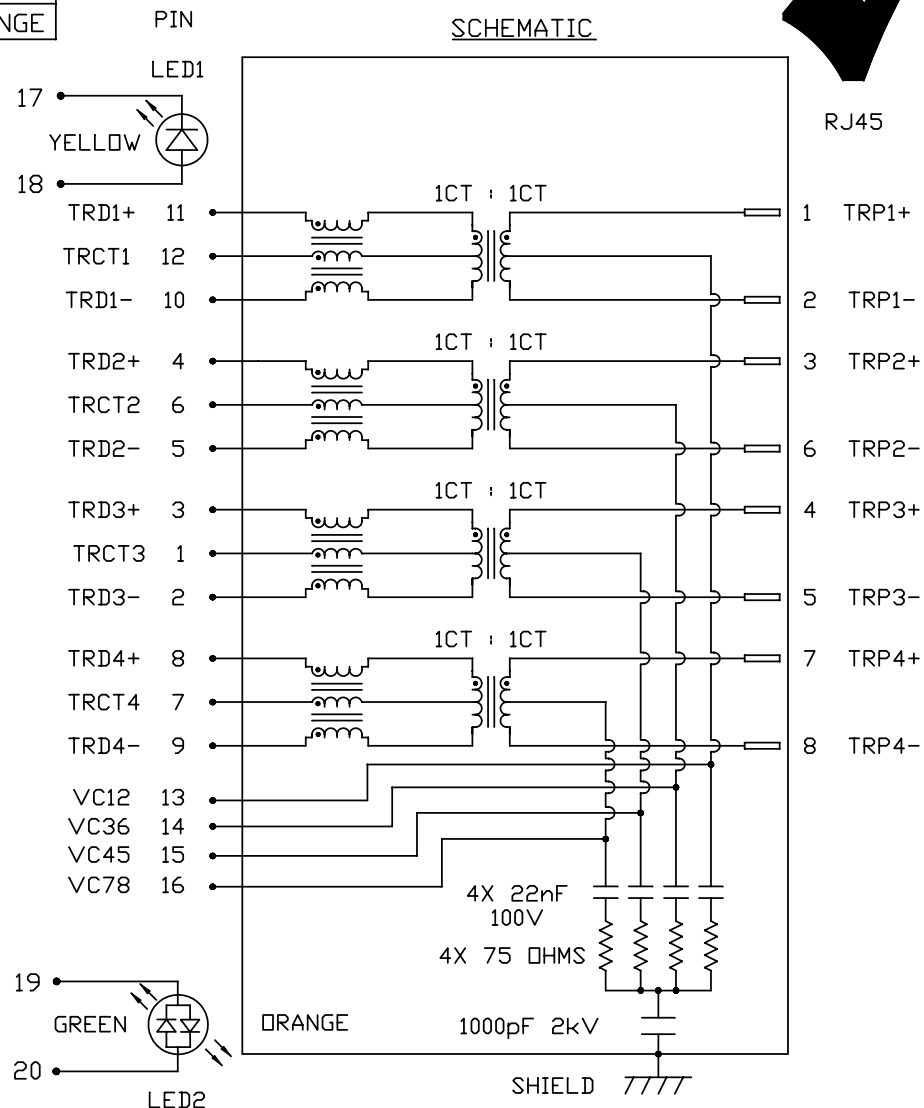
VF (FORWARD VOLTAGE)	IF=20mA	YELLOW	2.1V TYP.
λD (DOMINANT WAVELENGTH)	IF=20mA	YELLOW	590nm TYP.

LED 2

VF (FORWARD VOLTAGE)	IF=20mA	GREEN	2.2V TYP.
		ORANGE	2.0V TYP.
λD (DOMINANT WAVELENGTH)	IF=20mA	GREEN	565nm TYP.
		ORANGE	610nm TYP.

DCR PINS CABLE SIDE (1-2), (3-6), (4-5) AND (7-8): 1.0 OHMS MAX.

BALANCED DC LINE CURRENT 700 mA MAX. @ 57 VDC CONTINUOUS
1.2A MAX. @ 57 VDC FOR 200 MILLISECONDS



ORIGINATED BY	DATE
CHOW WANCHUNG	2012-07-26
DRAWN BY	DATE
TAN QIGUANG	2012-07-26

TITLE
gigabit MagJack® with PoE PATENTED

PART NO. / DRAWING NO.
0838-1X1T-W7
FILE NAME
0838-1X1T-W7_C.DWG

STANDARD DIM. TOL. IN INCH
.X
.XX
.XXX

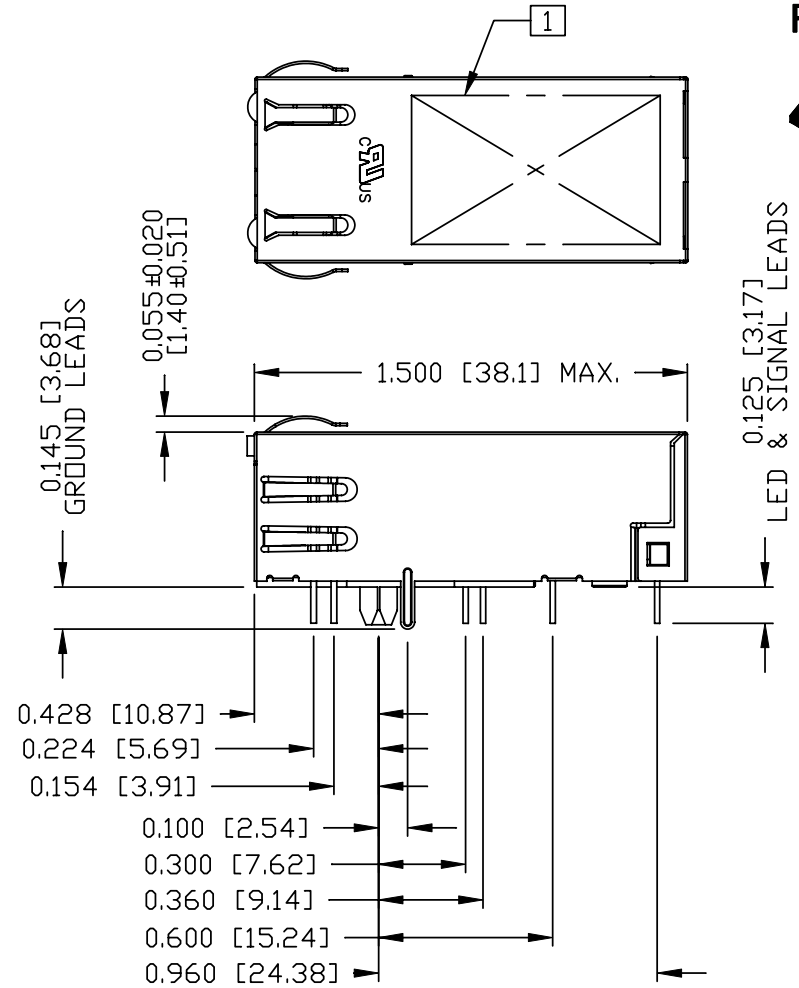
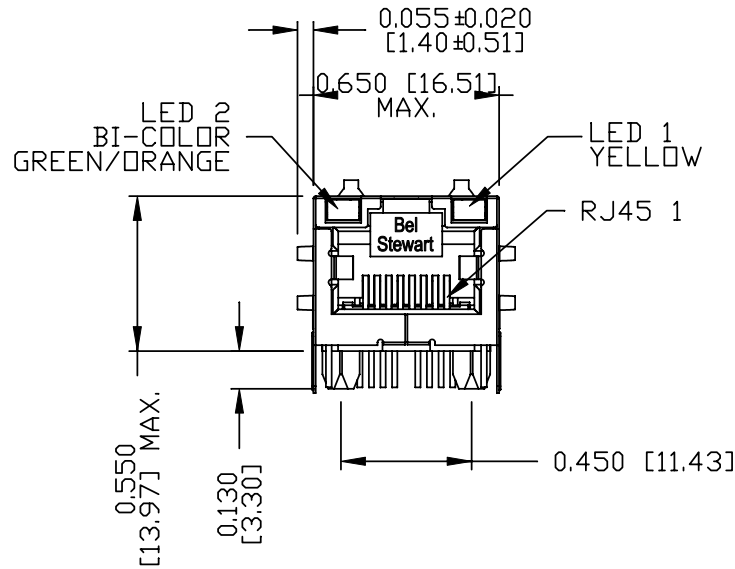
[] METRIC DIM. AS REFERENCE
UNIT : INCH [mm]
SCALE : N/A
REV. : C
SIZE : A4
PAGE : 2



THE INFORMATION CONTAINED HEREIN IS CONSIDERED "PROPRIETARY" TO BEL FUSE INC. AND SHALL NOT BE COPIED, REPRODUCED OR DISCLOSED WITHOUT THE WRITTEN APPROVAL OF BEL FUSE INC.

MECHANICAL SPECIFICATION

RoHS



NOTES:

- PLASTIC HOUSING: THERMOPLASTIC PBT, FLAMMABILITY RATING UL 94V-0.
- CONTACTS: 50 MICRO-INCH HARD GOLD PLATING OR EQUIVALENT.
- OUTPUT PINS: TIN-COATED COPPER WIRE, DIA 0.018 INCH.
- METAL SHIELD: NICKEL PLATED ON COPPER ALLOY.
- (ALL GROUND LEADS ARE SOLDER DIPPED)

1. MARK PART WITH MFG LOGO, MFG NAME, PART NUMBER, DATE CODE AND PATENTED.

2. THE PRODUCT IS RoHS COMPLIANT.

JACK CAVITY CONFORMS TO FCC RULES AND REGULATIONS.
 3. THE PRODUCT IS PATENT PRODUCT. THE PATENT NUMBER ARE U.S. PAT. 5,736,910 AND U.S. PAT. 6,840,817 AND U.S. PAT. 7,123,117.

ORIGINATED BY ANTON LIAD	DATE 2012-07-26	TITLE gigabit MagJack® with PoEp PATENTED	PART NO. / DRAWING NO. 0838-1X1T-W7	STANDARD DIM. TOL. IN INCH		[] METRIC DIM. AS REFERENCE		bel COMPONENTS FOR A CONNECTED PLANET
				.X		UNIT : INCH [mm]	REV. : C	
DRAWN BY HE ZHEN	DATE 2012-07-26		FILE NAME 0838-1X1T-W7_C.DWG	.XX		SCALE : N/A	SIZE : A4	PAGE : 3
				.XXX	±0.010			

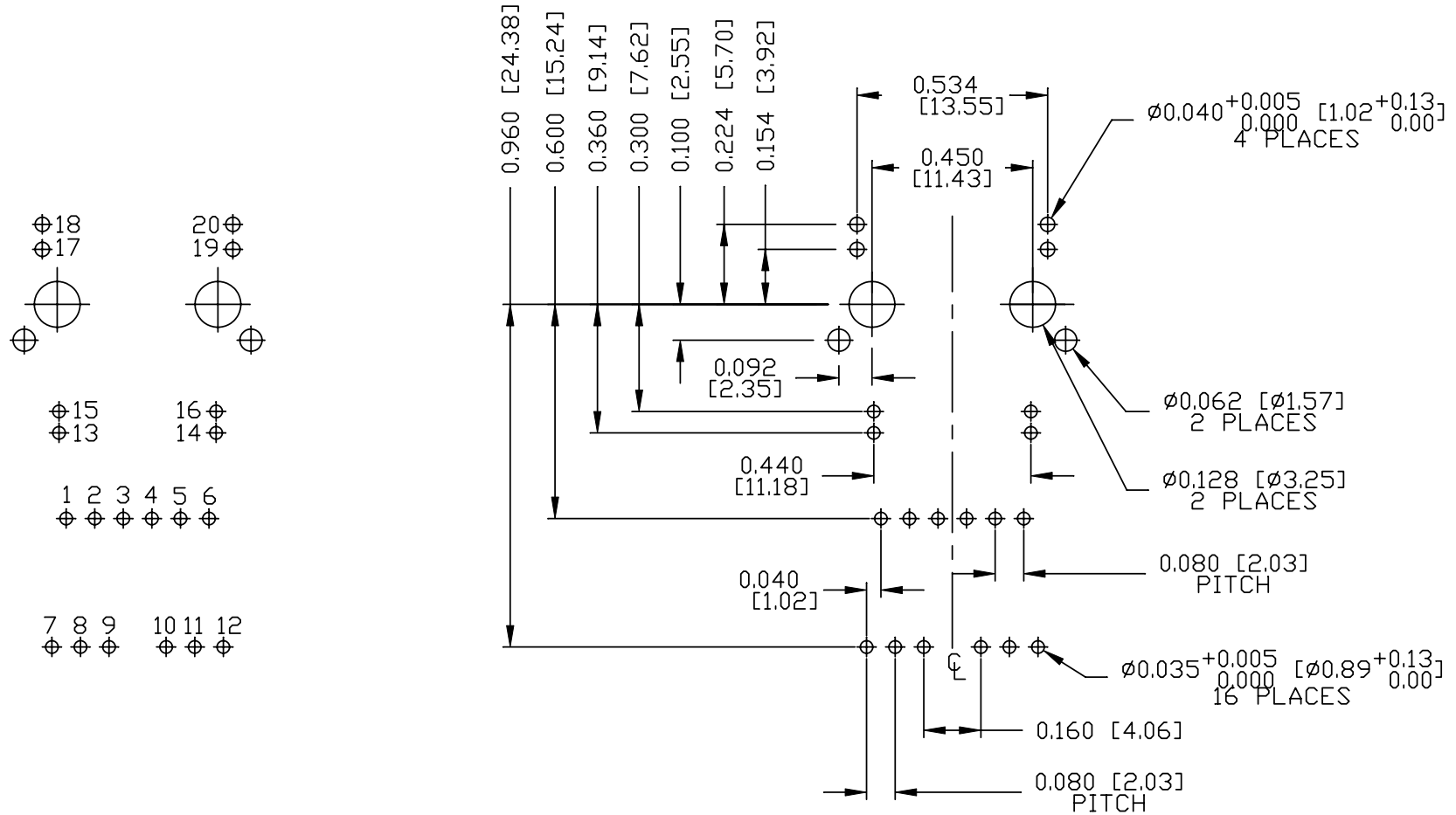
THE INFORMATION CONTAINED HEREIN IS CONSIDERED "PROPRIETARY" TO BEL FUSE INC. AND SHALL NOT BE COPIED, REPRODUCED OR DISCLOSED WITHOUT THE WRITTEN APPROVAL OF BEL FUSE INC.

RECOMMENDED PCB FOOTPRINT

RoHS



COMPONENT SIDE VIEW



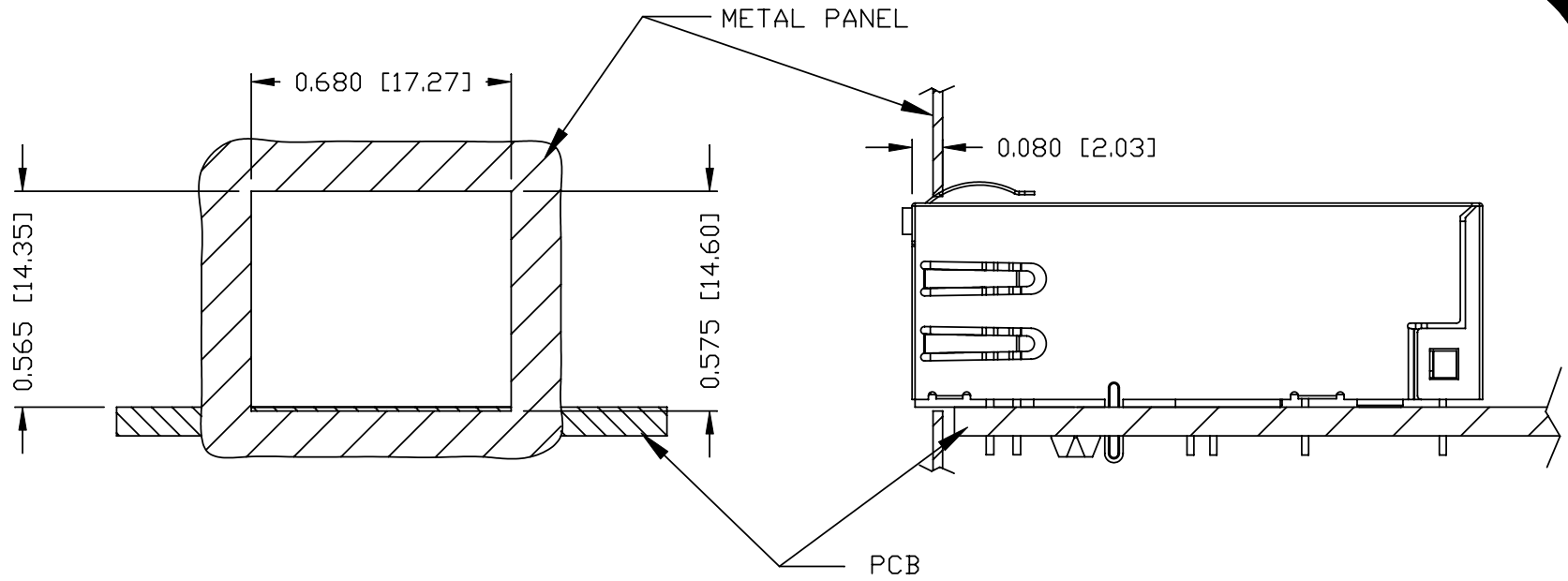
ORIGINATED BY ANTON LIAO	DATE 2012-07-26	TITLE gigabit MagJack® with PoEp PATENTED	PART NO. / DRAWING NO. 0838-1X1T-W7		STANDARD DIM. TOL. IN INCH		[] METRIC DIM. AS REFERENCE		bel COMPONENTS FOR A CONNECTED PLANET
			FILE NAME 0838-1X1T-W7_C.DWG		.X .XX .XXX	± 0.004	UNIT : INCH [mm] SCALE : N/A	REV. : C SIZE : A4 PAGE : 4	
DRAWN BY HE ZHEN	DATE 2012-07-26								

THE INFORMATION CONTAINED HEREIN IS CONSIDERED "PROPRIETARY" TO BEL FUSE INC. AND SHALL NOT BE COPIED, REPRODUCED OR DISCLOSED WITHOUT THE WRITTEN APPROVAL OF BEL FUSE INC.

RoHS



SUGGESTED PANEL OPENING



NOTE:

THE DISTANCE OF PANEL INSIDE SURFACE RELATIVE TO FRONT SURFACE OF PART IS ONLY A SUGGESTION. IN CASE THIS DISTANCE IS DIFFERENT, THE REQUIRED PANEL OPENING DIMENSIONS CHANGE ACCORDINGLY.

PACKING INFORMATION

PACKING TRAY : 0200-9999-R3 (TOP)
0200-9999-R4 (BOTTOM)

PACKING QUANTITY : 42 PCS FINISHED GOODS PER TRAY
10 TRAYS (420 PCS FINISHED GOODS) PER CARTON BOX

NOTE : CARDBOARDS ARE PLACED BETWEEN LAYERS OF PACKING TRAY INSIDE CARTON BOX
(INCLUDE THE UPPERMOST AND LOWERMOST TRAY)

ORIGINATED BY ANTON LIAO	DATE 2012-07-26	TITLE gigabit MagJack® with PoE PATENTED	PART NO. / DRAWING NO. 0838-1X1T-W7		STANDARD DIM. TOL. IN INCH		[] METRIC DIM. AS REFERENCE		bel COMPONENTS FOR A CONNECTED PLANET
			FILE NAME 0838-1X1T-W7_C.DWG		.X		UNIT : INCH [mm]	REV. : C	
DRAWN BY HE ZHEN	DATE 2012-07-26				.XX		SCALE : N/A	SIZE : A4	
					.XXX	±0.004		PAGE : 5	