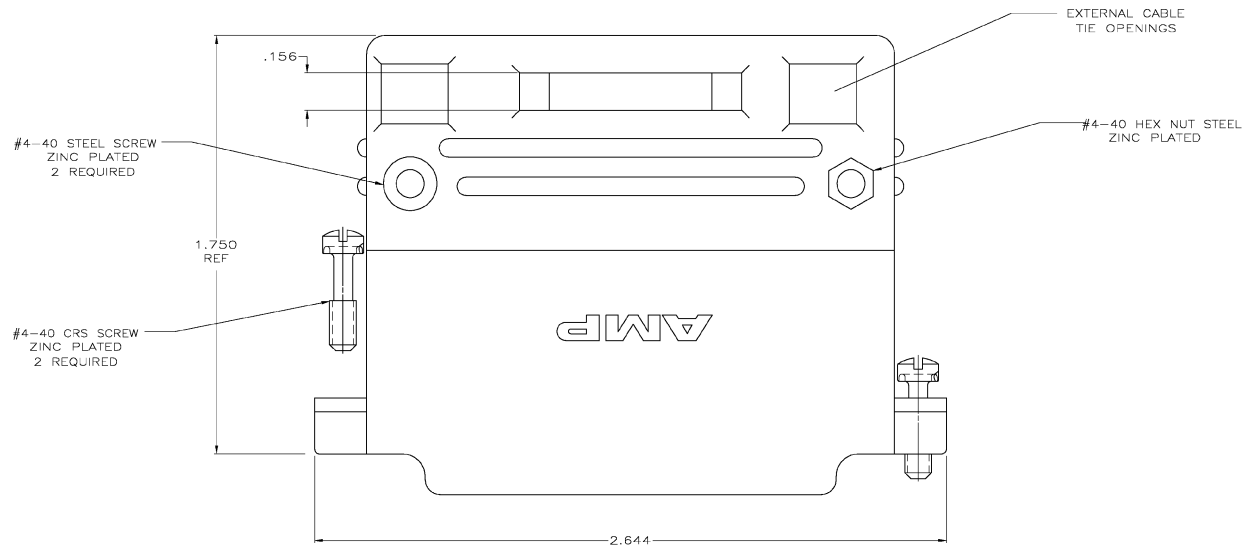
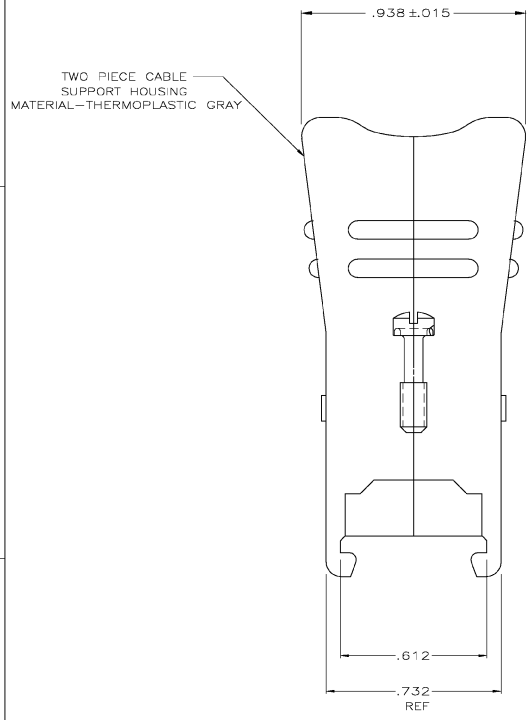
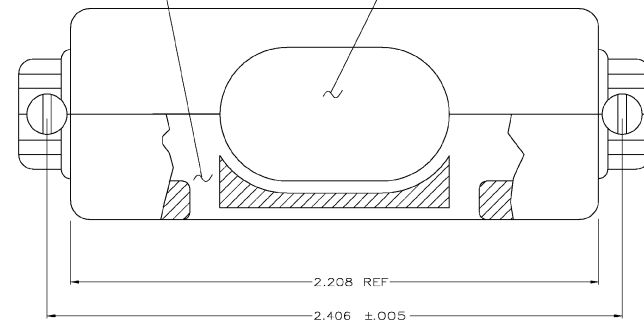


REV	DATE	DESCRIPTION	DATE	BY	APP
GP 00					
C		REVISED PER EC 0513-0512-03		OSWALD	BM JGG

- 1 THIS PART WILL FIT ANY SIZE 5 PLUG OR RECEPTACLE IN THE AMPLIMITE SERIES CONNECTOR.
- 2 ALL PARTS ARE PACKAGED UNASSEMBLED.
- ⚠ ONE KIT PER POLY BAG.
- ⚠ SAME AS -1 EXCEPT BULK PACKAGED.

INTERNAL CABLE TIE OPENINGS

CABLE OPENING OF .471 SQUARE INCHES=.775 DIA



OBSELETE	⚠	745082-2
	⚠	745082-1
PACKAGING		PART NUMBER

THIS DRAWING IS A CONTROLLED DOCUMENT.		DRW: MCMMASTER	DESIGNER: OSWALD	Tyco Electronics Corporation Harrisburg, Pa 17105-3608	
DIMENSIONS IN INCHES		CHK: RICHIE	DRWGR: OSWALD	Electronics	
OTHER UNITS: NONE		APP: WALMSLEY	CHK: OSWALD	CABLE SUPPORT ASSEMBLY, SIZE 5, 50 POSN, 90 DEGREES/180 DEGREES, AMPLIMITE® HD-20	
MATERIAL: SEE CALLOUT		FINISH: SEE CALLOUT	RESIST: --	SIZE: A1	ONE SIZE: C=745082
		CUSTOMER DRAWING		SCALE: 4:1	SHEET: 1 OF 1