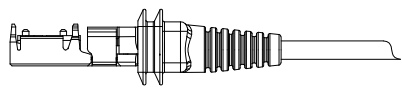
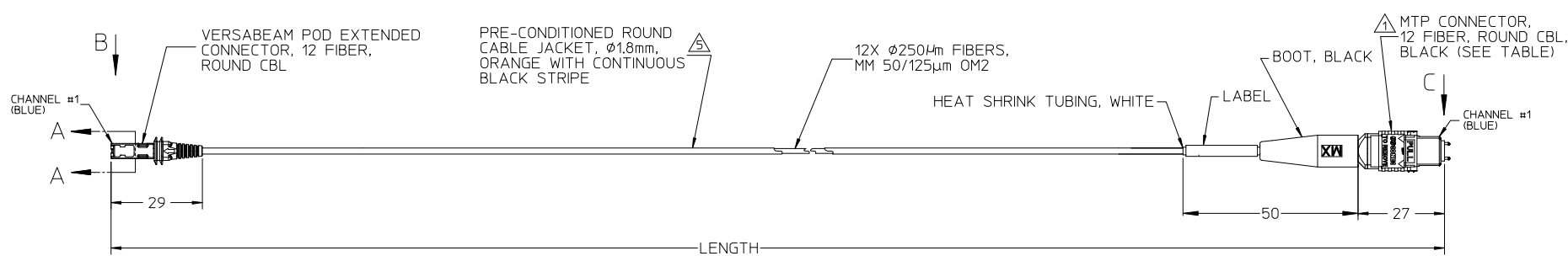
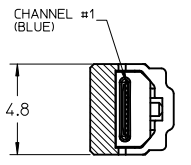


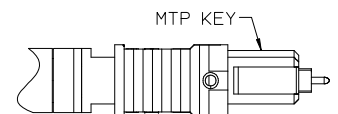
MOLEX P/N	LENGTH m	MTP CONN. TYPE
106267-3000	0.30 +0.10/-0	MALE
106267-3001		FEMALE
106267-3002	1.00 +0.20/-0	MALE
106267-3003		FEMALE



VIEW B
SCALE 2.5:1



SECTION A-A
SCALE 5:1



VIEW C
SCALE 2.5:1

- NOTES:
- DUST CAPS ARE NOT SHOWN BUT INCLUDED. MALE CONNECTOR IS SHOWN. FEMALE CONNECTOR DOES NOT CONTAIN PINS.
 - LABEL IS PRINTED WITH MOLEX NAME, MOLEX P/N AND SERIAL NUMBER.
 - INSERTION LOSS @ 850nm TO AN INTERPOSER: 2.0 dB. THROUGHPUT LOSS (MTP+VERSABEAM POD): 1.2dB. TEST DATA IS SENT WITH JUMPER.
 - ALL EXPOSED MATERIALS MEET UL94 V-0. CABLE RATING - OFNG-LS.
 - TO PREVENT FIBER TWIST DURING INSTALLATION, USE BLACK STRIPE ON JACKET AS A REFERENCE OF THE CABLE/FIBER ORIENTATION.
 - THE 1.8mm JACKET IS FOR FIBER PROTECTION FOR ON-BOARD APPLICATIONS. THE TRANSITION FROM THE MTP TO 1.8mm CABLE ACTS AS A BEND LIMITER AND DOES NOT PROVIDE MECHANICAL STRAIN RELIEF.

ENTER DESCRIPTION EC NO: MF2012-0408 DRW: KPEVZNER 2012/02/22 CHKD: IJUMIN APPR: IJUMIN 2012/02/23	QUALITY SYMBOLS ▽=0 ▽=0	GENERAL TOLERANCES (UNLESS SPECIFIED)		DIMENSION STYLE MM ONLY	SCALE 1:1	DESIGN UNITS INCH	THIRD ANGLE PROJECTION														
		<table border="1"> <thead> <tr> <th></th> <th>mm</th> <th>INCH</th> </tr> </thead> <tbody> <tr> <td>4 PLACES</td> <td>± ---</td> <td>± ---</td> </tr> <tr> <td>3 PLACES</td> <td>± ---</td> <td>± ---</td> </tr> <tr> <td>2 PLACES</td> <td>± ---</td> <td>± ---</td> </tr> <tr> <td>1 PLACE</td> <td>± ---</td> <td>± ---</td> </tr> </tbody> </table>		mm	INCH	4 PLACES	± ---	± ---	3 PLACES	± ---	± ---	2 PLACES	± ---	± ---	1 PLACE	± ---	± ---	DRAWN BY: KPEVZNER DATE: 2012/02/22	TITLE 1.8MM VERSABEAM POD TO MTP MM50UM 12F ROUND CABLE JUMPER		
			mm	INCH																	
		4 PLACES	± ---	± ---																	
3 PLACES	± ---	± ---																			
2 PLACES	± ---	± ---																			
1 PLACE	± ---	± ---																			
APPROVED BY: IJUMIN DATE: 2012/02/23	MATERIAL NO. SEE TABLE			DOCUMENT NO. SD-106267-3000		SHEET NO. 1 OF 1															
DRAFT WHERE APPLICABLE MUST REMAIN WITHIN DIMENSIONS		THIS DRAWING CONTAINS INFORMATION THAT IS PROPRIETARY TO MOLEX INCORPORATED AND SHOULD NOT BE USED WITHOUT WRITTEN PERMISSION																			