

1

2

3

4

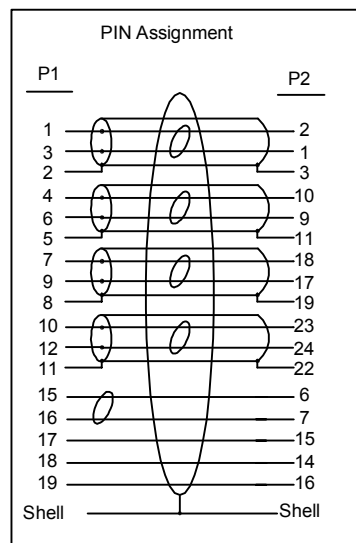
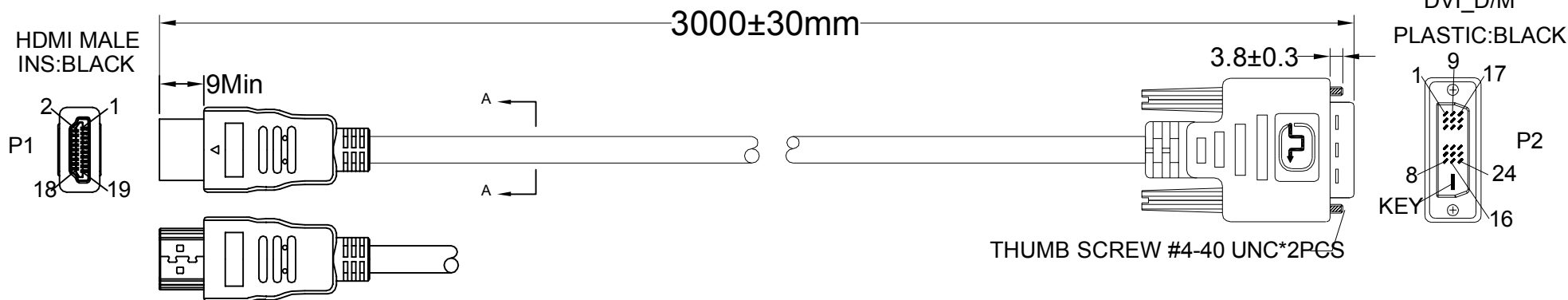
5

6

7

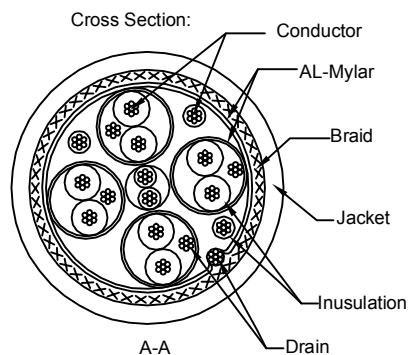
Signature	Revision History	Date	Rev.
Sean	For Bulk Production	Jul.09,2014	01

RoHS Compliant



NOTE:

- CABLE:UL20276 [30AWG(7/0.10T.C)*1P INS:FOAM-SKIN-PE+D.W(7/0.127T.C)+AL/MY]*4C +28AWG(7/0.127T.C)*1P INS:HD-PE+30AWG(7/0.10T.C)*3C INS:HD-PE+AL/MY +DRAIN WIRE(7/0.10T.C)+BRAID(85%AL/Mg) PVC JACKET;OD:6.0±0.2mm COLOR:BLACK .
- CONNECTOR:
P1:HDMI 19P MALE CONTACT:3u" SHELL:GOLD PLATED .
P2:DVI_D 18P+KEY MALE CONTACT:3u" SHELL:GOLD PLATED .
- SHIELD:P1:INNER MOLD MUST BE WRAPPED COPPER 360° TO CONNECTOR SHELL&CABLE BRAID .
P2:COPPER FOIL 360° SOLDER TO CONNECTOR SHELL&CABLE BRAID .
- HOOD:P1&P2: MOLDED TYPE,PVC 45P,COLOR:BLACK .
- TEST REQUEST:
(1) 100% OPEN SHORT & MIS WIRE TEST .
(2) CONTACT RESISTANCE 5 OHM Max .
(3) INSULATION RESISTANCE 10M OHM Min .
- PACKING:EACH PC / POLYBAG + LABEL .



	Date	Name	Part No.		
Drawn by	Jul.09,2014	Sean	AK-330300-030-S		
Checked by	Jul.09,2014	Joe	EAN:4016032295921		
Approved by	Jul.09,2014	Andy	Title		
ASSMANN Electronic GmbH			HDMI 19P/M - DVI_D/M CABLE		
			Scale	N/A	Sheet 1/2
			Unit	MM	

80497

1

2

3

4

5

6

7

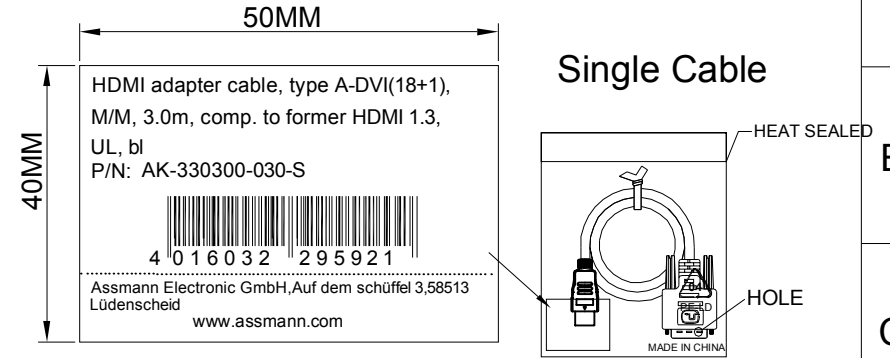
Package Details

RoHS Compliant

Signature	Revision History	Date	Rev.
Sean	For Bulk Production	Jul.09,2014	01

Single Cable

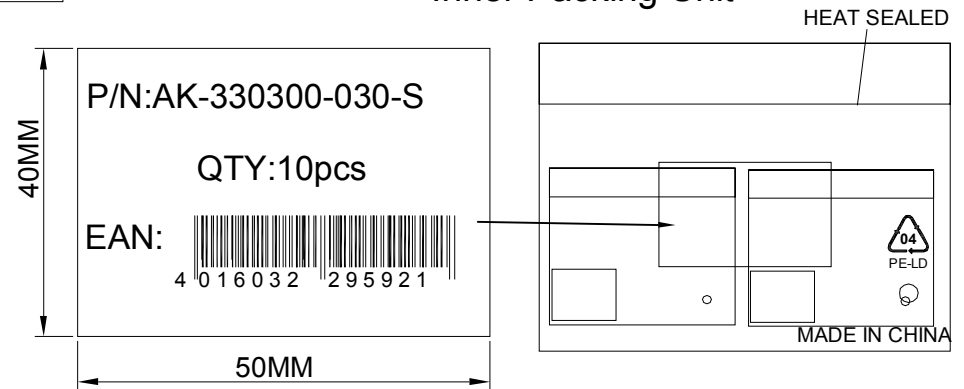
P/N	Cable Length	Rolling Size (Single Cable)	Polybag Type (Single Cable)	Bag Size (Single Cable)	Article Weight (Single Cable)
AK-330300-030-S	3m	180 mm max.	Ordinary Polybag (Heat Sealed)	240*170*0.05mm	0.17kg



Inner Packing Unit

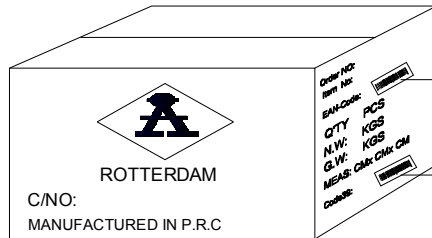
P/N	Cable Length	Quantity (Inner Packing Unit)	Type (Inner Packing Unit)	Size (Inner Packing Unit)	Weight (Inner Packing Unit)
AK-330300-030-S	3m	10 pcs	Polybag (Heat Sealed)	400*400*0.05mm	1.66kg

Inner Packing Unit



CARTON DETAILS

P/N	Cable Length	Quantity (Carton)	Measurement (Carton)	N.W. (Carton)	G.W. (Carton)
AK-330300-030-S	3m	80pcs	38.1x30.2x31.1cm	13.1kg	14kg



- * "ROTTERDAM" is for Sea Freight shipment
- * "COLOGNE" is for Air Freight shipment
- * "LUDENSCHIED" is for Fedex or UPS shipment

Drawn by	Date	Name	Part No.
Checked by	Jul.09,2014	Sean	AK-330300-030-S
Approved by	Jul.09,2014	Joe	EAN:4016032295921
Title			HDMI 19P/M - DVI_D/M CABLE
Scale			N/A
Unit			MM
Sheet			2/2

ASSMANN
Electronic GmbH

80497