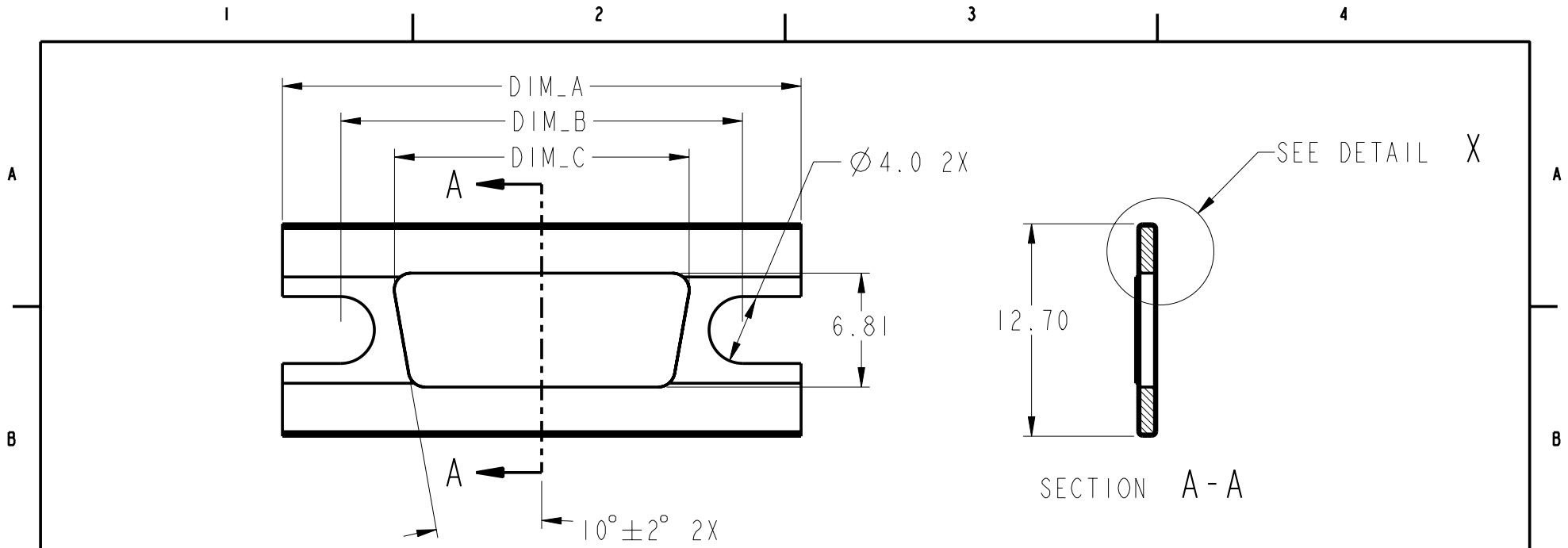
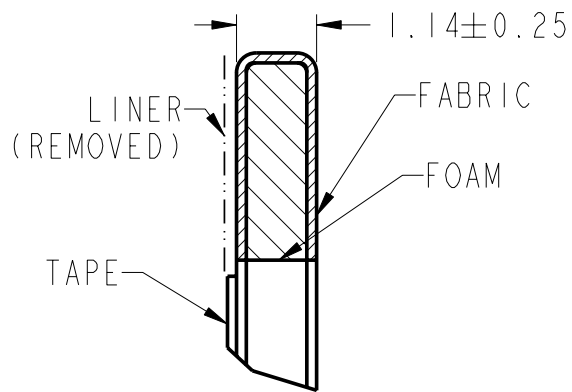




Copyright FCI.



VIEW SHOWN WITH LINER REMOVED



DETAIL X  
SCALE 10:1

rev	ecn no	dr	date
A	V03-0936	GIP	2003-08-21
B	06-0412	HVN	2006-07-26
C	107-0024	HVN	2007-02-26
-	-	-	-
-	-	-	-
-	-	-	-

www.fciconnect.com		surface - ASME Y14.5	tolerance std <input checked="" type="checkbox"/> ASME Y14.5	projection	<b>MM</b>
		TOLERANCES UNLESS OTHERWISE SPECIFIED		size A4	Scale 4:1
Dr	G.PETERS	2003-08-21	ANGULAR	0.X ±.30	ECN 107-0024
Eng	D.BRANN	2003-08-21	LINEAR	0.XX ±.10	Spec ref ---
Chr	HIRAN V N	2007-02-26	0° ±2°	0.XXX ±.050	
Appr	HIRAN V N	2007-02-26	Product family EyeMax (TM)		
<b>FCI</b>		<b>SHIELDING GASKET</b>			Rev. <b>C</b>
catalog no		-		dwg no <b>10019396</b>	sheet 1 of 2
		<b>CUSTOMER</b>			

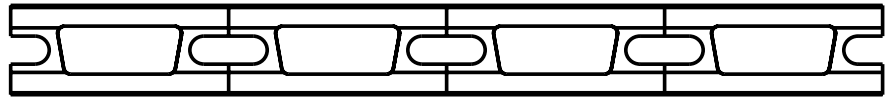
REV F - 2006-04-17

PDM: Rev:C

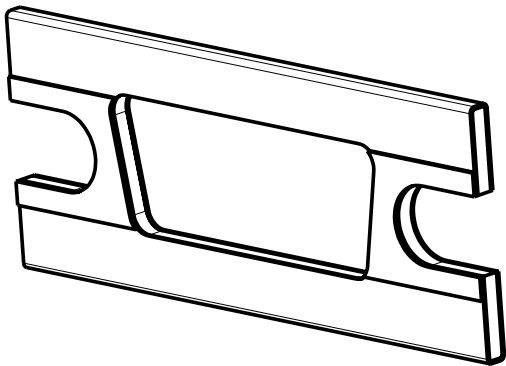
STATUS: Released

Printed: Jan 28, 2008

PRODUCT NUMBER	DIM_A	DIM_B	DIM_C
10019396-001/10019396-001LF	31.0	24.0	17.60
10019396-004/10019396-004LF	55.0	48.0	41.60



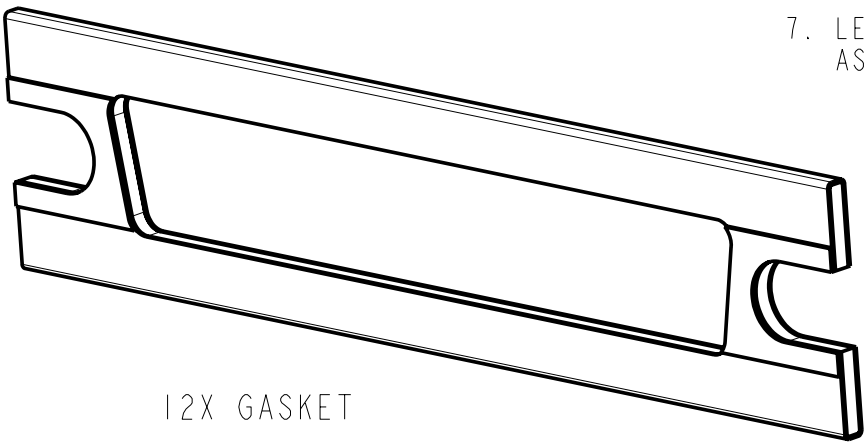
4X PIECES, SEE NOTE 4.



4X GASKET

NOTES:

1. MATERIAL: CONDUCTIVE FOAM
2. ADHESIVE TAPE ON ONE SIDE
3. ALL TOLERANCES ARE  $\pm 0.50$ . EXCEPT MATERIAL THICKNESS.
4. PRODUCT MANUFACTURED WITH 4 PARTS PER SHEET.
5. LF SUFFIX ADDED TO THE PARTNUMBER FOR ROHS COMPLIANT VERSIONS
6. LF PRODUCTS MEET EUROPEAN UNION DIRECTIVES AND OTHER COUNTRY REGULATIONS AS DESCRIBED IN GS-12-083
7. LEAD FREE OR ROHS DIRECTIVE LABELLING TO BE PROVIDED AS PER GS-14-920 FOR LEAD FREE VERSION



12X GASKET



Copyright FCI.

www.fciconnect.com			surface - <input checked="" type="checkbox"/> ASME Y14.5	tolerance std - ASME Y14.5	projection	MM
			TOLERANCES UNLESS OTHERWISE SPECIFIED			
Dr	G.PETERS	2003-08-21	ANGULAR	LINEAR	0.X $\pm .30$	size A4 Scale 4:1
Eng	D.BRANN	2003-08-21			0.XX $\pm .10$	
Chr	HIRAN V N	2007-02-26	0° $\pm 2°$		0.XXX $\pm .050$	ECN 107-0024
Appr	HIRAN V N	2007-02-26	Product family EyeMax (TM)			Spec ref ---
			SHIELDING GASKET			dwg no 10019396
-			-			Rev. C
catalog no			-			CUSTOMER sheet 2 of 2

REV F - 2006-04-17