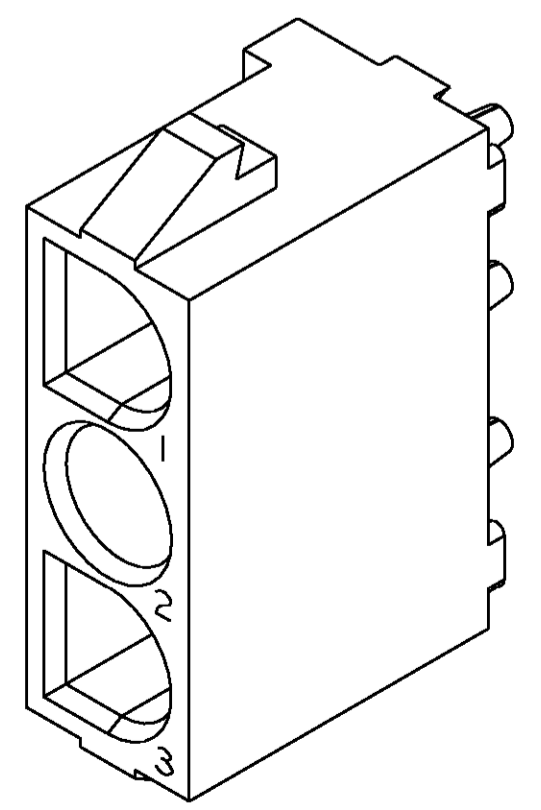
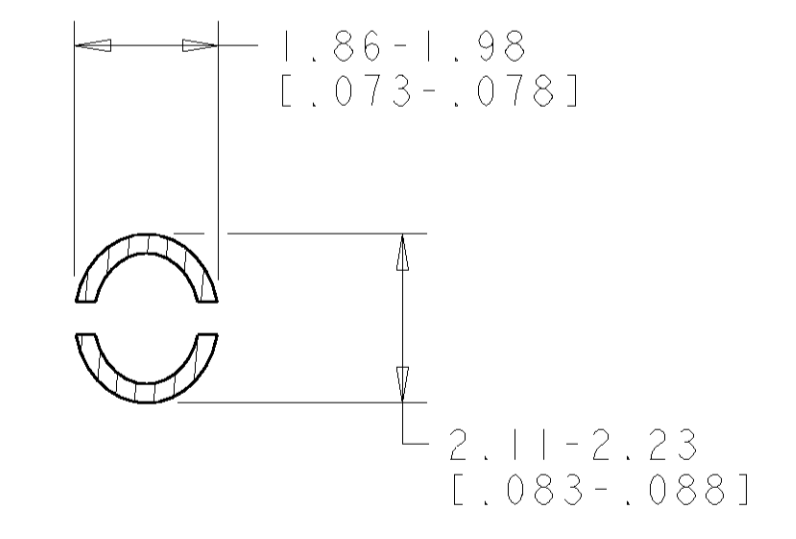
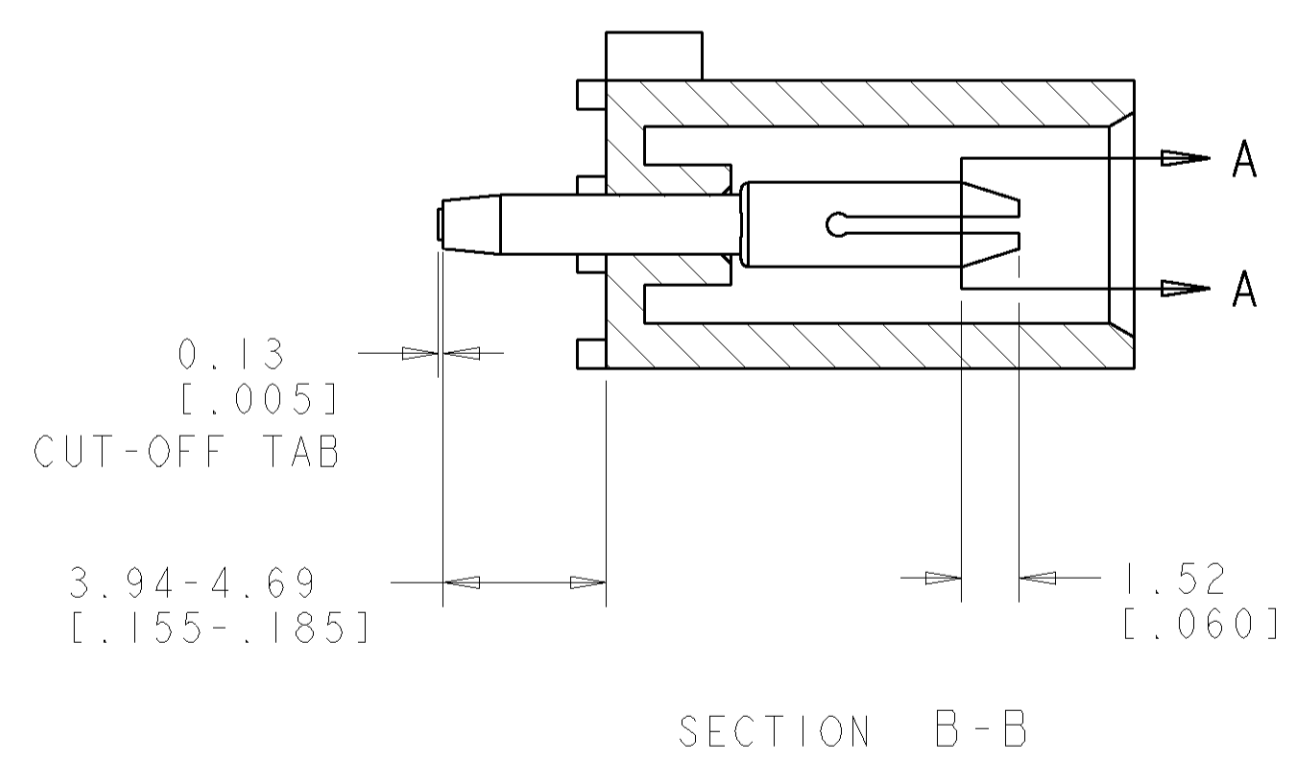
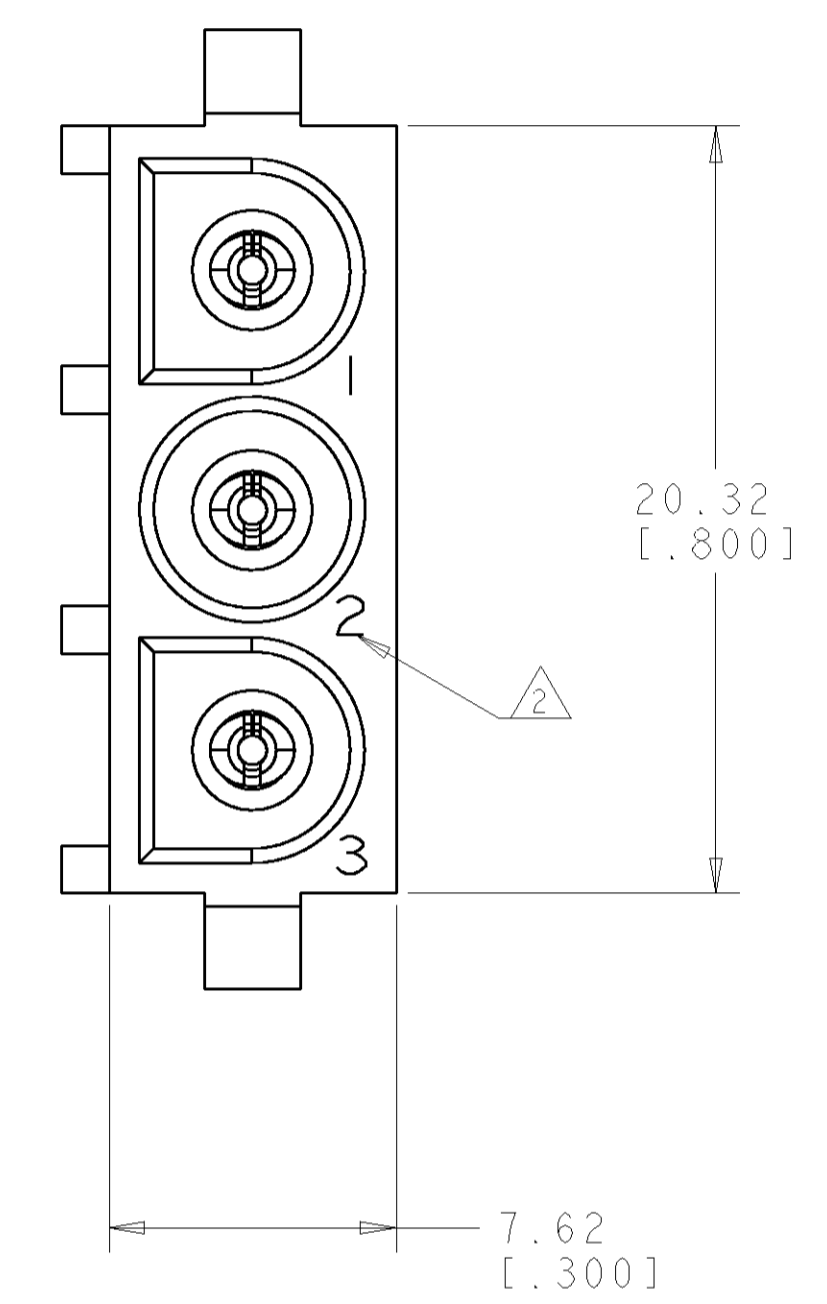
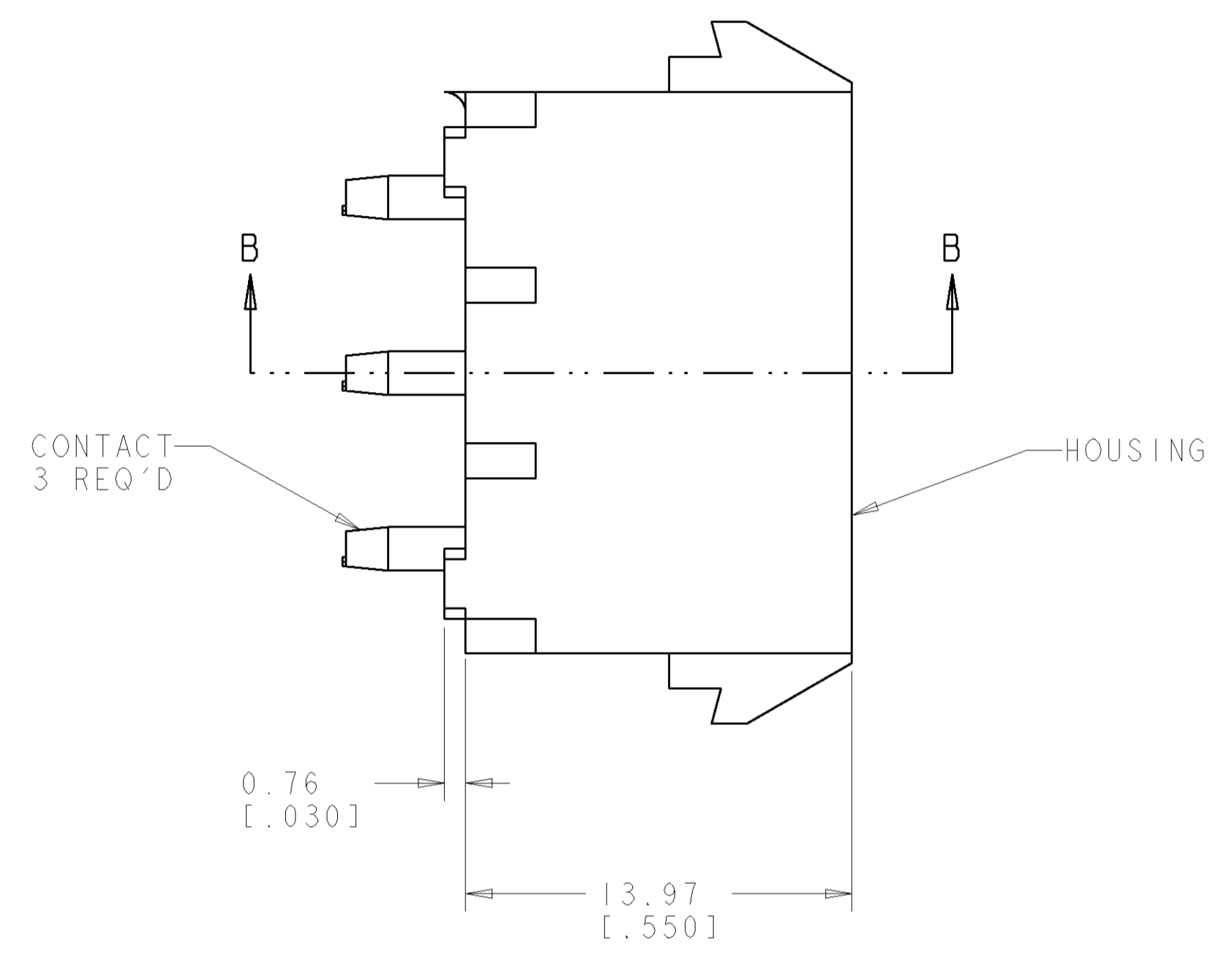
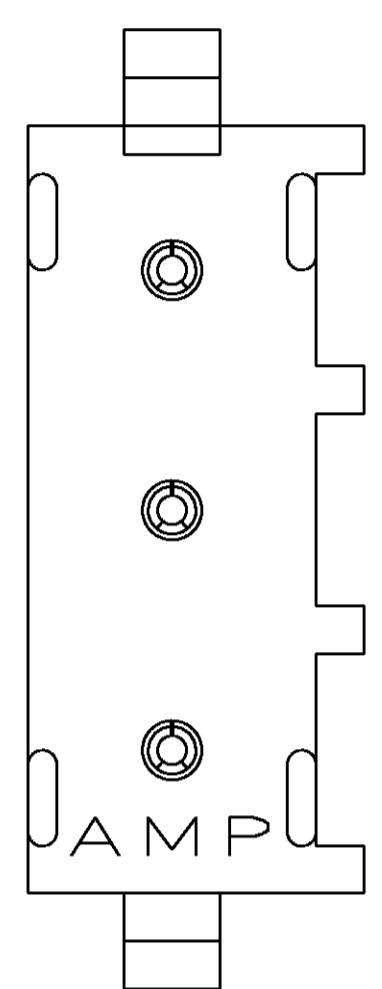
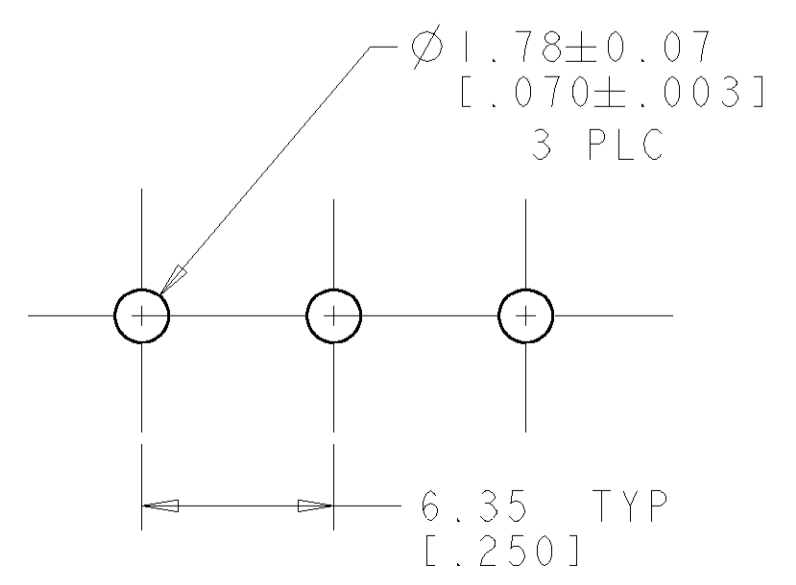


| LOC | | DIST | | REVISIONS | | | |
|-----|----|------|-----|---------------------------|-----------|-----|------|
| CM | 00 | P | LTR | DESCRIPTION | DATE | DWN | APVD |
| | | 0 | | RELEASED PER 0638-0331-03 | 16-JUL-03 | KW | SR |
| | | | | | | | |
| | | | | | | | |

- PARTS COMPLY TO AMP SOLDERABILITY SPECIFICATION 109-11-3.
- CIRCUIT IDENTIFICATION CHARACTERS ARE ADJACENT TO THE INDICATED CAVITIES, BUT LOCATION AND ORIENTATION MAY DIFFER FROM PRINT.
- DIMENSIONS IN BRACKETS ARE IN INCHES.



3 DIMENSIONAL MODEL
SCALE 4:1



RECOMMENDED MOUNTING HOLE PATTERN
FOR 1.57 [.062] THICK P.C. BOARD

| | | |
|--|---|--|
| PHOSPOR BRONZE, PRE-TIN PIN CONTACT MATERIAL AND FINISH | NYLON, UL94V-2, NATURAL HOUSING MATERIAL AND COLOR | 1586077-1 PART NUMBER |
| <small>THIS DRAWING IS UNPUBLISHED. RELEASED FOR PUBLICATION. ALL RIGHTS RESERVED. THIS DRAWING IS THE PROPERTY OF TYCO ELECTRONICS CORPORATION. IT IS TO BE USED ONLY FOR THE PURPOSES AND APPLICATIONS SPECIFIED HEREIN. NO PARTS OR INFORMATION FROM THIS DRAWING IS TO BE REPRODUCED OR TRANSMITTED IN ANY FORM OR BY ANY MEANS, ELECTRONIC OR MECHANICAL, INCLUDING PHOTOCOPYING, RECORDING, OR BY ANY INFORMATION STORAGE AND RETRIEVAL SYSTEM, WITHOUT PERMISSION IN WRITING FROM TYCO ELECTRONICS CORPORATION.</small> | | |
| DIMENSIONS: mm [INCHES] TOLERANCES UNLESS OTHERWISE SPECIFIED: 0 PLC ± 1 PLC ± 2 PLC ±0.13 (.005) 3 PLC ± 4 PLC ± ANGLES 40° 30' | | DWN R. WHITAKER 16-JUL-2003 CHK S. RIDGILL 16-JUL-2003 APVD S. RIDGILL 16-JUL-2003 NAME PRODUCT SPEC APPLICATION SPEC WEIGHT CUSTOMER DRAWING |
| MATERIAL SEE TABLE FINISH SEE TABLE | | Tyco Electronics Harrisburg, PA 17105-3608 PIN HEADER ASSEMBLY, 3 CIRCUIT, UNIVERSAL MATE-N-LOK™ SIZE CAGE CODE DRAWING NO. RESTRICTED TO A1 00779 C=1586077 SCALE 5:1 SHEET 1 OF 1 REV 0 |

