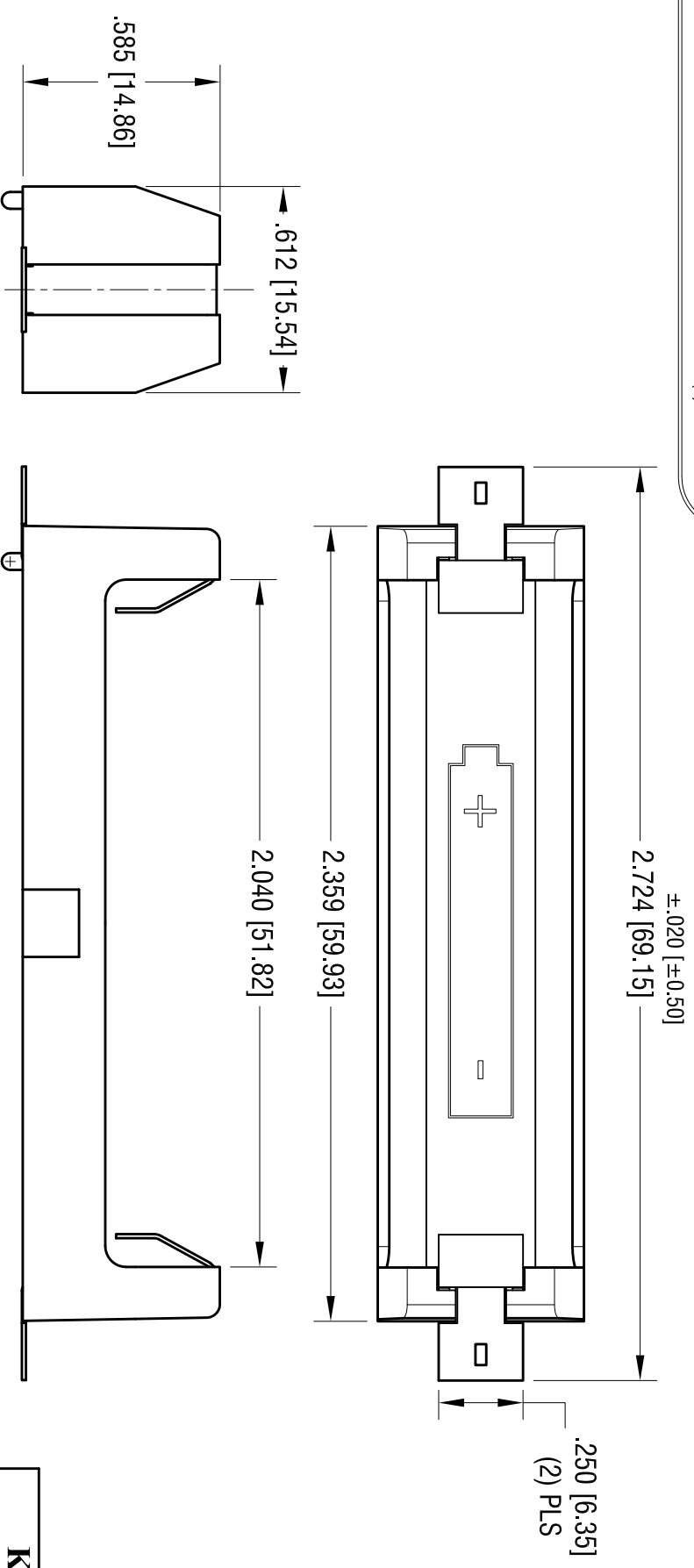
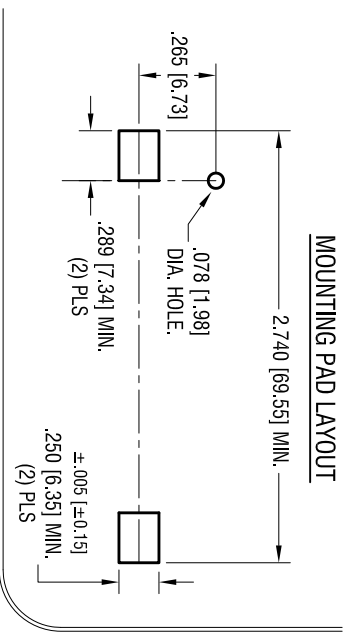
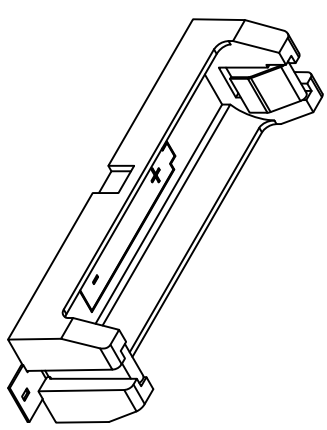


DATE	DESCRIPTION	REV.
2.17.10	CHANGE AS PER ECN 10-014	A
10.08.13	CHANGE AS PER ECN 13-090	B
3.30.17	CHANGE AS PER ECN17-029	C



- NOTE:
1. BASE:  
MATEL: HEAT RESISTANCE NYLON  
STANVYL 46 OR EQUIVALENT
  2. CONTACT:  
MATEL: .012 [0.30] THK STAINLESS STEEL  
FINISH: GOLD FLASH, OVER NICKEL PLATE.



THIS DOCUMENT IS THE PROPERTY OF KEYSTONE ELECTRONICS CORP. AND SHALL NOT BE REPRODUCED, DISTRIBUTED OR USED AS A BASIS FOR MANUFACTURE WITHOUT PRIOR WRITTEN PERMISSION FROM KEYSTONE ELECTRONICS CORP.

<b>KEYSTONE ELECTRONICS CORP.</b>			
www.keystec.com • ASTORIA, N.Y. 11105-2017 • Tel (718) 956-8900			
PART NAME		SM BATTERY HOLDER, AA	
MATERIAL		AS NOTED	
FINISH		AS NOTED	
TOLERANCES	INCH	[MM]	CODE
DECIMAL	± .010	[± 0.25]	C
ANGULAR	± 1°		
UNLESS OTHERWISE SPECIFIED			
DRN BY	NT	DATE	12.09.09
App'D	LN	SCALE	2X
DWG NO.		1024	