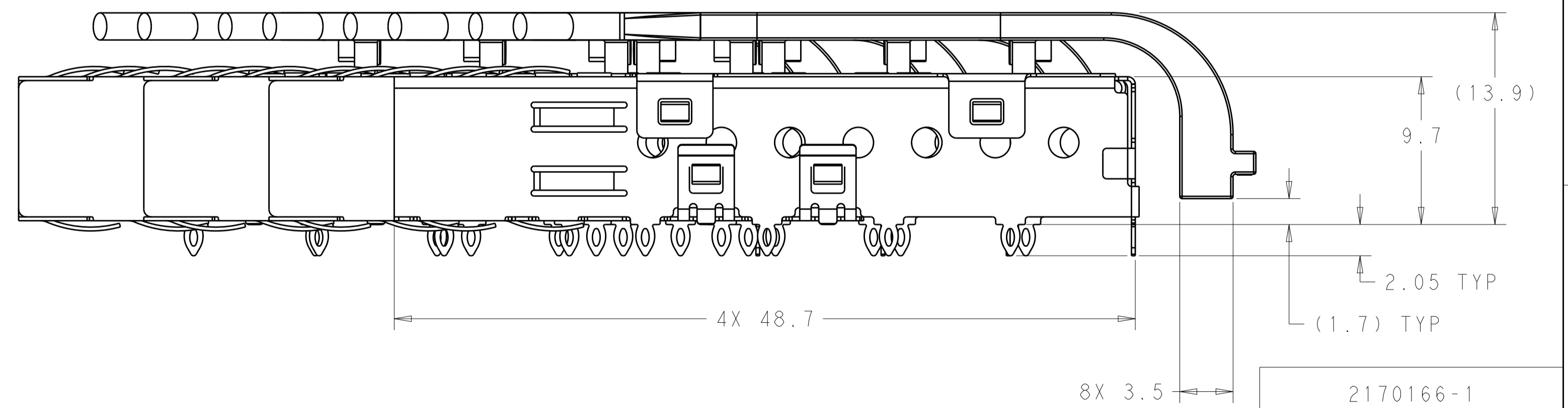
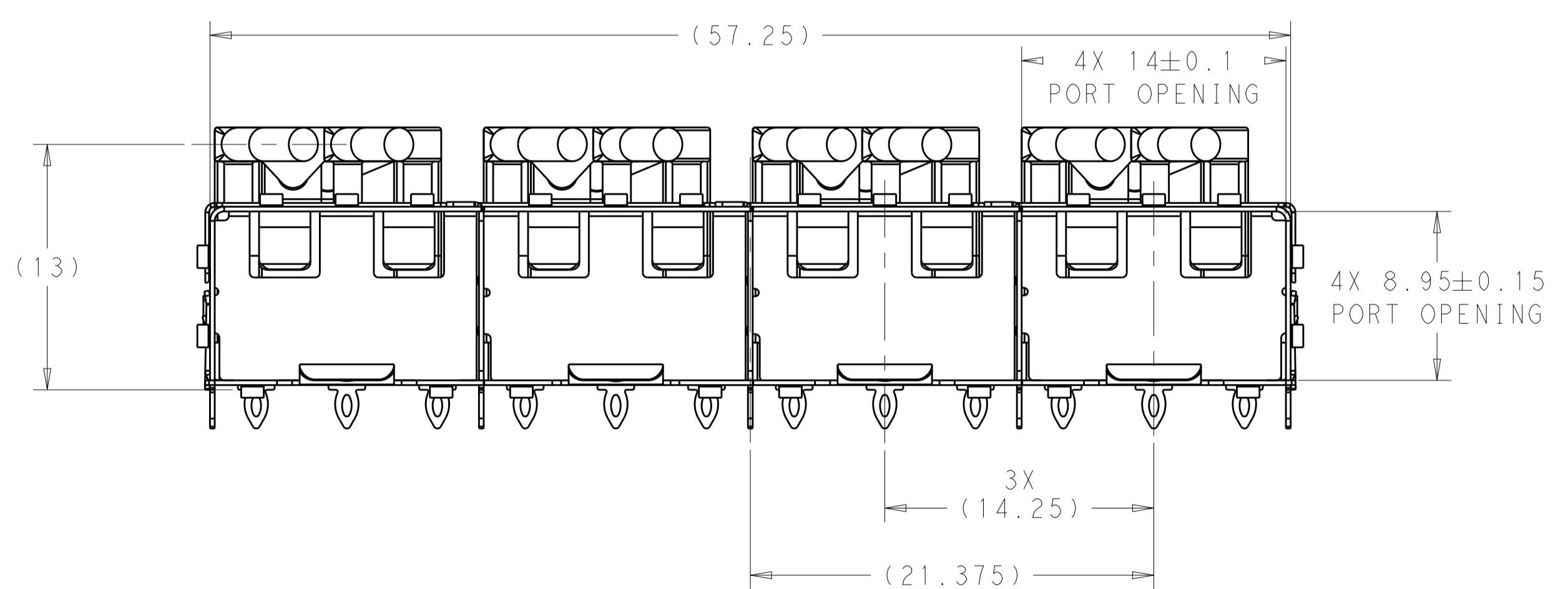
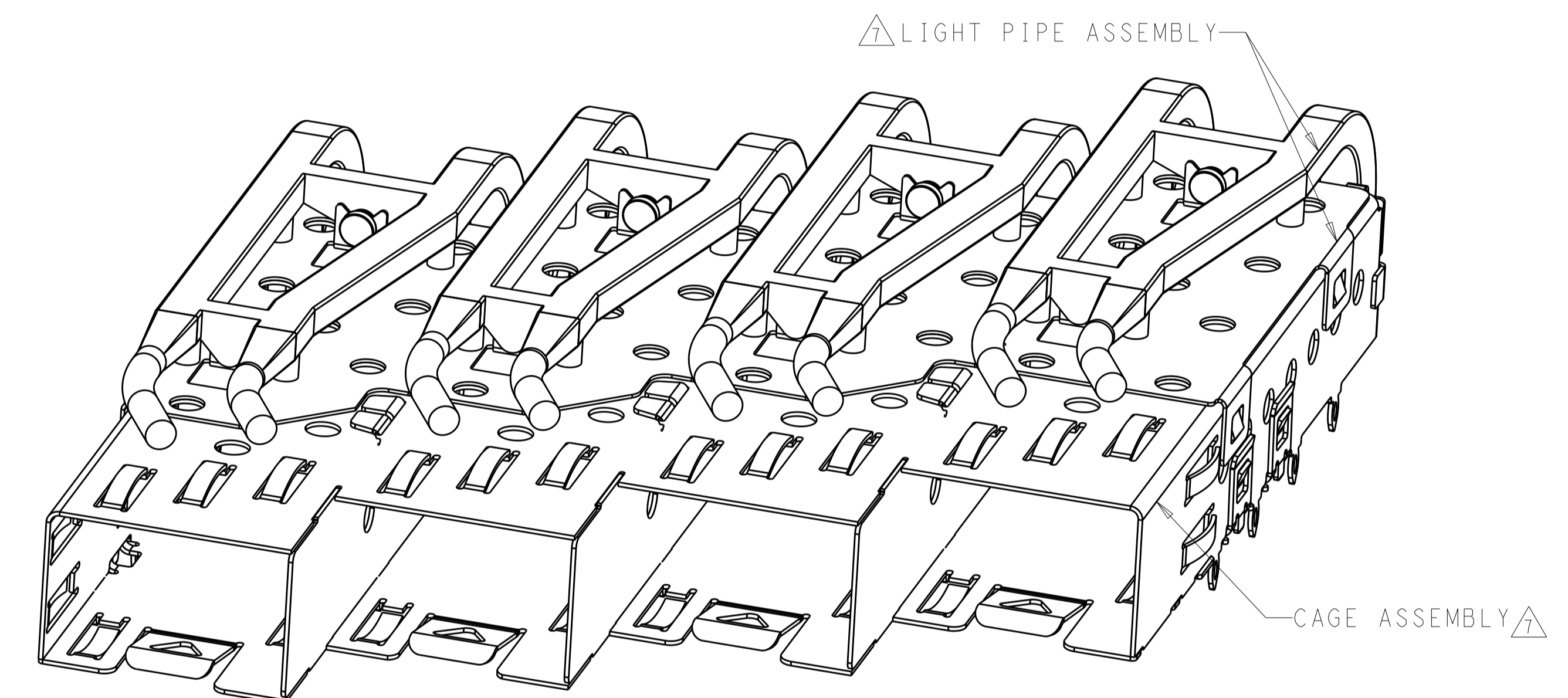
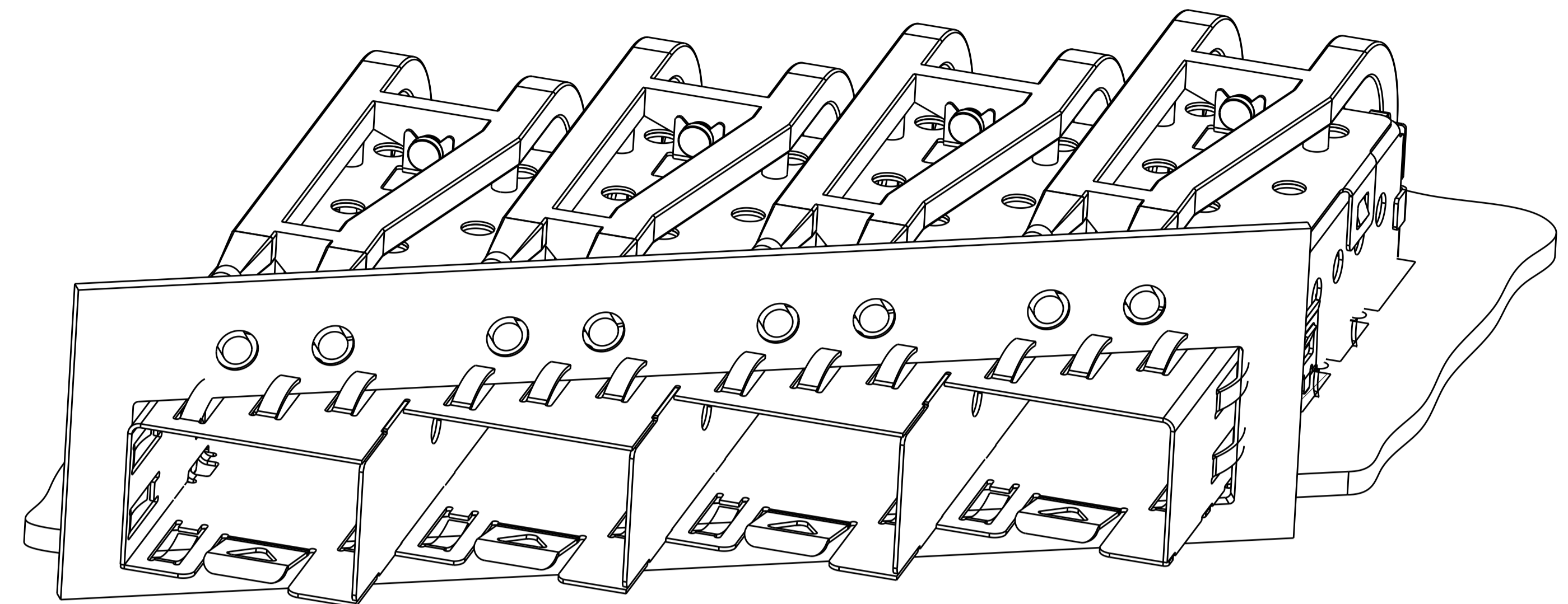
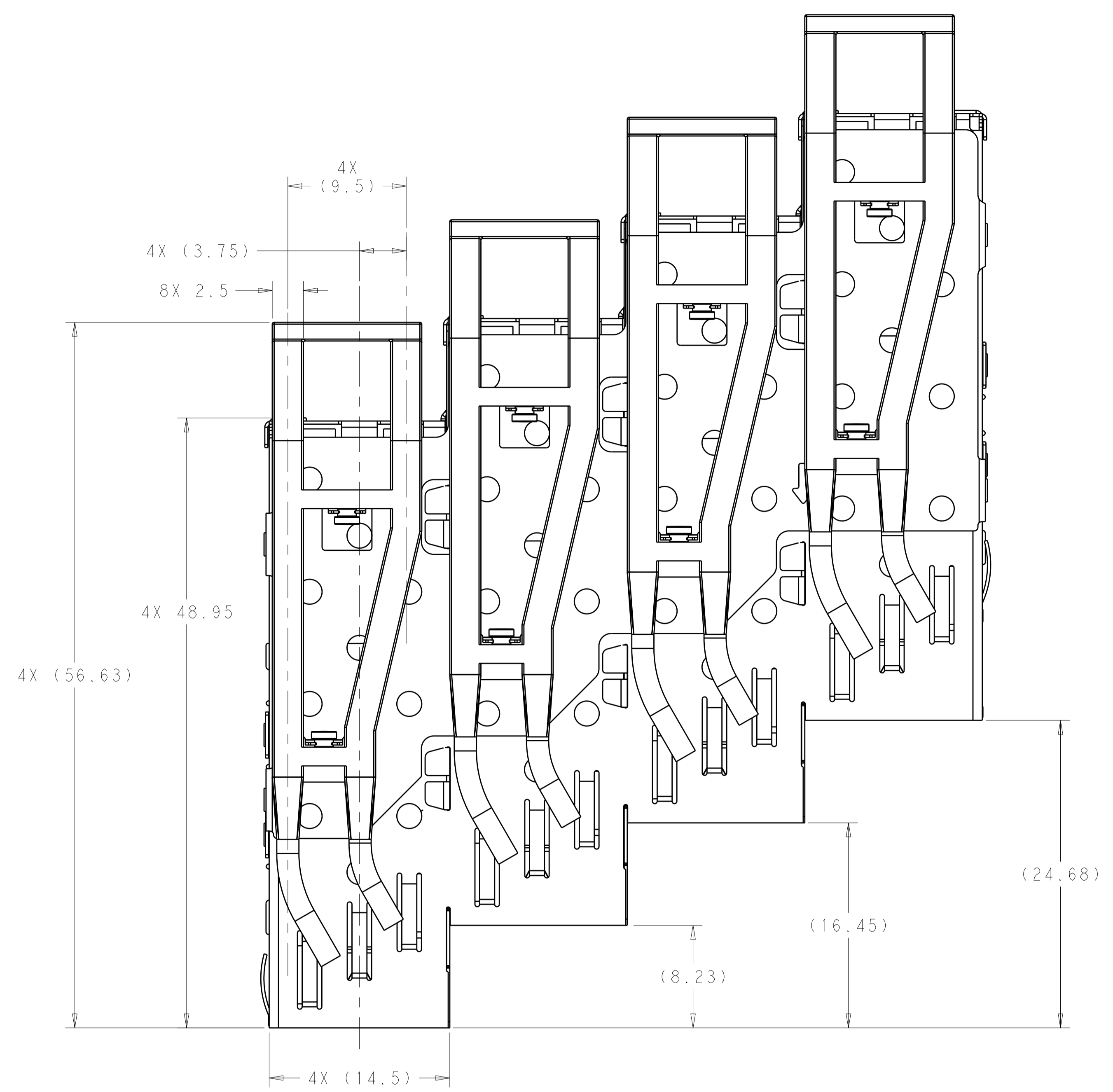


LOC		DIST		REVISIONS			
P	LTN	DESCRIPTION	DATE	DWN	APVD		
A		RELEASED	25FEB2016	JW	SH		

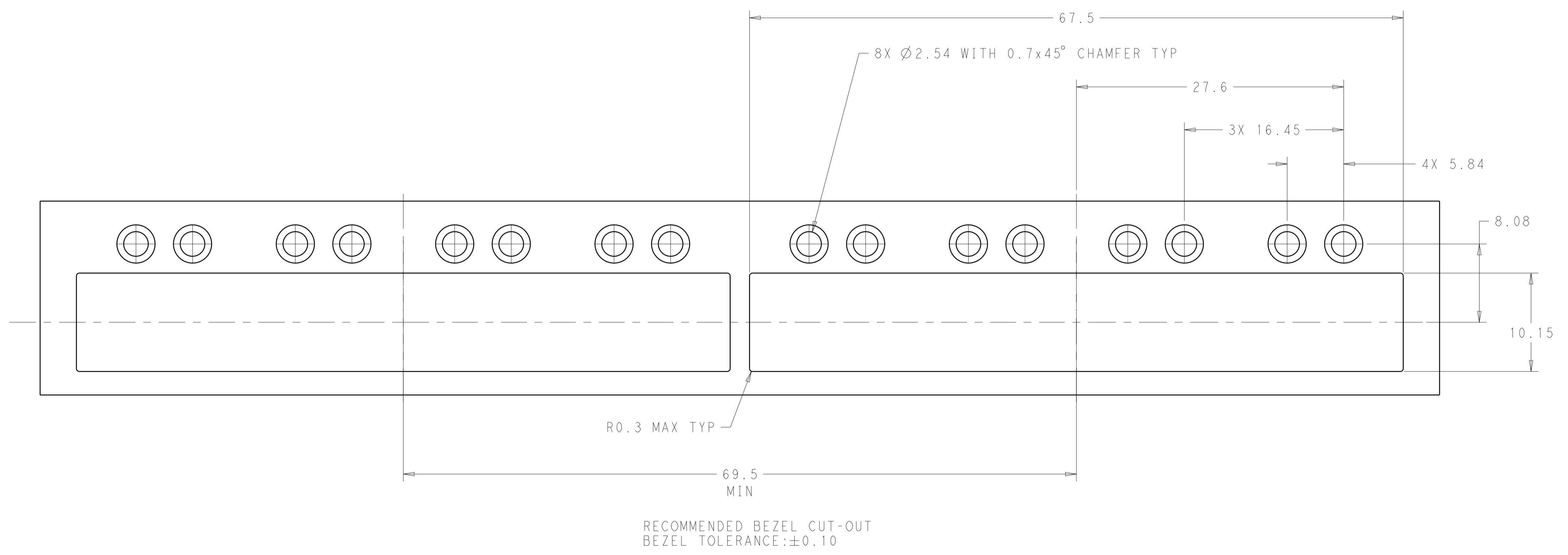
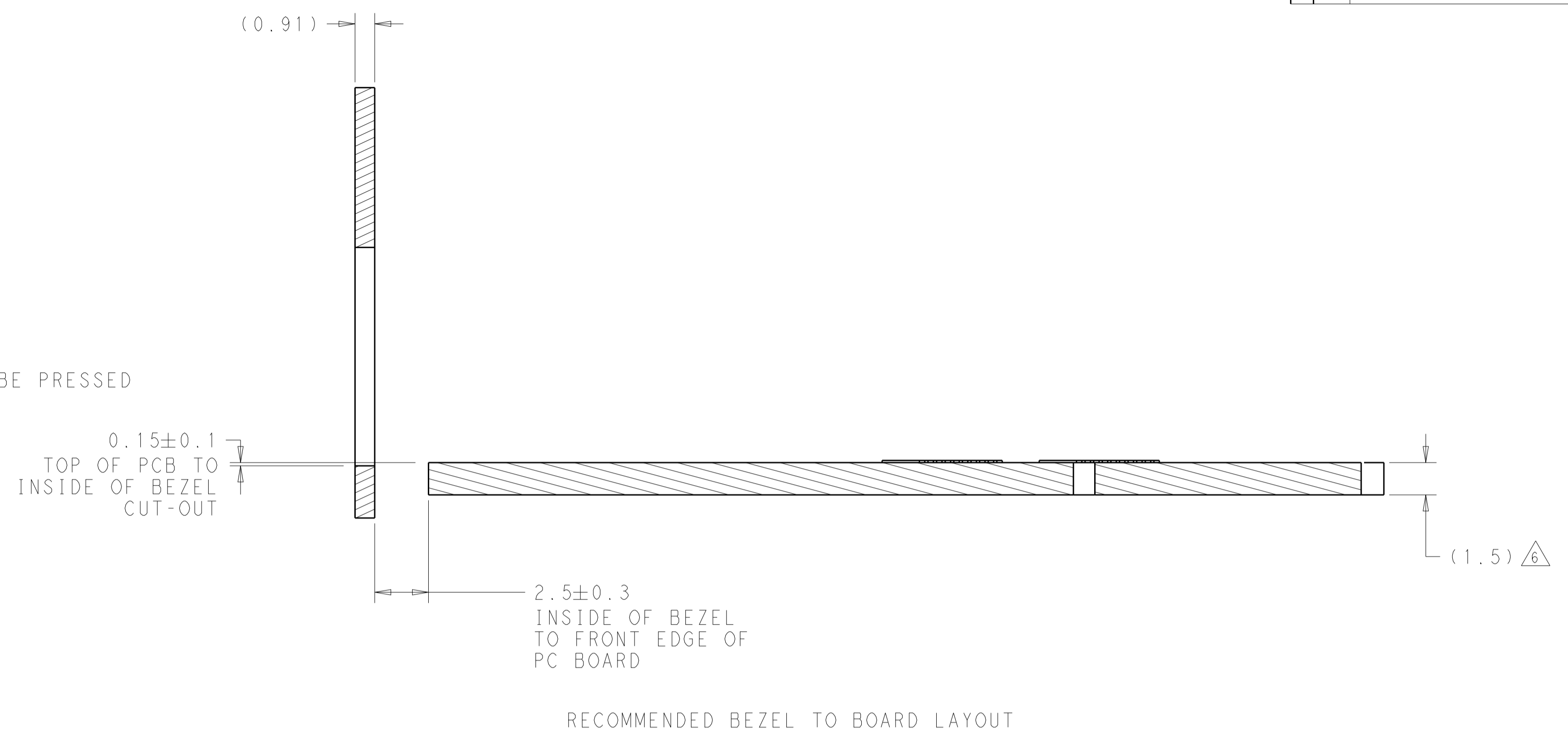


THIS DRAWING IS A CONTROLLED DOCUMENT.		DWN: JASON YANG 02NOV2011	TE Connectivity
DIMENSIONS: mm		CHK: ALEX CAI 02NOV2011	
TOLERANCES UNLESS OTHERWISE SPECIFIED:		APVD: ALEX CAI 02NOV2011	NAME: SFP, 1X4 CAGE ASSEMBLY, 30 DEGREE, PRESS FIT, WITH LIGHT PIPES
0 PLC	±0.2	PRODUCT SPEC	SIZE: CAGE CODE DRAWING NO
1 PLC	±0.2	108-1950	RESTRICTED TO
2 PLC	±0.2	APPLICATION SPEC	A100779C=2170166
3 PLC	±0.2	114-13120	SCALE: 4:1 SHEET 1 OF 3 REV A
4 PLC	±0.2	WEIGHT	
ANGLES	±0.3	CUSTOMER DRAWING	
MATERIAL			
FINISH			

LOC	DIST	REV	DATE	BY	APPV
GP	00				

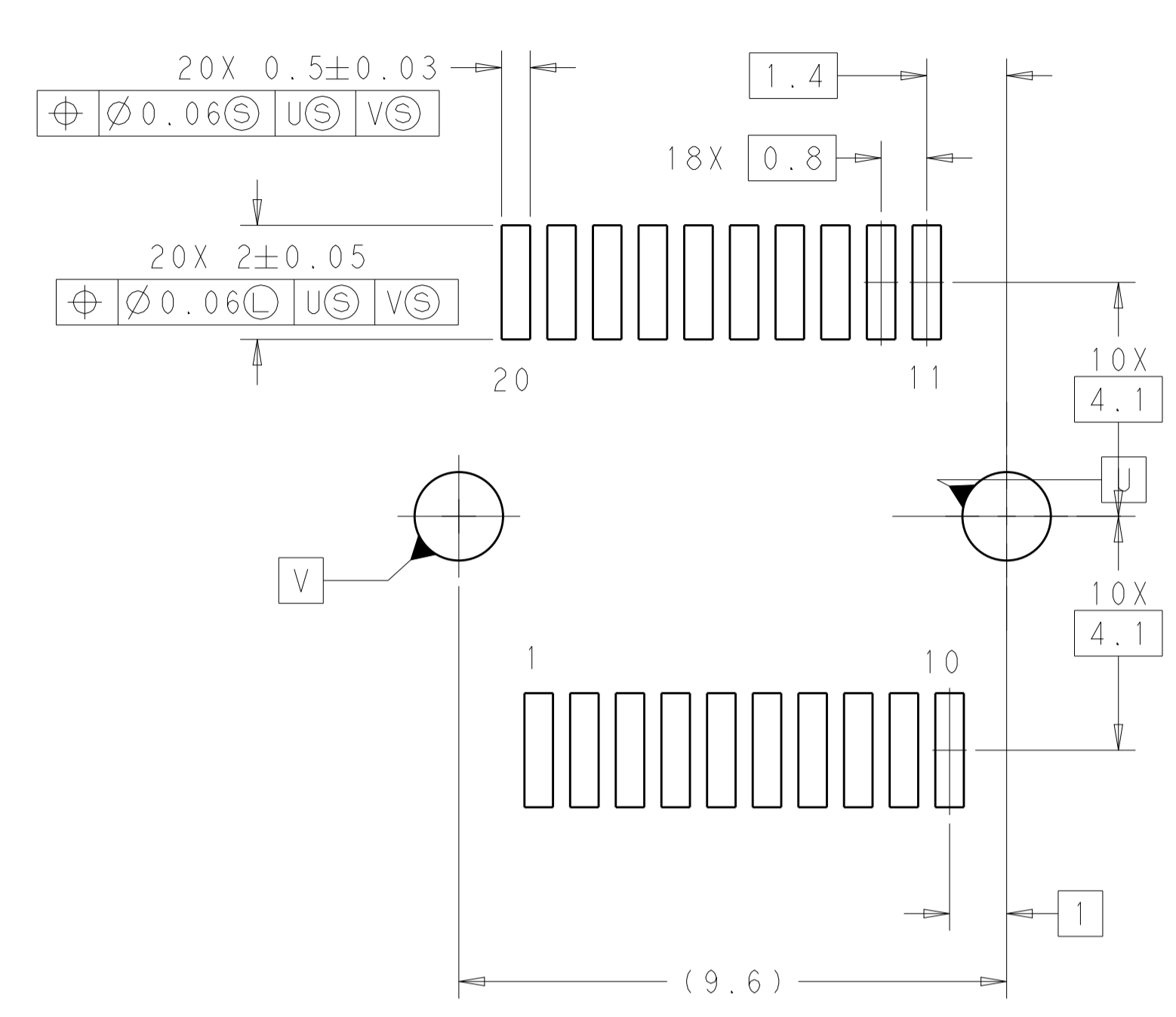
REVISIONS					
REV	DATE	DESCRIPTION	DATE	BY	APPV
-	-	SEE SHEET 1	-	-	-

- 1 MATERIAL:
 CAGE ASSEMBLY: 0.25mm THICK NICKEL SILVER ALLOY.
 LIGHT PIPE: POLYCARBONATE, CLEAR.
- 2 DATUM AND BASIC DIMENSIONS ESTABLISHED BY THE CUSTOMERS.
- 3. MATES WITH MSA COMPLIANT TRANSIEVERS.
- 4 PADS AND VIAS CHASSIS GROUND.
- 5 REFERENCE APPLICATION SPEC 114-13120, HOLE A, FOR RECOMMENDED DRILL HOLE DIAMETER AND PLATING THICKNESS.
- 6 MINIMUM PCB THICKNESS:
 SINGLE SIDED = 1.5mm
- 7 LIGHT PIPES ASSEMBLY SHIPPED UNASSEMBLED TO CAGE ASSEMBLY, CAGE ASSEMBLY TO BE PRESSED INTO PCB PRIOR TO ATTACHING LIGHT PIPES TO THE CAGE ASSEMBLY.

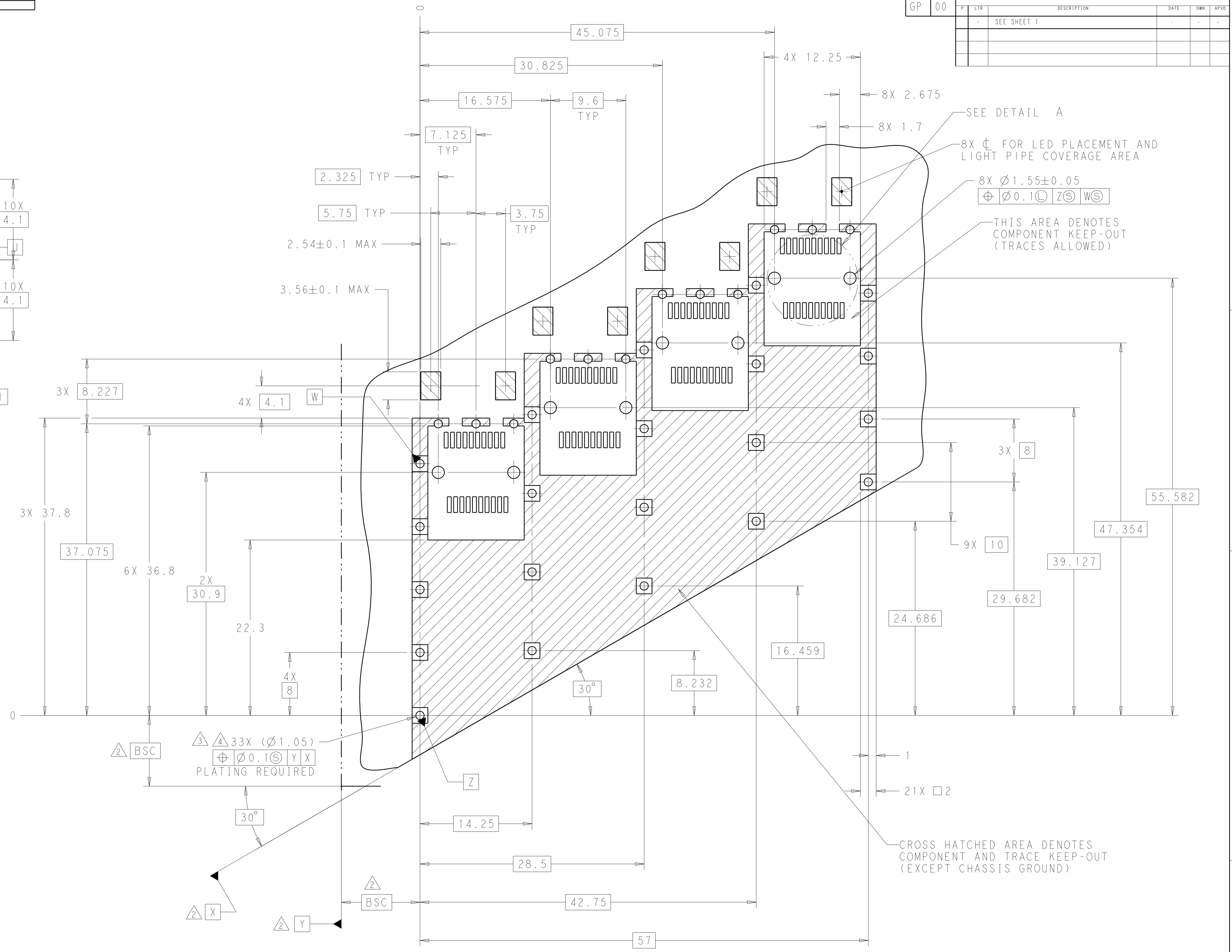


THIS DRAWING IS A CONTROLLED DOCUMENT.		DWN: JASON YANG 02NOV2011	TE Connectivity
DIMENSIONS: mm		CHK: ALEX CAI 02NOV2011	
TOLERANCES UNLESS OTHERWISE SPECIFIED: 0 PLC ±0.2 1 PLC ±0.2 2 PLC ±0.2 3 PLC ±0.2 4 PLC ±0.2 ANGLES ±°		APVD: ALEX CAI 02NOV2011 PRODUCT SPEC: 108-1950 APPLICATION SPEC: 114-13120 WEIGHT: -	NAME: SFP, 1X4 CAGE ASSEMBLY, 30 DEGREE, PRESS FIT, WITH LIGHT PIPES SIZE: A1 CAGE CODE: 00779 DRAWING NO: 2170166 RESTRICTED TO: -
MATERIAL: △		FINISH: -	CUSTOMER DRAWING SCALE: 4:1 SHEET 2 OF 3 REV A

LOC	DIST	REV	DESCRIPTION	DATE	OWN	APVD
GP	00		SEE SHEET 1	-	-	-



DETAIL A
RECOMMENDED PT CONNECTOR LAYOUT
4X INDIVIDUALLY
SCALE 10:1



RECOMMENDED PCB CONFIGURATION
WITH KEEP-OUT AREAS
PCB TOLERANCE: ±0.05
SINGLE SIDED APPLICATIONS

THIS DRAWING IS A CONTROLLED DOCUMENT.		DWG: JASON YANG 02NOV2011 CHK: ALEX CAI 02NOV2011		REV: ALEX CAI 02NOV2011		TE Connectivity NAME SFP, 1X4 CAGE ASSEMBLY, 30 DEGREE, PRESS FIT, WITH LIGHT PIPES	
DIMENSIONS: mm		TOLERANCES UNLESS OTHERWISE SPECIFIED:		PRODUCT SPEC: 108-1950 APPLICATION SPEC: 114-13120			
MATERIAL:		FINISH:		CUSTOMER DRAWING		RESTRICTED TO: A100779	
4805 (3/11)				SCALE: 4:1		SHEET 3 OF 3 REV A	