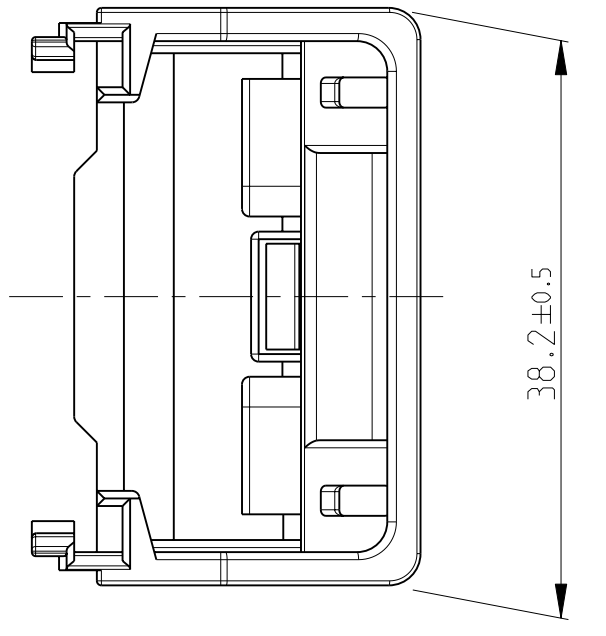
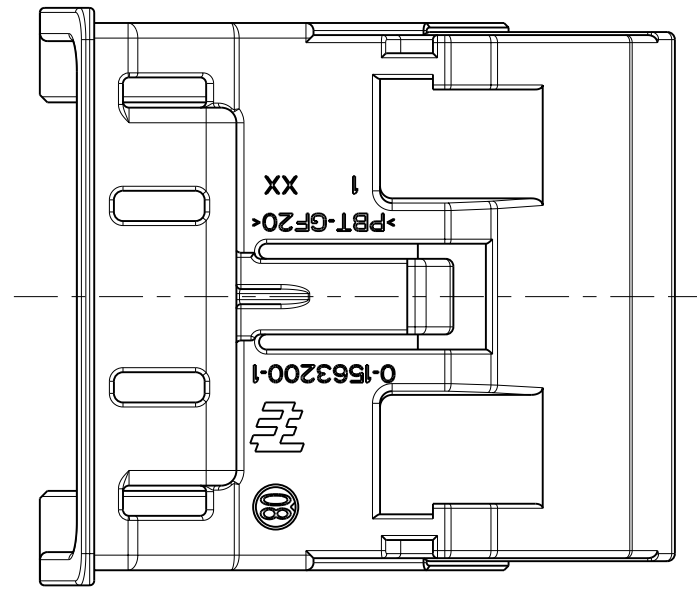
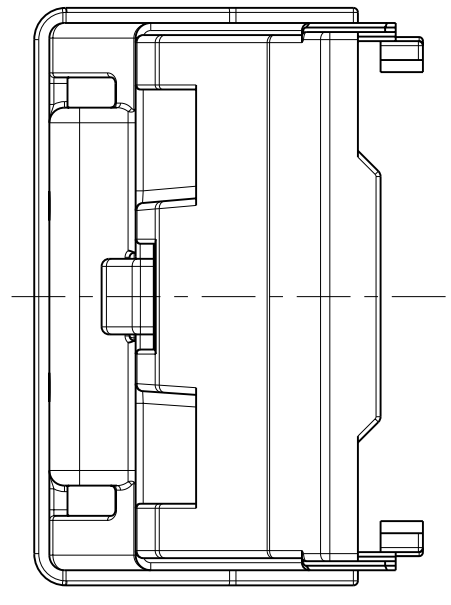
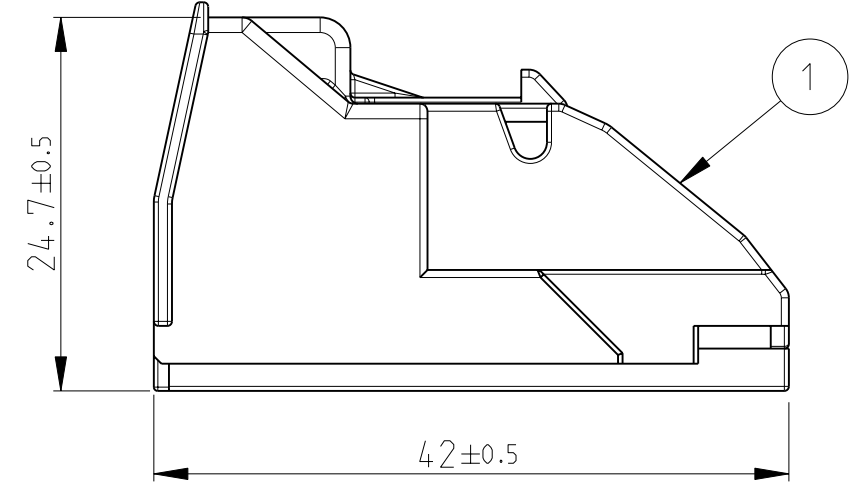
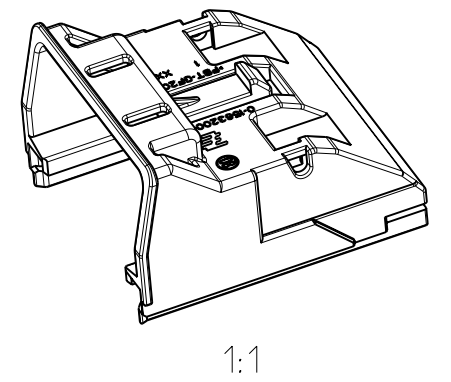


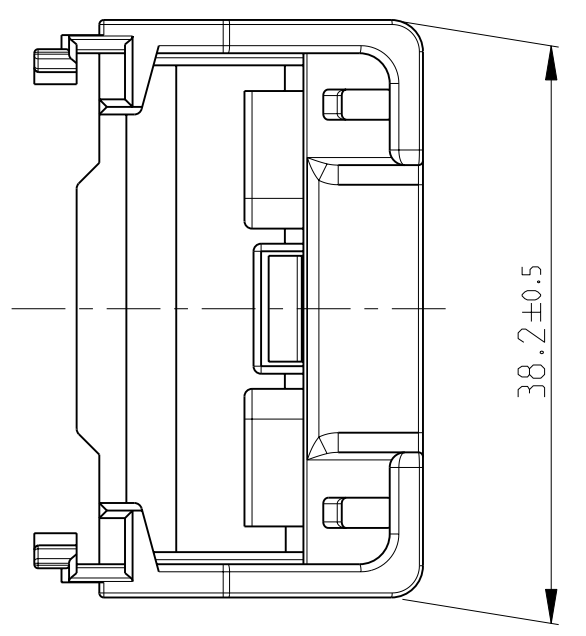
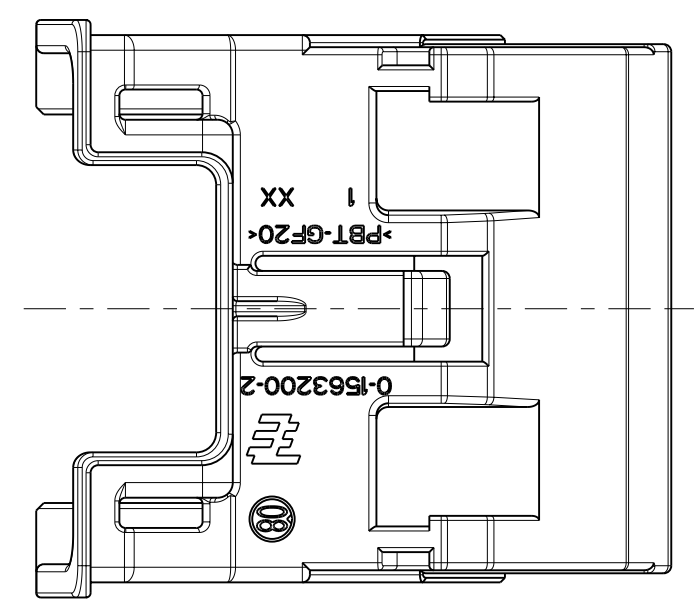
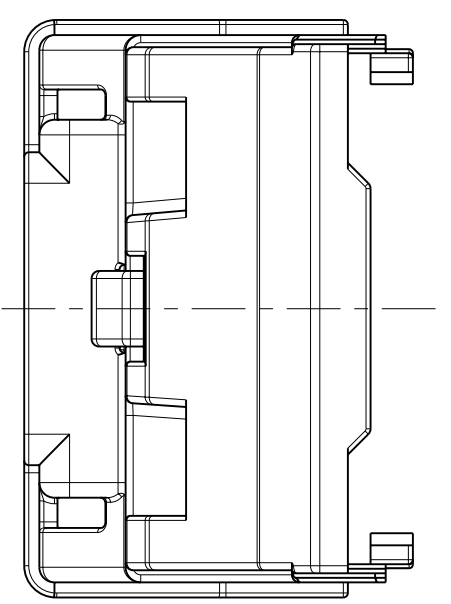
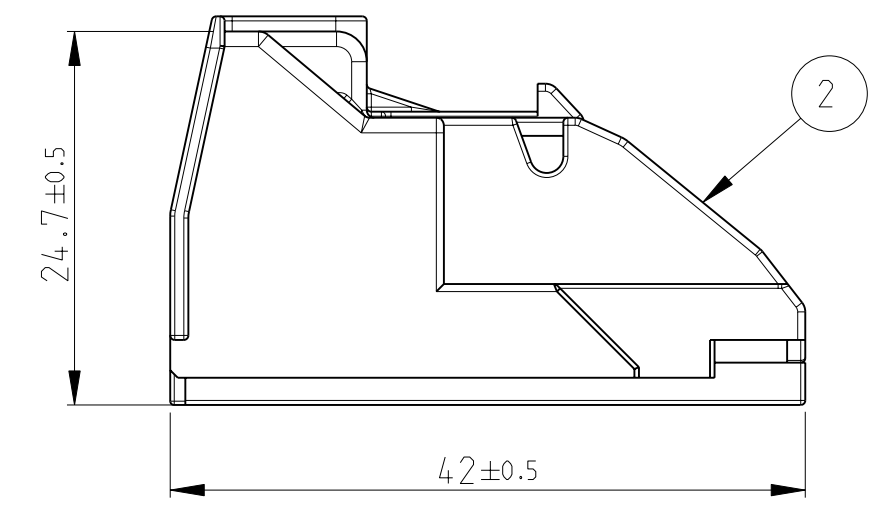
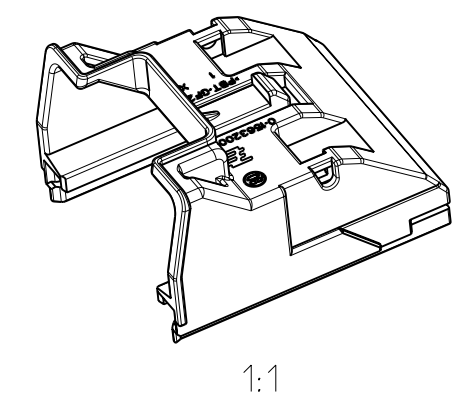
LOC		DIST		REVISIONS			
P	LTR	DESCRIPTION	DATE	DWN	APVD		
A2		E-08-005854	05MAR2008	MK	GM		
A3		ECR-08-021214	22AUG2008	GP	GM		

0-1563200-1



NOTES:
 Bemerkungen:
 1 PACKAGING: LOOSE PIECE IN CARDBOARD BOX
 Verpackung: Teile lose beige stellt in Karton
 2 MATED WITH:
 Passend zu:
 53 WAY PCM MIXED REC. HSG.
 1563193, 1563194
 1563898, 1563900
 1563901, 1564294

0-1563200-2



PART NO	REVISION	MATERIAL	DESCRIPTION	COLOUR	ITEM NO
0-1563200-2	A	PBT-GF20	COVER 50° FOR 53 WAY CON.	BLACK	2
0-1563200-1	A	PBT-GF20	COVER FOR 53 WAY CON.	BLACK	1

<small>THIS DRAWING IS A CONTROLLED DOCUMENT FOR TYCO ELECTRONICS CORPORATION IT IS SUBJECT TO CHANGE AND THE CONTROLLING ENGINEERING ORGANIZATION SHOULD BE CONTACTED FOR THE LATEST REVISION.</small>		DWN 03 JUL 2007 M. Kressmann CHK 04 JUL 2007 K. Roth APVD 22 AUG 2008 G. Mumper PRODUCT SPEC APPLICATION SPEC WEIGHT - CUSTOMER DRAWING	Tyco Electronics tyco Electronics AMP GmbH 64625 Bensheim (Germany)	NAME COVER FOR 53 WAY MIXED CONNECTOR COVER	SIZE A2 CAGE CODE 00779 DRAWING NO. 1563200 RESTRICTED TO - SCALE 2:1 SHEET 1 OF 1 REV A3
---	--	--	---	---	---