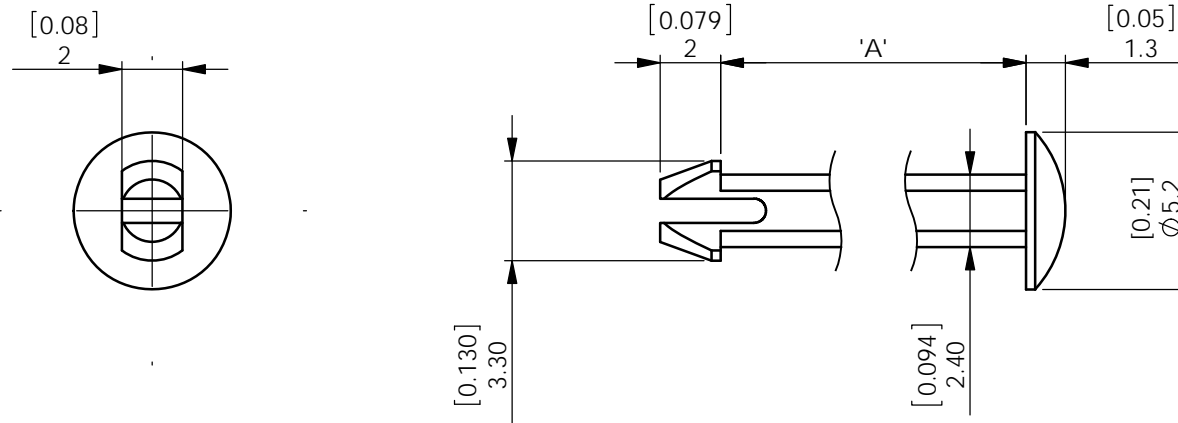


| REV. | MODIFICATION. | DATE | DRN |
|------|---------------|----------|-----|
| 04 | CO2011260 | 14/05/12 | SF |



| PART NUMBER | DIMENSION 'A' |
|--------------|---------------|
| SLP-1-177-01 | 4.50[.177] |
| SLP-1-221-01 | 5.60[.221] |
| SLP-1-236-01 | 6.00[.236] |
| SLP-1-245-01 | 6.22[.244] |
| SLP-1-307-01 | 7.80[.31] |
| SLP-1-316-01 | 8.02[.315] |
| SLP-1-330-01 | 8.38[.329] |
| SLP-1-413-01 | 10.50[.413] |
| SLP-1-638-01 | 16.20[.637] |

Other colours available by Special Order Add; RD(Red), GRN(Green), YEL(Yellow) or BLU (Blue) to end of part number.

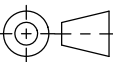
ALTERNATE UNITS FOR REFERENCE ONLY

INFORMATION CONTAINED IN THIS DOCUMENT IS CONFIDENTIAL TO RICHCO INTERNATIONAL Co. Ltd. AND MAY NOT BE DISCLOSED OR REPRODUCED IN WHOLE OR PART WITHOUT THEIR WRITTEN CONSENT.

RICHCO, INC.
WWW.RICHCO-INC.COM

ALL DIMENSIONS IN mm
GENERAL TOLERANCES ±0.25
UNLESS OTHERWISE STATED
1 DECIMAL PLACE ±
2 DECIMAL PLACES ±
ANGULAR ±1°

THIRD
ANGLE



MATERIAL:
NYLON 6/6 UL 94 V-2 (RMS-01)

COLOUR:
NATURAL

DESCRIPTION:
SNAP LOCK PIN

PART No:
SEE TABLE

DRG No:
375-0001

NPR No:
N/A

SHEET SIZE A4

DRN
SF

DATE
14/05/12

CHKD
TC

DATE
14/05/12

SCALE
NTS

SHEET No.
1 OF 1