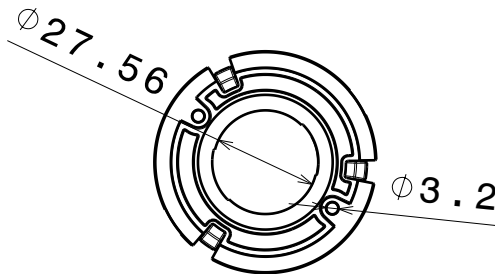
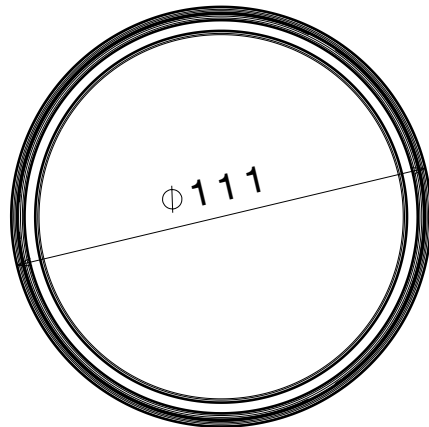
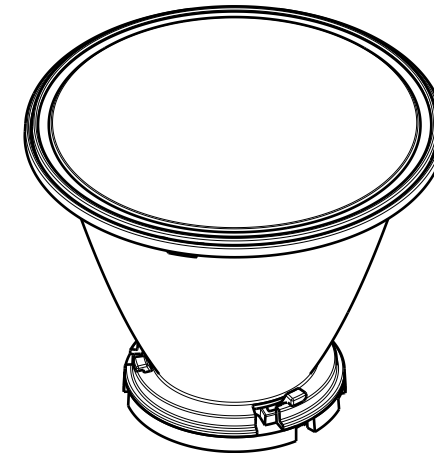
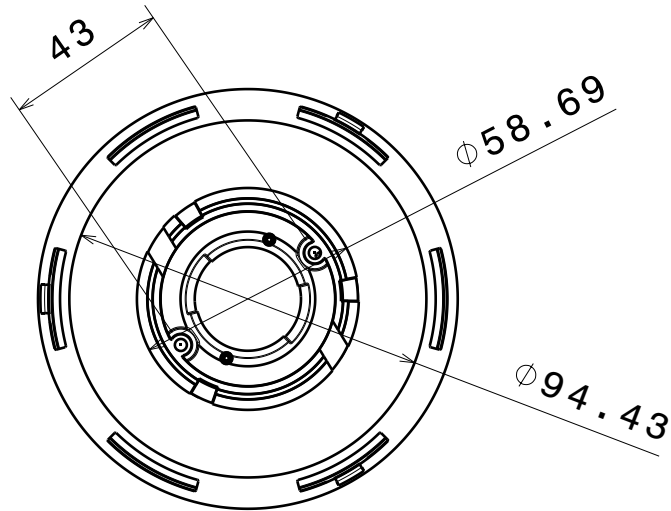
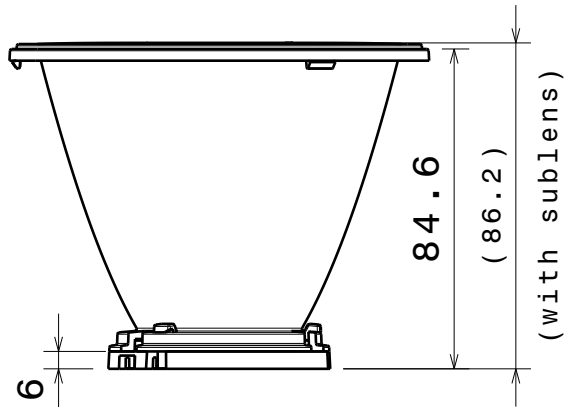


D

C

B

A



Material:

subLens
- PC

Reflector
- PC
- Metal coating and clear lacquer

Holder base
- PC
- Color white

This drawing is our property.
It can't be reproduced
or communicated without
our written agreement.



Ledil Oy
Salorankatu 10
FIN 24240 SALO
Finland

DRAWING TITLE

LENA-SOLERIQ-E30 Mechanical drawing

DRAWN BY

as

DATE

24.07.2012

CHECKED BY

sn

DATE

3.8.2012

DESIGNED BY

as/pl

DATE

23.07.2012

SIZE

A4

PART NUMBER

REV

001

SCALE

1:2

WEIGHT

SHEET

1/1

D

A

4

3

2

1