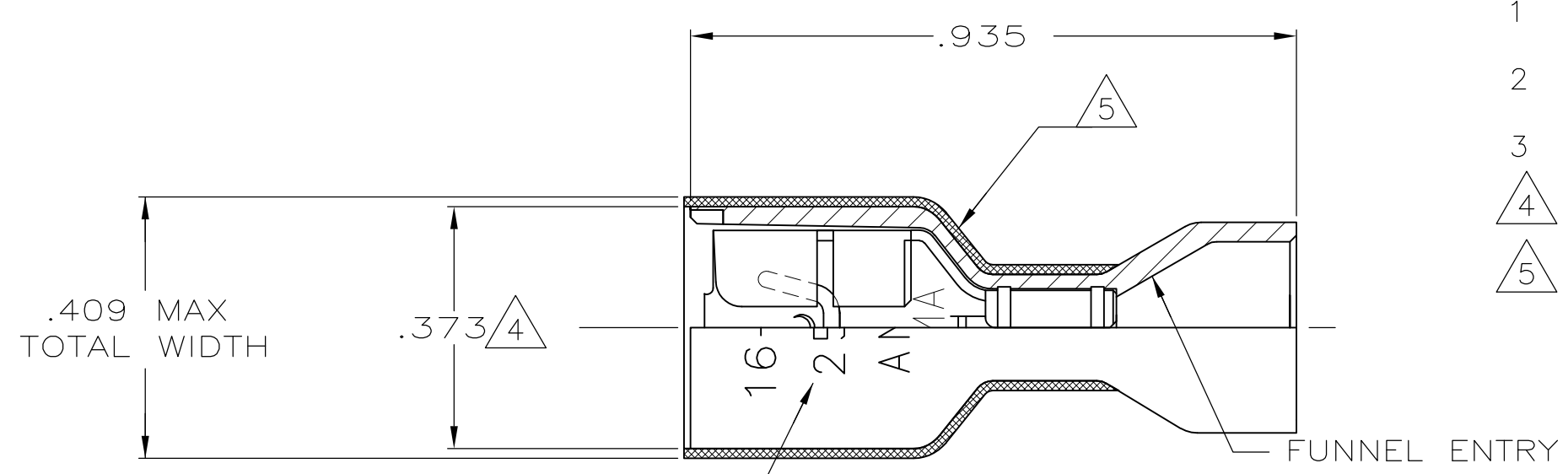
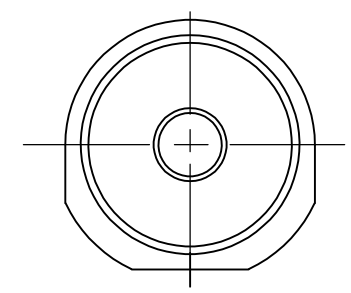
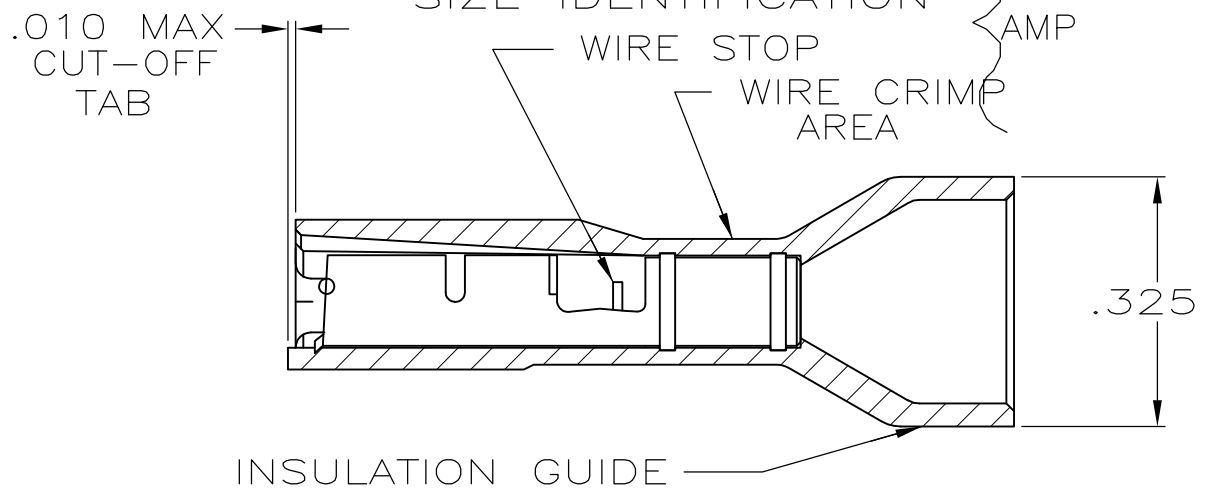
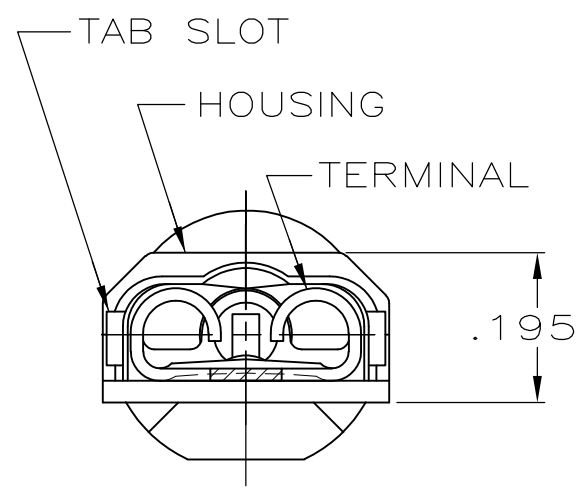


THIS DRAWING IS UNPUBLISHED. RELEASED FOR PUBLICATION
 © COPYRIGHT - By - ALL RIGHTS RESERVED.

LOC	DIST	REVISIONS					
		P	LTR	DESCRIPTION	DATE	DWN	APVD
AF	50		M	REVISED PER ECR-12-005303	18JUL12	KH	KR



- 1 MATES WITH .032±.001x.250 TAB
- 2 WIRE STRIP LENGTH .281
- 3 INSULATION SIZE .260 MAX DIA
- 4 DIMENSION DOES NOT INCLUDE TRIM BURR
- 5 .015 MAX CARRIER TRIM BURR PER SIDE IS ALLOWABLE IN THE SHADED AREA



HOUSING: NYLON, COLOR-BLUE TRANSLUCENT	3-520141-2
RECEPTACLE: #3 HARD BRASS, TIN	
MATERIAL & FINISH	PART NO

THIS DRAWING IS A CONTROLLED DOCUMENT.		DWN P FORTNEY 10/18/88	STE TE Connectivity		
DIMENSIONS: INCHES		CHK JR RUTH 10/18/88			
TOLERANCES UNLESS OTHERWISE SPECIFIED:		APVD K RANDOLPH 10/21/88	NAME RECEPTACLE ASSY, ULTRA-FAST, LOOSE PIECE, .250 SERIES, 16-14 AWG		
0 PLC ± -		PRODUCT SPEC 108-2043	SIZE CAGE CODE DRAWING NO RESTRICTED TO		
1 PLC ± -		APPLICATION SPEC 114-2123	A3 00779 C-520141		
2 PLC ± -		WEIGHT -	SCALE 4:1 SHEET 1 OF 1 REV M		
3 PLC ± .015		CUSTOMER DRAWING			
4 PLC ± -					
ANGLES ± -					
FINISH SEE TABLE					