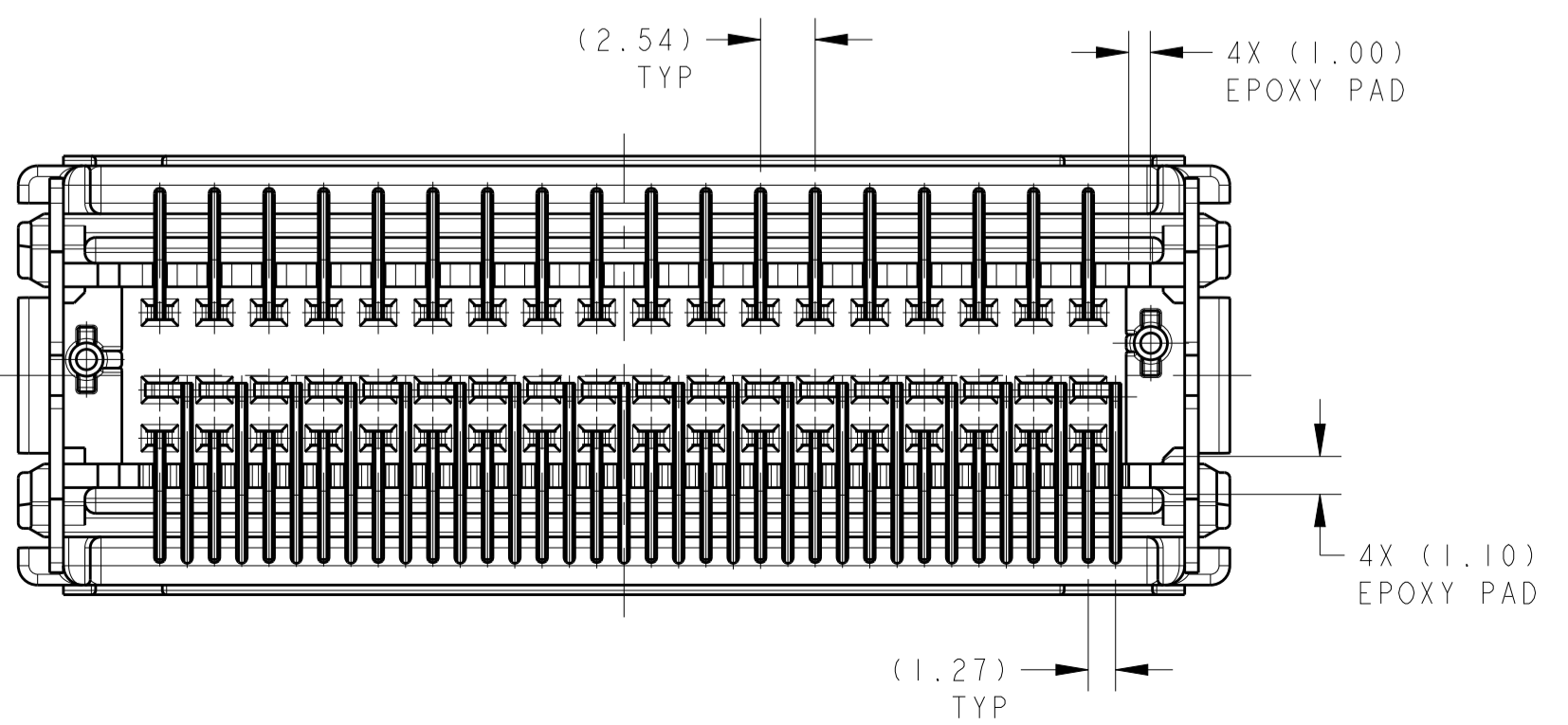
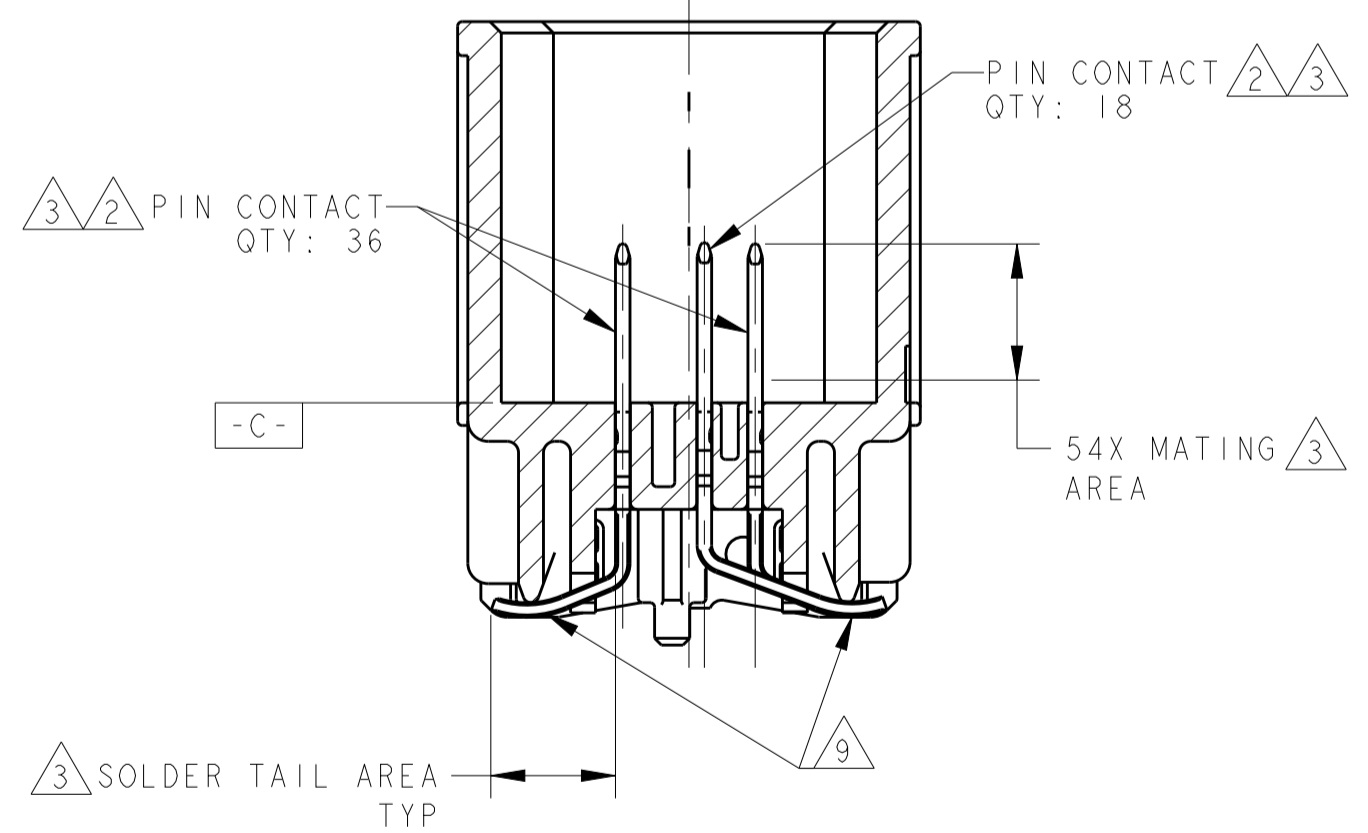
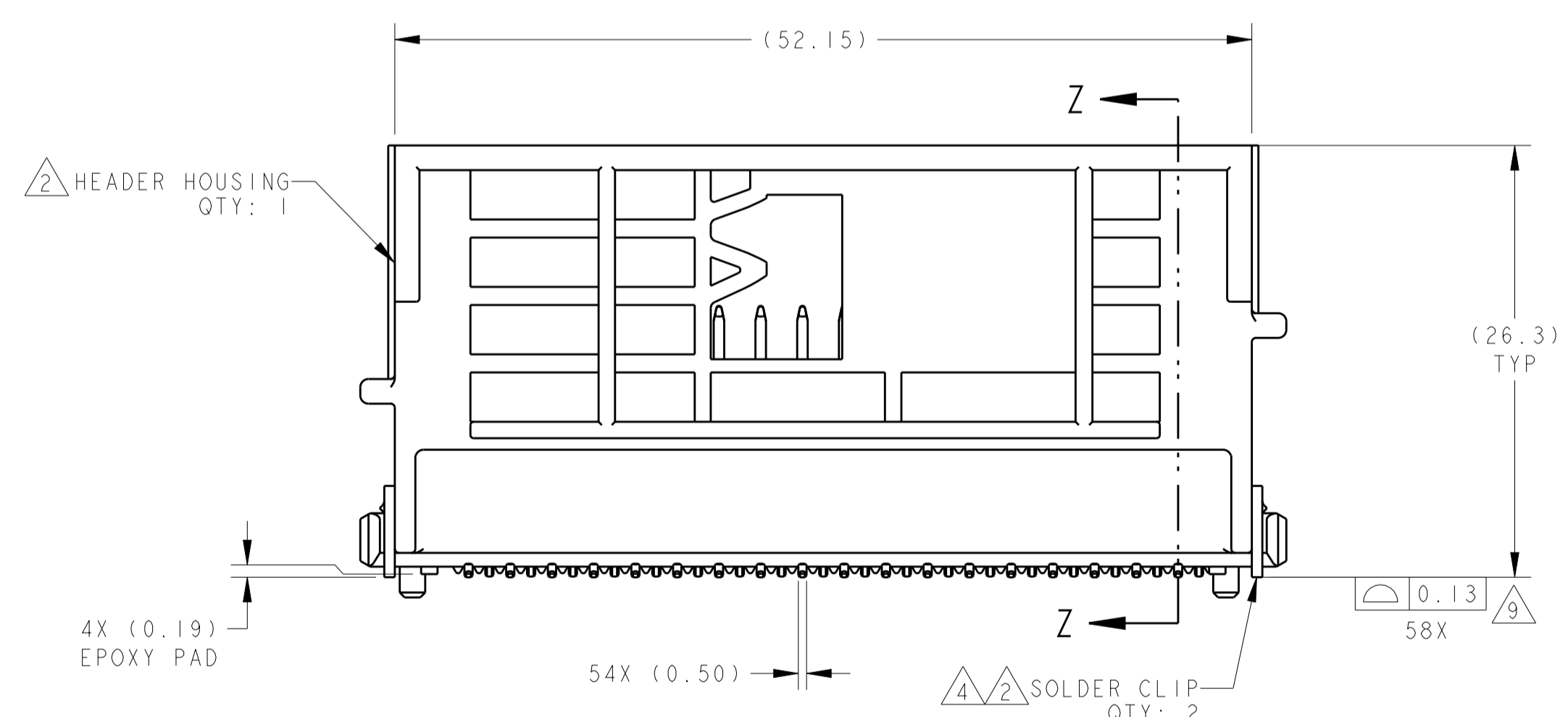
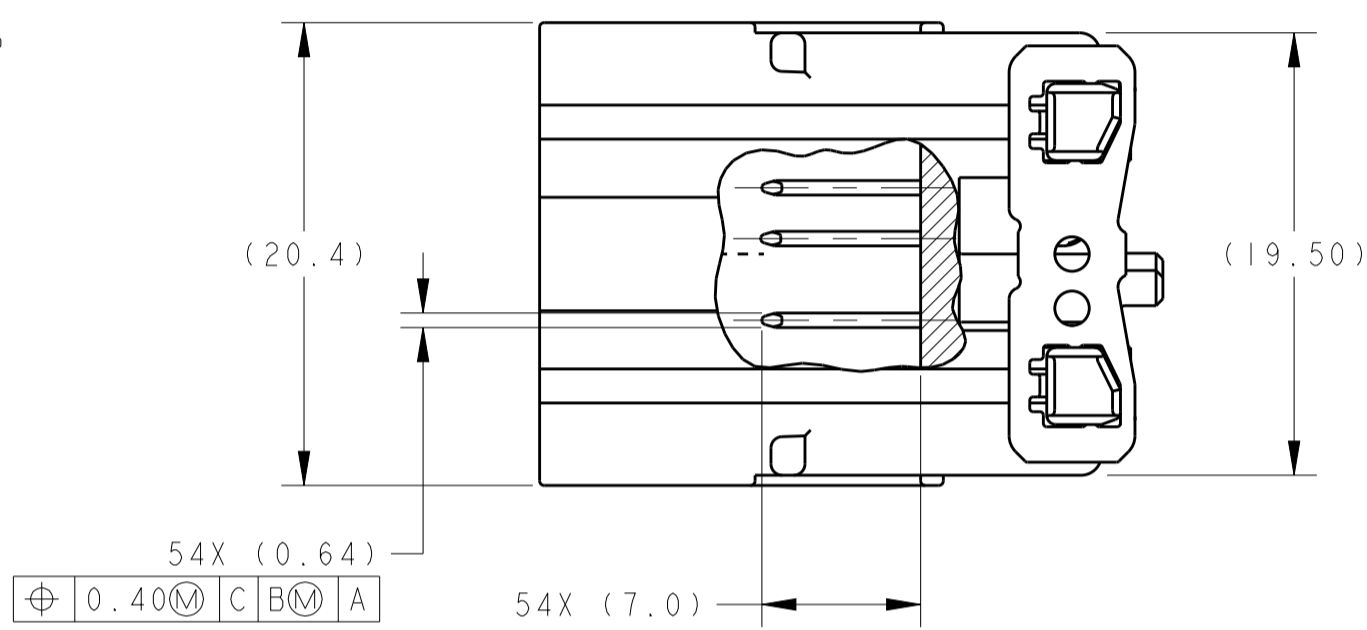
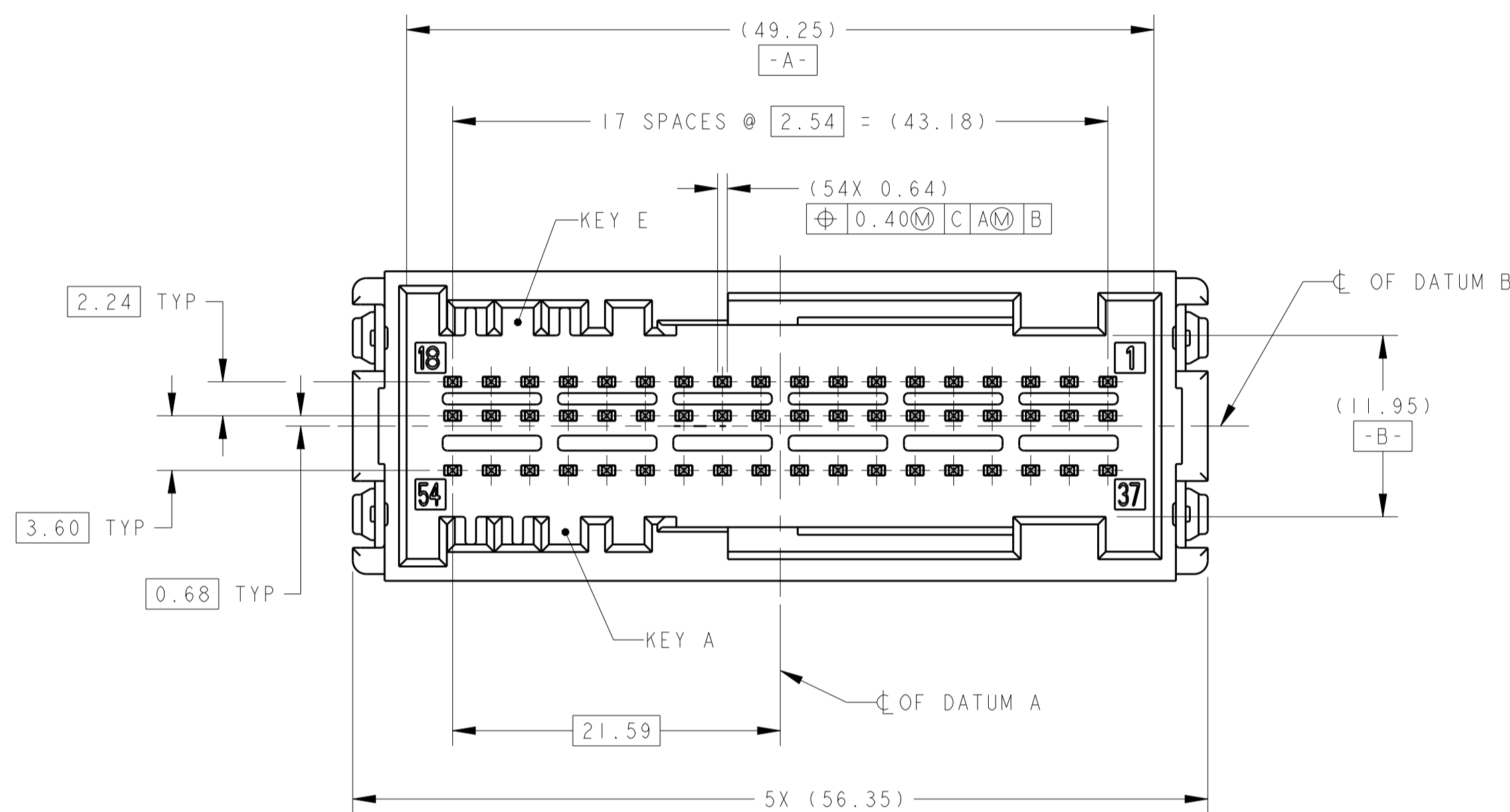
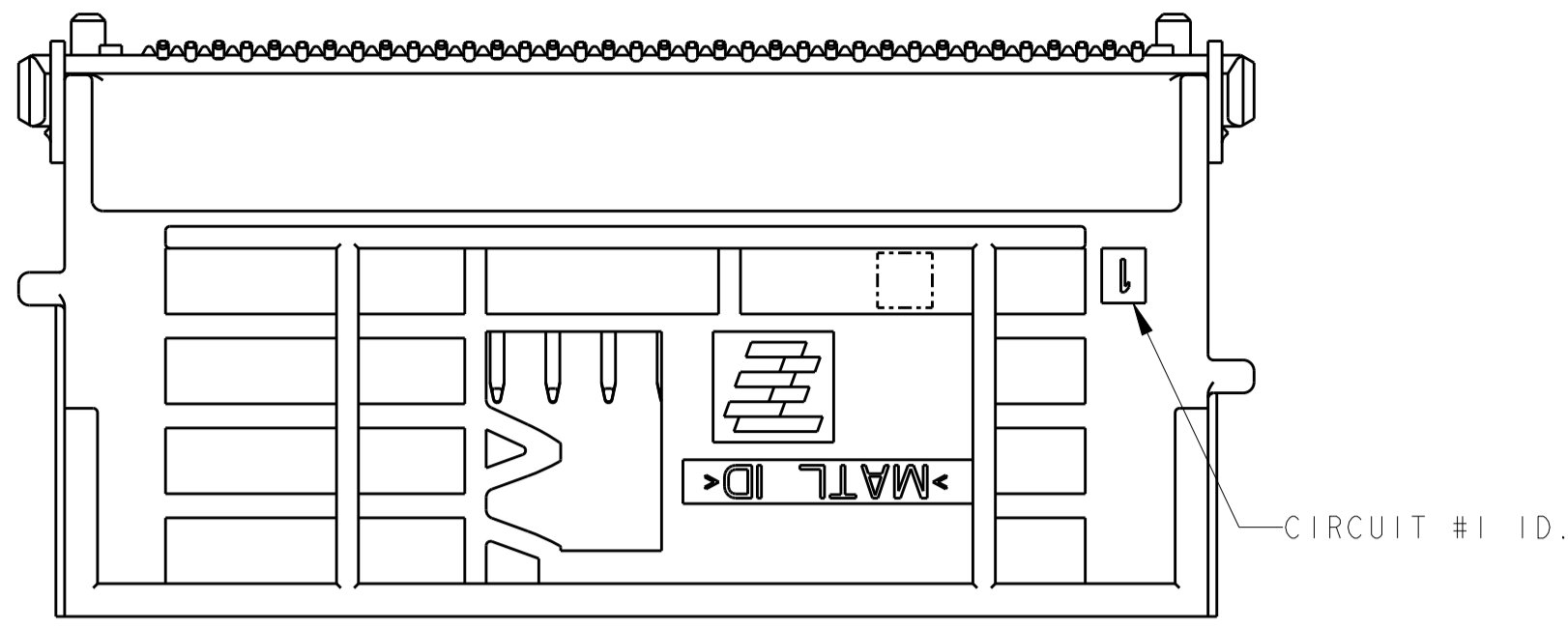
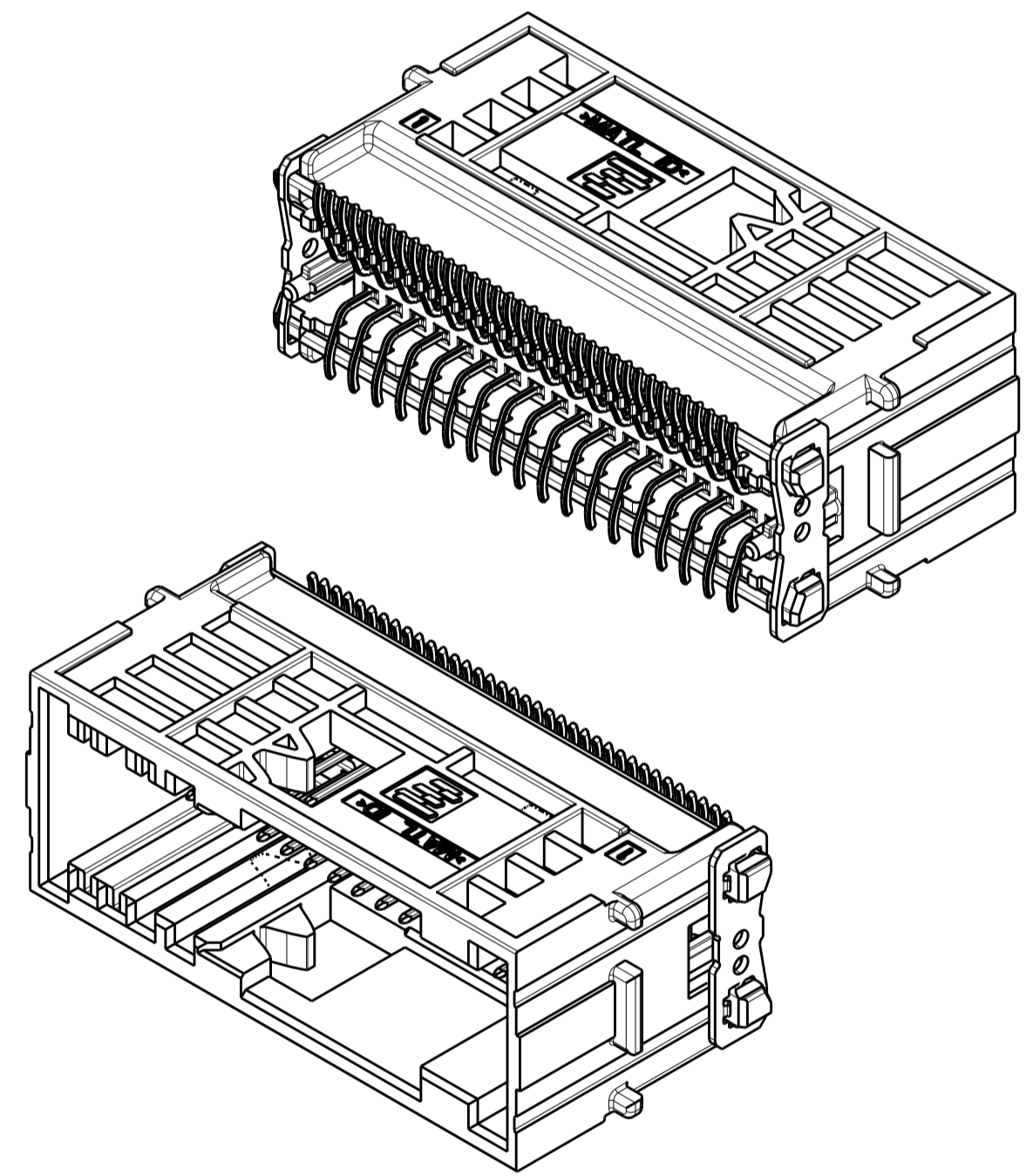


REVISIONS				
P.	LTN.	DESCRIPTION	DATE	APVD.
	D2	REVISED PER ECO-15-004309	19AUG2015	DLD CJS



- 2035239-1 SHOWN.
- HEADER HOUSING: POLYESTER PCT, BLACK.
PIN CONTACTS: BRASS.
SOLDER CLIPS: BRASS
- PIN CONTACTS: 0.8µm MIN TIN IN MATING AREA AND 2.5µm MIN TIN IN SOLDER TAIL AREA ALL OVER 1.00µm NICKEL.
- SOLDER CLIPS: 3.8µm MIN TIN OVER 1.27µm MIN NICKEL.
- DATUMS AND BASIC DIMENSIONS ESTABLISHED BY CUSTOMER.
- ALLOW FOR OVER PRINTING ON PC BOARD.
- SOLDER PASTE VOLUME PER LAYOUT
SOLDER TAIL, ROW 1 (1.27) = 0.938mm³
SOLDER TAIL, ROW 2 (2.54) = 0.953mm³
SOLDER PASTE THICKNESS CAN CHANGE BASED ON APERTURE SIZE BUT SHOULD NOT VIOLATE 0.15mm THICKNESS.
- THIS PRODUCT HAS COMPLETED VALIDATION TESTING.
- THE COPLANARITY REQUIREMENT APPLIES AT THE TANGENT OF THE RADIUS OF THE J-LEAD SOLDER TAILS AS SHOWN, NOT AT THE TIPS OF THE J-LEADS.

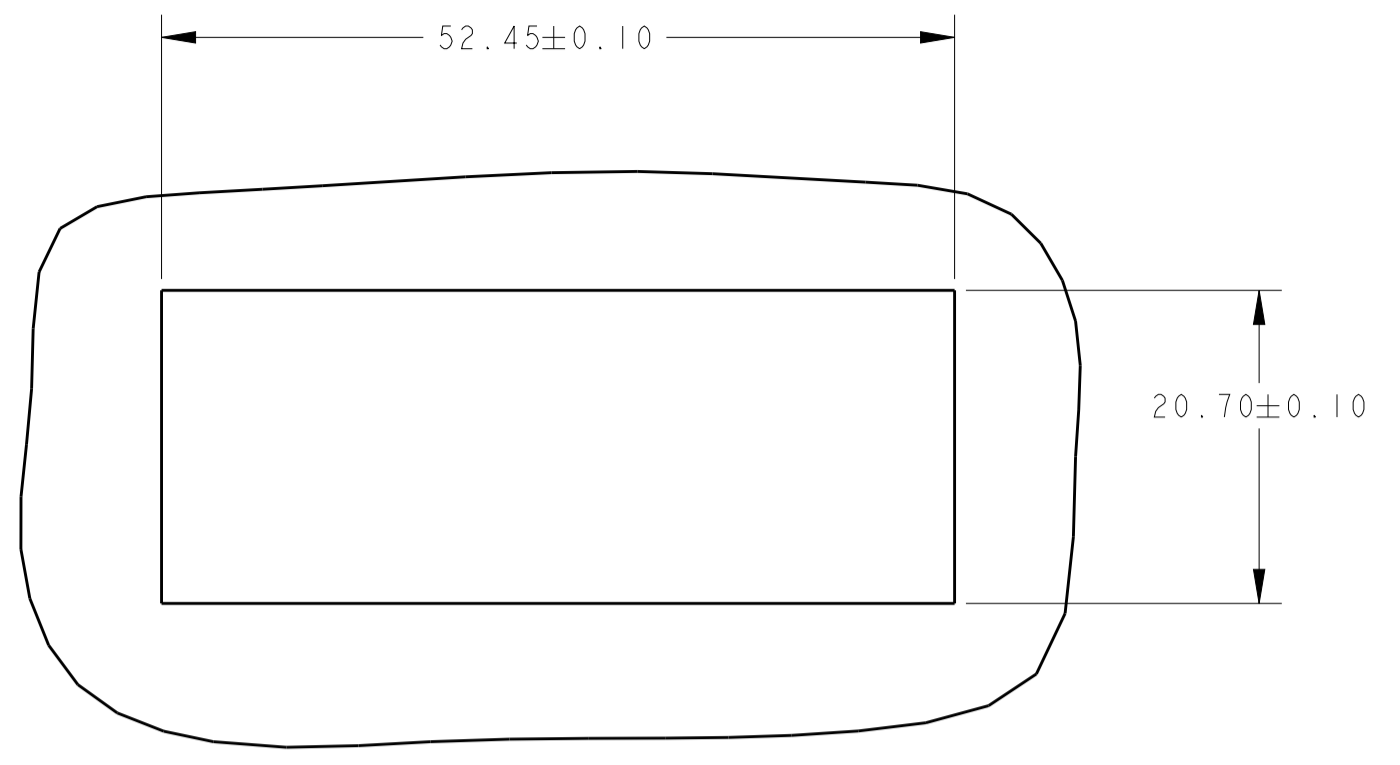


ISOMETRIC VIEWS
SCALE 2:1

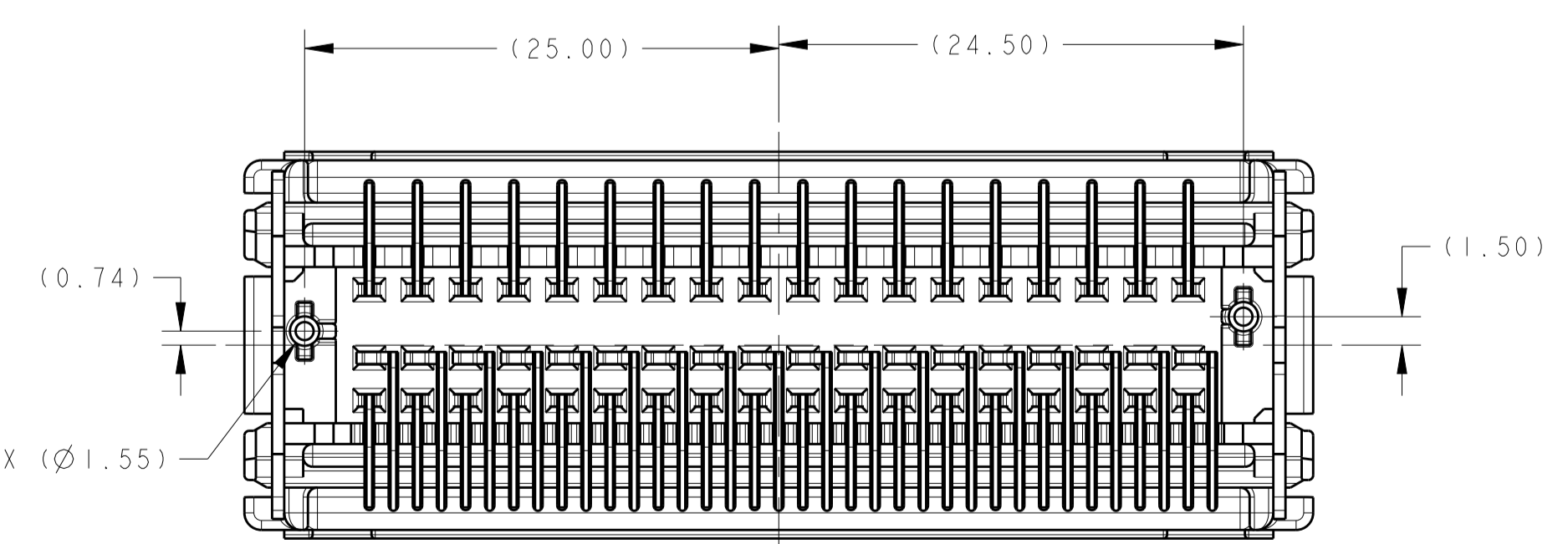
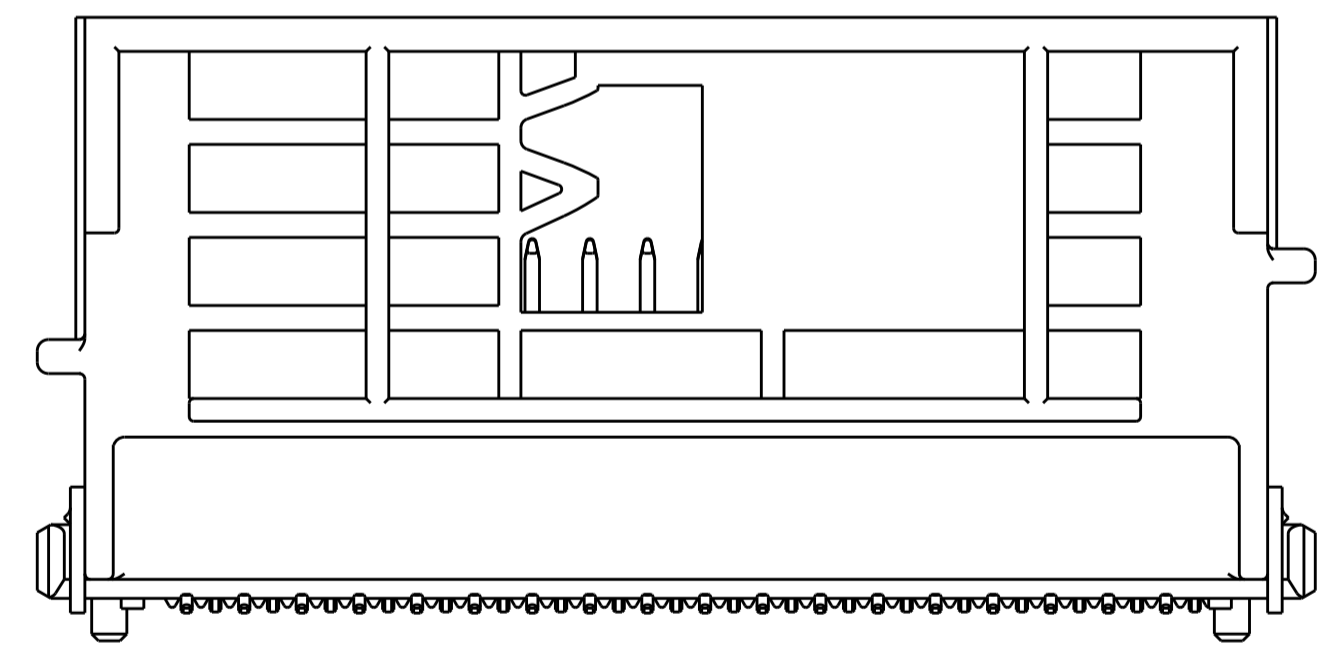
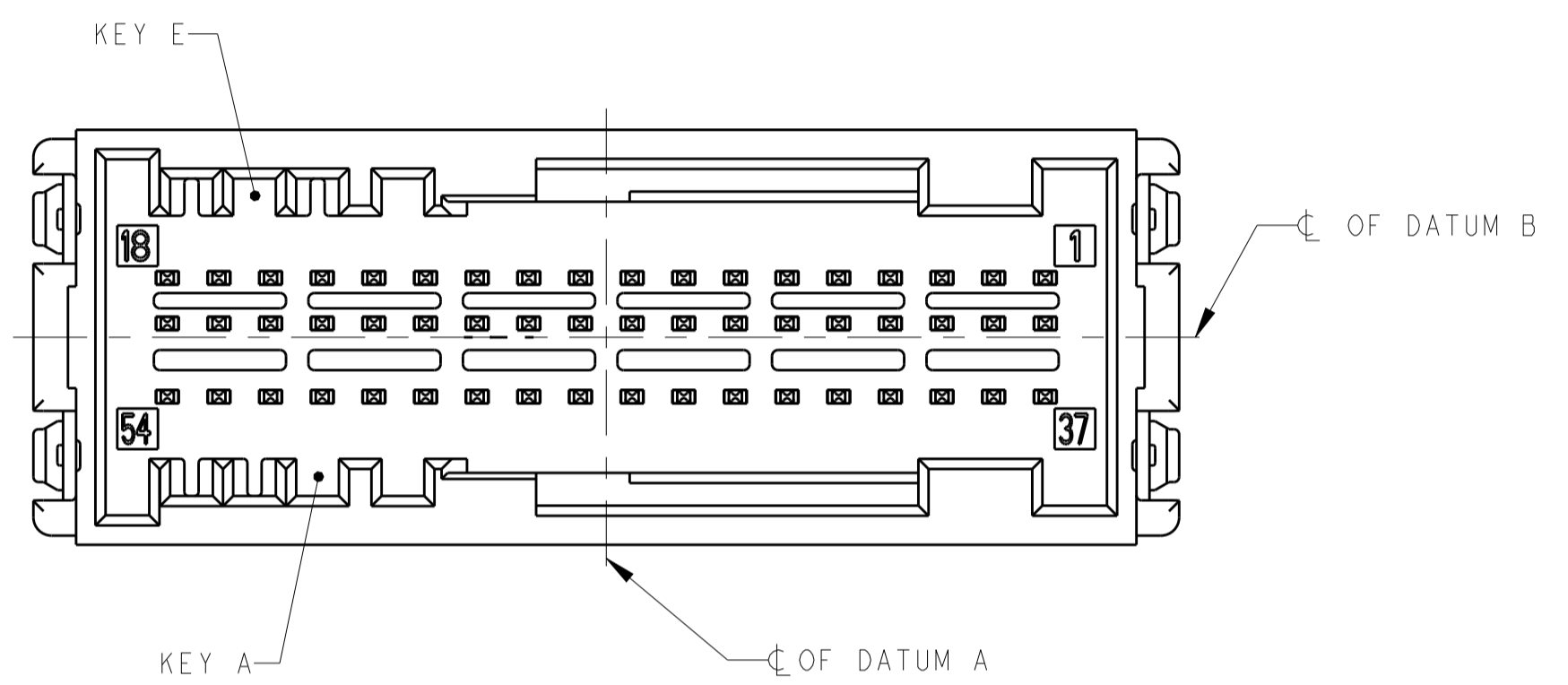
A-E	2035239-1
KEYING CODE OPTION	PART NUMBER

THIS DRAWING IS A CONTROLLED DOCUMENT. DIMENSIONING AND TOLERANCING PER ASME Y14.5M-2009.		DWN: K. FOLTZ 08MAY2008	
TOLERANCES UNLESS OTHERWISE SPECIFIED:		CHK: D. FRY 09MAY2008	
DIMENSIONS: mm		APVD: D. FRY 09MAY2008	
0 PLC ± 1 PLC ± 2 PLC ± 3 PLC ± 4 PLC ± ANGLES ±		NAME: HEADER ASSEMBLY, 54 POSITION, VERTICAL, SURFACE MOUNT, 0.64mm GENERATION Y, LAC SIZE: A100779 CAGE CODE: C=2035239 DRAWING NO: 2035239	
MATERIAL: 2		FINISH: SEE NOTES AND NOTE CALLOUTS	WEIGHT: - CUSTOMER DRAWING: - SCALE: 3:1 SHEET 1 OF 2 REV D2

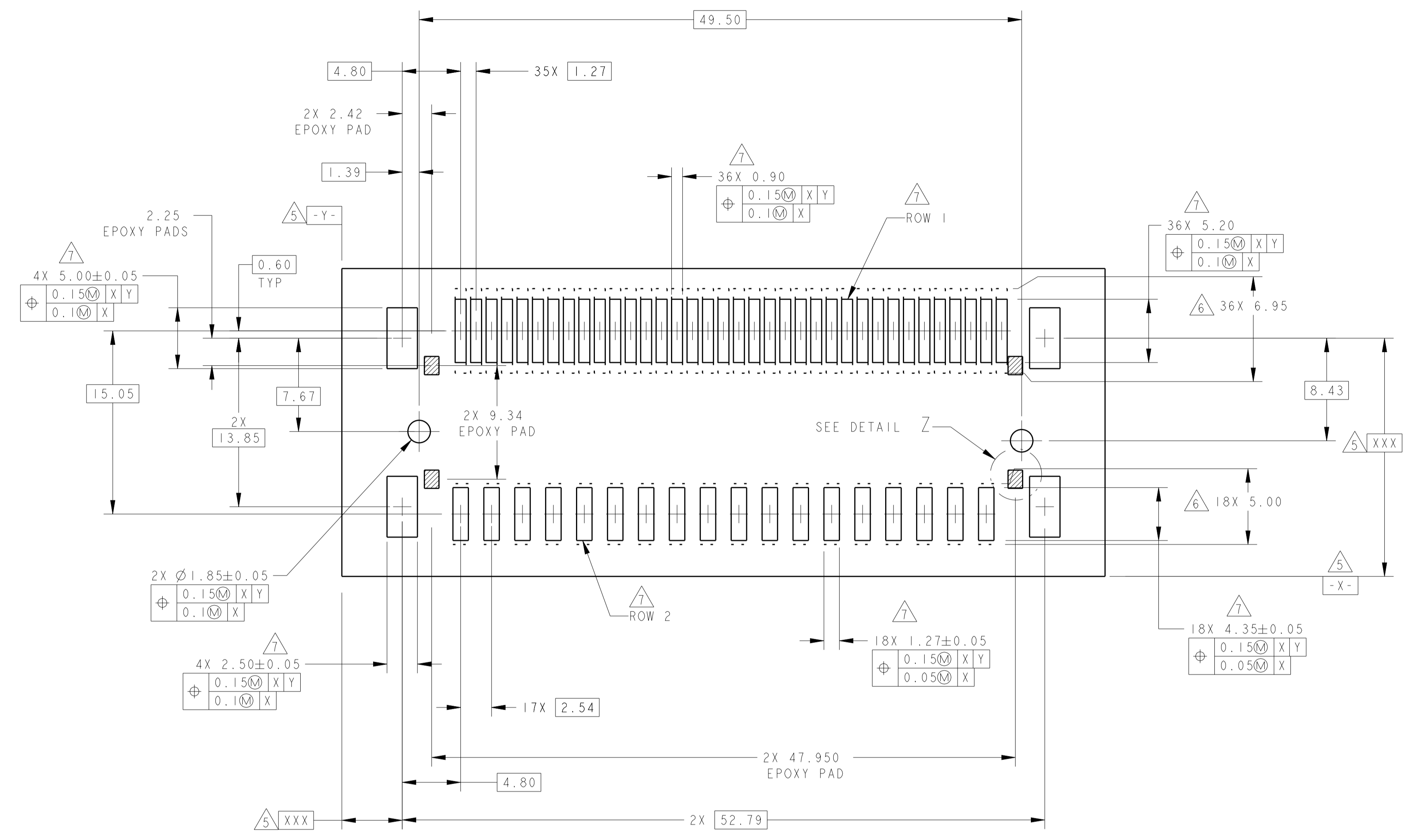
REVISIONS				
P.	LTN.	DESCRIPTION	DATE	APVD.
-	-	SEE SHEET 1	-	-



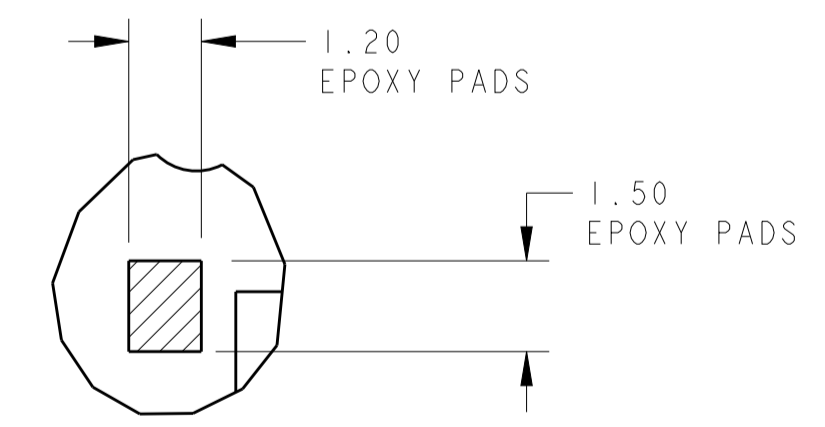
RECOMMENDED PANEL CUT-OUT
SCALE 2:1



KEY CODE AE
2035239-1 ONLY
SCALE 3:1



RECOMMENDED PC BOARD LAYOUT
CONNECTOR SIDE OF BOARD
SCALE 4:1



DETAIL Z
SCALE 8:1

THIS DRAWING IS A CONTROLLED DOCUMENT. DIMENSIONING AND TOLERANCING PER ASME Y14.5M-2009.		DWN A. FOLTZ 08MAY2008	 TE Connectivity
TOLERANCES UNLESS OTHERWISE SPECIFIED:		CHK D. FRY 09MAY2008	
DIMENSIONS:	mm	APVD D. FRY 09MAY2008	NAME HEADER ASSEMBLY, 54 POSITION, VERTICAL, SURFACE MOUNT, 0.64mm GENERATION Y, LAC
0 PLC ± 1 PLC ± 2 PLC ± 3 PLC ± 4 PLC ± ANGLES ±	0.150 X Y 0.100 X 0.150 X Y 0.100 X 0.150 X Y 0.050 X	PRODUCT SPEC	SIZE A100779
MATERIAL	FINISH SEE NOTES AND NOTE CALLOUTS	WEIGHT	CAGE CODE 2035239
CUSTOMER DRAWING		SCALE 3:1	RESTRICTED TO SHEET 2 OF 2 REV D2