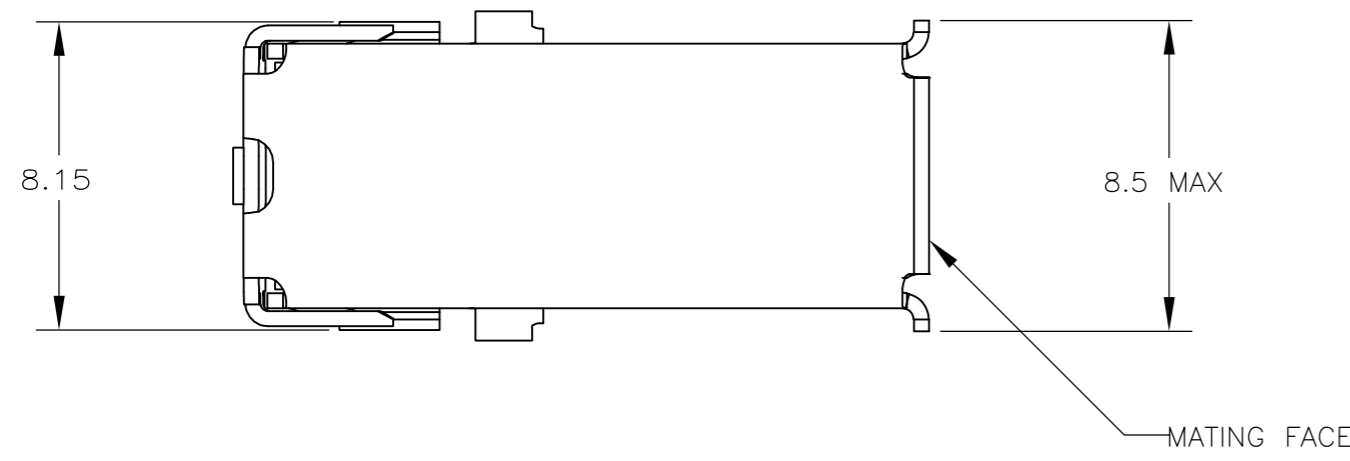
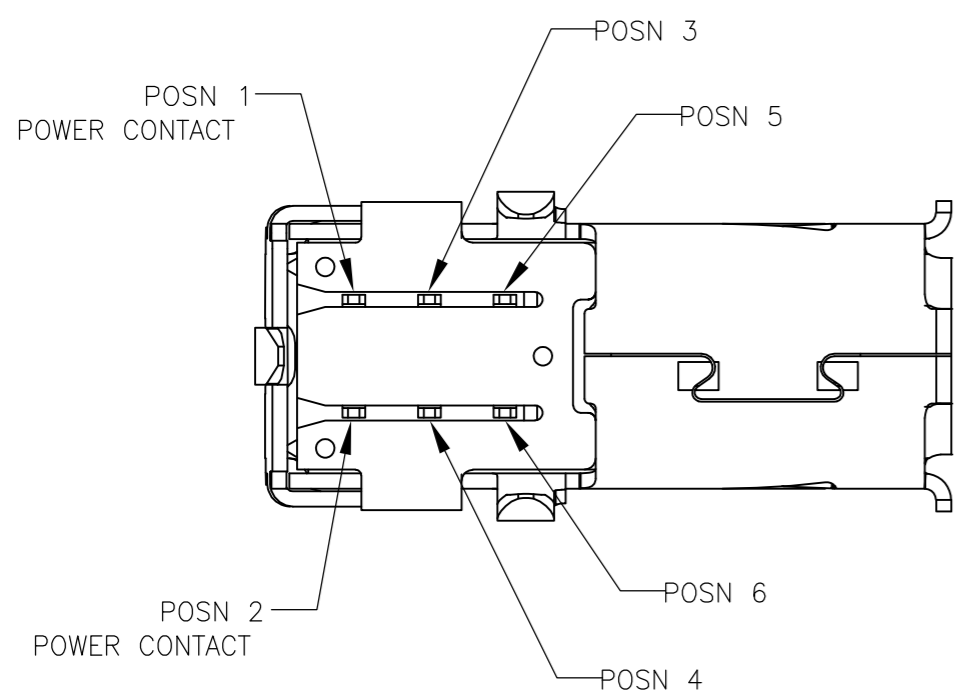
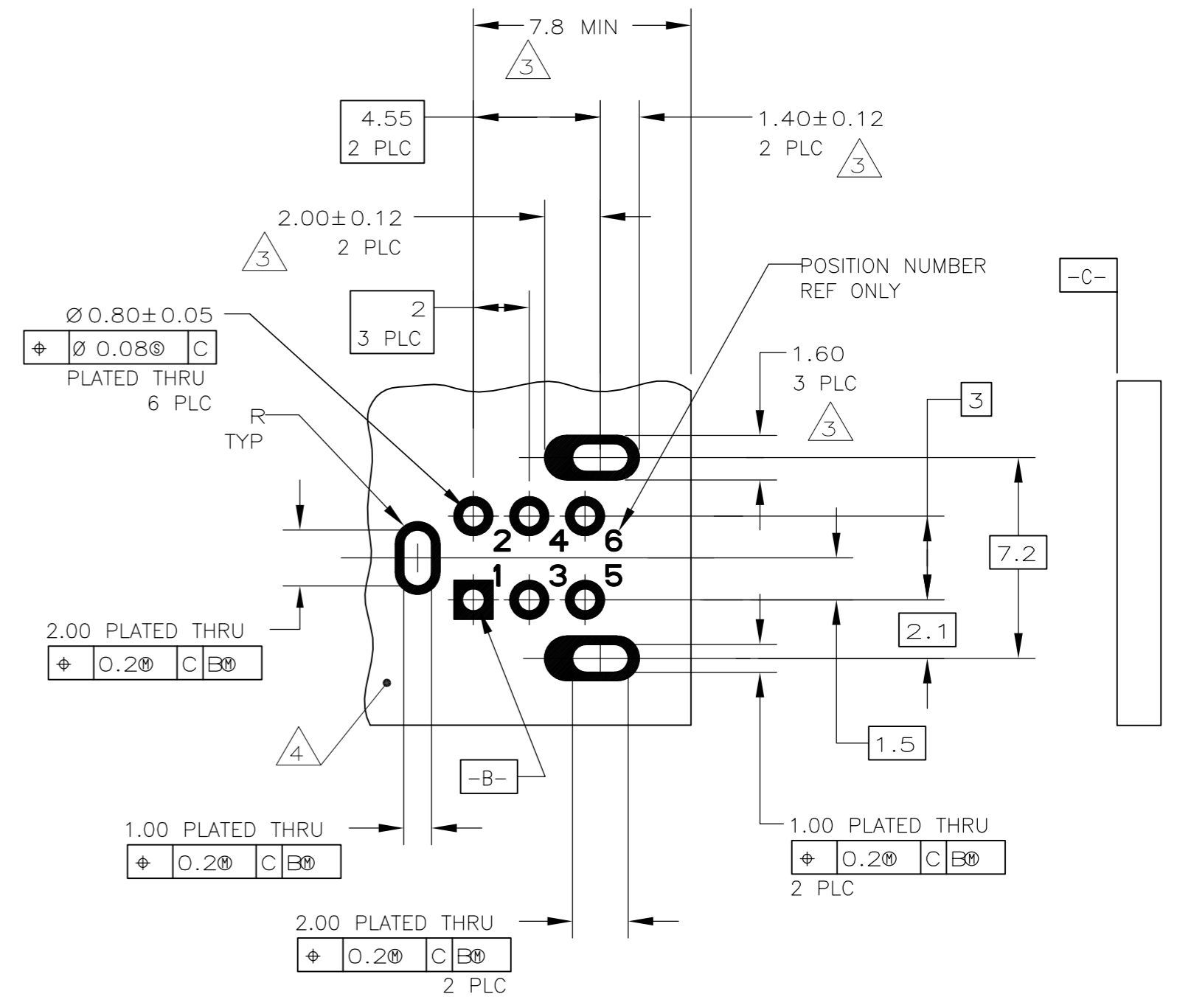
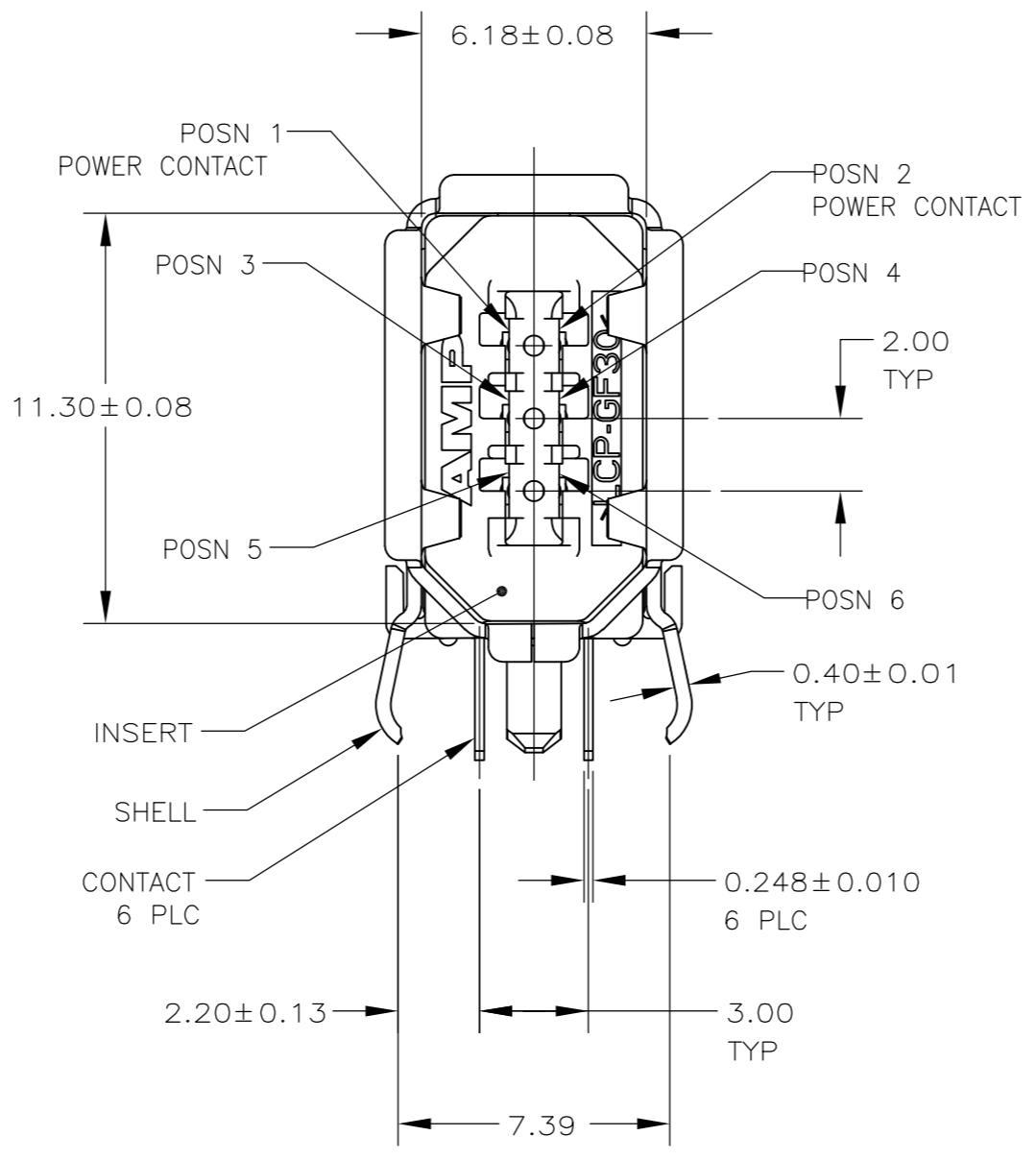
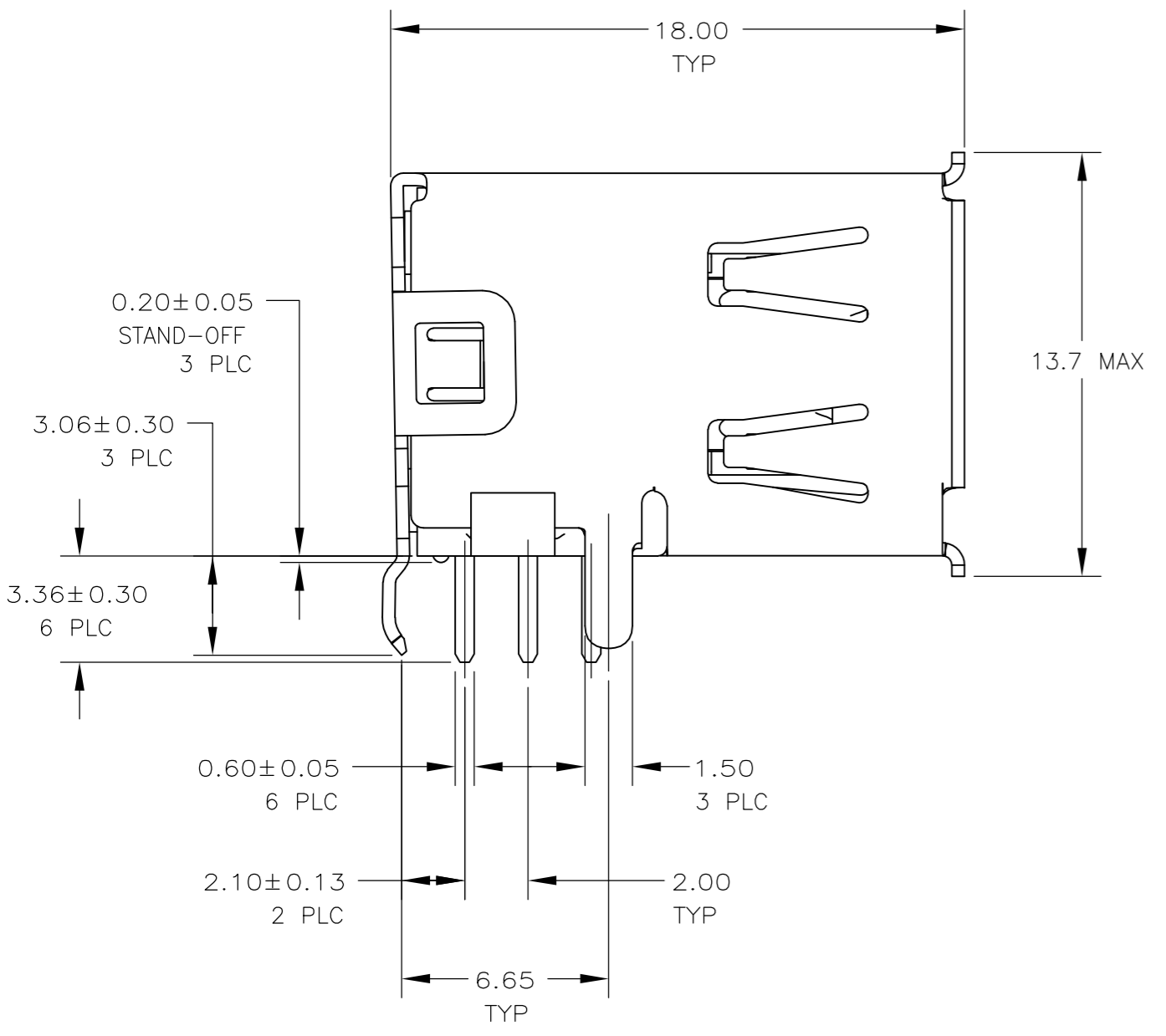


THIS DRAWING IS UNPUBLISHED. RELEASED FOR PUBLICATION  
 © COPYRIGHT - By - ALL RIGHTS RESERVED.

LOC		DIST		REVISIONS			
P	LTR	DESCRIPTION		DATE	DWN	APVD	
ES	00	P		REVISED PER ECO-11-005033	28MAR11	RK	HMR



- 1 CONTACTS: BRASS; SHELL: PHOS BRONZE; INSERT: LCP, BLACK, UL 94V-0 RATED.
- 2 CONTACTS: (0.076µm MIN GOLD OVER 0.76µm MIN PALLADIUM-NICKEL) OR (0.76µm MIN GOLD) FOR A LENGTH OF 2 MIN ON MATING FACE END, 3.81µm MIN TIN FOR A LENGTH OF 3.75 MIN ON OPPOSITE END, ALL OVER 1.27µm MIN NICKEL; SHELL: 2~5µm MIN TIN.
- 3 COORDINATE DIMENSION APPLIES FROM CENTER OF ACTUAL FEATURE.
- 4 CONNECTOR SIDE OF PWB IS SHOWN.



LEAD FREE

IN TRAYS	5787956-1
PACKAGING	PART NO

THIS DRAWING IS A CONTROLLED DOCUMENT.		DWN LEO ZHOU 05NOV04		
DIMENSIONS: mm		CHK STEVEN YAO 05NOV04		
TOLERANCES UNLESS OTHERWISE SPECIFIED:		APVD JENOMOTO 05NOV04	NAME SOCKET ASSEMBLY, FLANGED, RIGHT-ANGLE UPRIGHT, IEEE P1394	
0 PLC ± -	1 PLC ± -	PRODUCT SPEC	SIZE A2	CAGE CODE 00779
2 PLC ± -	3 PLC ± -	APPLICATION SPEC	DRAWING NO C=5787956	RESTRICTED TO
4 PLC ± -	ANGLES ± -	FINISH	SCALE 5:1	SHEET 1 OF 1
MATERIAL - 1	FINISH - 2	WEIGHT -	CUSTOMER DRAWING	REV P