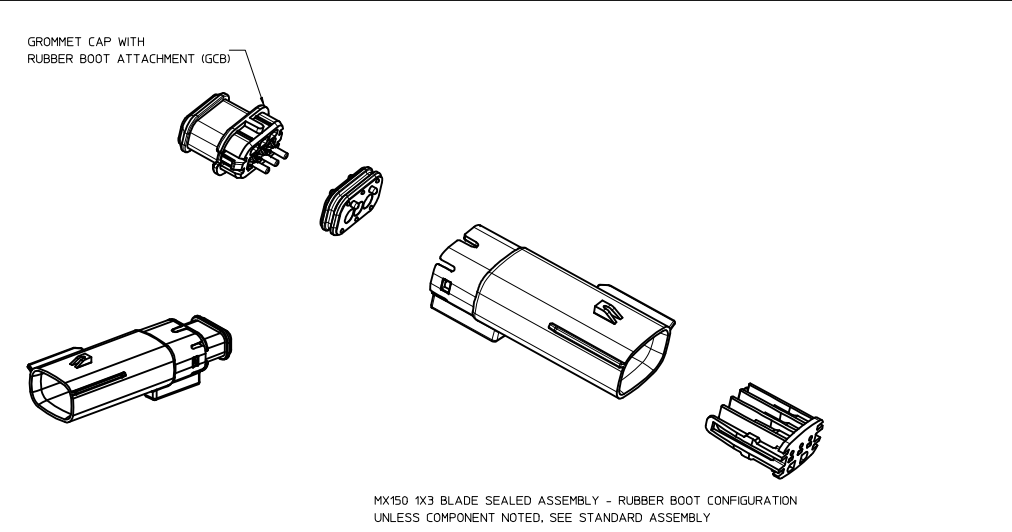
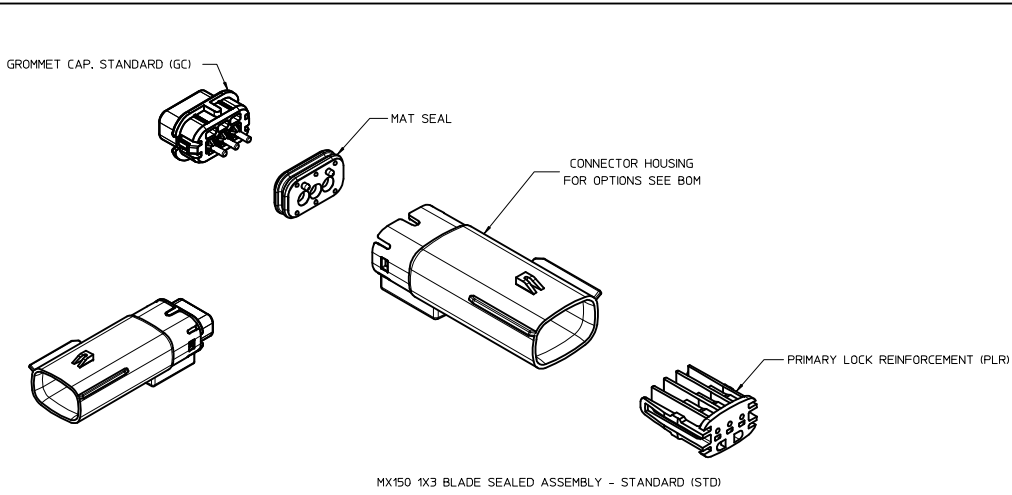


TABLE OF CONTENTS	
SHEET NO.	SHEET DESCRIPTION
1	NOTES
2	KEY CONFIGURATIONS
3	BLADE SEALED ASSEMBLY
4	SYSTEM PACKAGING
5	RUBBER BOOT CONFIGURATION
6	BOH
7	RUBBER BOOT INTERFACE



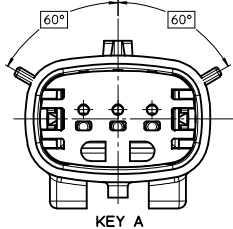
NOTES: VALID UNLESS OTHERWISE SPECIFIED

- GENERAL:
 - APPLICATION SPECIFICATION SEE: AS-33472-100
CONTAINS: PRODUCT INTRODUCTION, PRODUCT SUMMARY, CONNECTOR ASSEMBLY, PACKAGING INFORMATION, CONNECTOR MATING, SERVICE INSTRUCTIONS, ELECTRICAL CONTINUITY CHECKING, CRIMPING, AND TROUBLESHOOTING.
-DESIGNED TO MATE WITH RECEPTACLE SEALED ASSEMBLY SPECIFIED IN MOLEX DRAWING SD-33471-031.
-FOR 1.5mm BLADE TERMINALS TO BE USED WITH THIS ASSEMBLY SEE MOLEX DRAWING SD-33000-001.
- SYSTEM TO BE USED WITH WIRE WITH DIAMETER RANGE OF 1.2mm TO 2.69mm.
-ASSEMBLY SHIPPED WITH PLR IN PRE-LOCK POSITION
-IN THE EVENT THAT THE PLR IS FOUND IN THE SEATED (FINAL LOCK) POSITION, REFER TO MOLEX SPECIFICATION PS-34646-001, AVAILABLE AT www.molex.com <<http://www.molex.com>>
-ASSEMBLY CONFORMS TO SAE/USCAR-2 REV.4 WITH THE FOLLOWING EXCEPTIONS:
TERMINAL INSERTION FORCE FOR WIRE DIAMETER ABOVE 2.5mm NOT EXCEEDING 2.69mm SHALL NOT EXCEED 45 NEWTONS.
 - PRODUCT SPECIFICATION SEE: PS-33471-000
CONTAINS: PRODUCT INTRODUCTION, PRODUCT SUMMARY, RATINGS (CURRENT, TEMPERATURE, SEALING, AND FLAMMABILITY), AND PRODUCT VALIDATION.
 - PACKAGING SPECIFICATION PER MOLEX DRAWING: PK-31300-635
 - PARTS MUST BE IN COMPLIANCE TO MOLEX CHEMICAL SUBSTANCES FOR PRODUCTS AND PACKAGING SPECIFICATION PS-40000-5016
 - DATA MUST BE SUBMITTED UNDER THE MOLEX PART NUMBER TO IMDS (COMPANY ID#13255)
- DESIGN - MATERIALS:
 - CONNECTOR HOUSING, GROMMET CAP, PLR: SPS/NYLON BLEND 20% GLASS FILLED
 - MAT SEAL: INHERENTLY LUBRICATED SILICONE
- DESIGN - GEOMETRY:
 - THIS IS A 100% CAD GENERATED PART. THE CAD MATHEMATICAL DATA IS THE MASTER FOR THIS PART. FOR DIMENSIONAL OR ANY INFORMATION NOT SHOWN ON THIS DRAWING, ANALYZE THE CAD MODEL.
 - GEOMETRIC DIMENSIONS AND TOLERANCES PER ASME Y14.5M - 1994
 - EDGES AND UNDIMENSIONED DETAILS PER ISO13715
 - CORNERS SHOWN AS SHARP TO BE R 0.2 MAX.
 - LETTERING SHALL BE 0.15 MAX RAISED IN 0.25 MAX RECESS PAD. THIS INCLUDES RECYCLING CODE, CAVITY ID, VENDOR IDENTIFICATION, AND CUSTOMER MATERIAL NUMBER.
 - VISUAL DEFECTS SHALL MEET COSMETIC STANDARD PS-45499-002 (Class B)
 - LASER MARKING: TBD

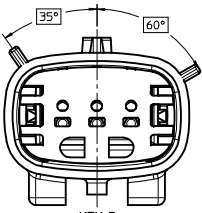
INSPECTION NUMBER LOG
LAST NUMBER USED: 21
ADDED:
REMOVED:

R3	DEVIATED THE DM 16																		
R2	RELEASED P/N 33481-0341																		
R1	RELEASED P/N 33481-0340, DELETED P/N 33481-0331																		
R	ADD RUBBER BOOT CONFIGURATION																		
Q	UPDATE P/N 33481-0326 TO 33481-0330																		
P	ADD NEW P/N 33481-0326																		
N	UPDATED GROMMET CAP																		
M3	UPDATED DIMENSIONS TO MATCH MODEL																		
M2	COLOR REPLACEMENT FOR KEY C AND D PER USCAR STANDARD																		
M1	UPDATED NOTES																		
M	REDRAWN																		
REV	DESCRIPTION																		
	<table border="0"> <tr> <td>MM ONLY</td> <td>SCALE 3:1</td> <td>THIRD ANGLE PROJECTION</td> </tr> <tr> <td>DRAWN BY DMARCOUX</td> <td>DATE 06-12-02</td> <td>TITLE</td> </tr> <tr> <td>CHECKED BY DGRIFFIT</td> <td>DATE 06-12-02</td> <td></td> </tr> <tr> <td>APPROVED BY FHOLUB</td> <td>DATE 06-12-02</td> <td></td> </tr> </table>	MM ONLY	SCALE 3:1	THIRD ANGLE PROJECTION	DRAWN BY DMARCOUX	DATE 06-12-02	TITLE	CHECKED BY DGRIFFIT	DATE 06-12-02		APPROVED BY FHOLUB	DATE 06-12-02							
MM ONLY	SCALE 3:1	THIRD ANGLE PROJECTION																	
DRAWN BY DMARCOUX	DATE 06-12-02	TITLE																	
CHECKED BY DGRIFFIT	DATE 06-12-02																		
APPROVED BY FHOLUB	DATE 06-12-02																		
	<table border="0"> <tr> <td>GENERAL TOLERANCES (UNLESS SPECIFIED):</td> <td>mm</td> <td>INCH</td> </tr> <tr> <td>▽=0</td> <td>4 PLACES ±---</td> <td>±---</td> </tr> <tr> <td>▽=0</td> <td>3 PLACES ±---</td> <td>±---</td> </tr> <tr> <td>▽=0</td> <td>2 PLACES ±0.10</td> <td>±---</td> </tr> <tr> <td>▽=0</td> <td>1 PLACE ±0.3</td> <td>±---</td> </tr> <tr> <td>▽=0</td> <td>0 PLACE ±</td> <td>±</td> </tr> </table>	GENERAL TOLERANCES (UNLESS SPECIFIED):	mm	INCH	▽=0	4 PLACES ±---	±---	▽=0	3 PLACES ±---	±---	▽=0	2 PLACES ±0.10	±---	▽=0	1 PLACE ±0.3	±---	▽=0	0 PLACE ±	±
GENERAL TOLERANCES (UNLESS SPECIFIED):	mm	INCH																	
▽=0	4 PLACES ±---	±---																	
▽=0	3 PLACES ±---	±---																	
▽=0	2 PLACES ±0.10	±---																	
▽=0	1 PLACE ±0.3	±---																	
▽=0	0 PLACE ±	±																	
	ANGULAR ± 3 °																		
	DRAFT WHERE APPLICABLE MUST REMAIN WITHIN DIMENSIONS																		
	MATERIAL NO. SEE BOM																		
	DOCUMENT NO. SD-33481-031																		
	SHEET NO. 1 OF 7																		
	THIS DRAWING CONTAINS INFORMATION THAT IS PROPRIETARY TO MOLEX INCORPORATED AND SHOULD NOT BE USED WITHOUT WRITTEN PERMISSION																		

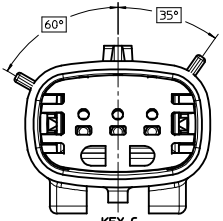
KEY CONFIGURATIONS



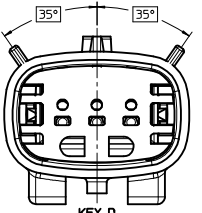
KEY A



KEY B



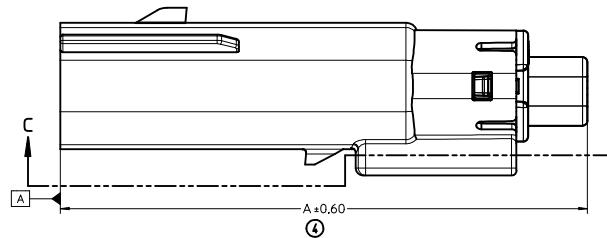
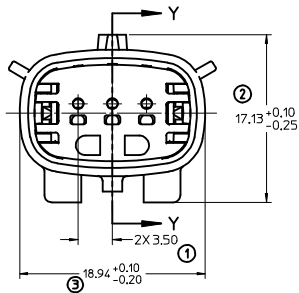
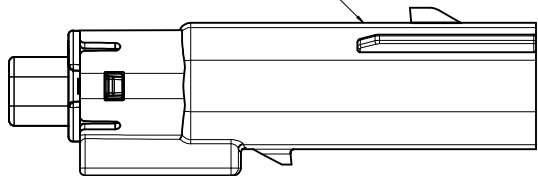
KEY C



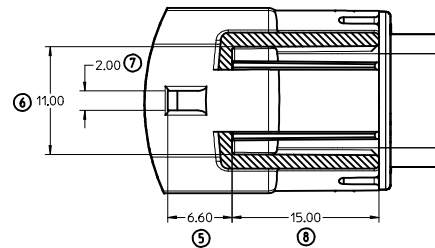
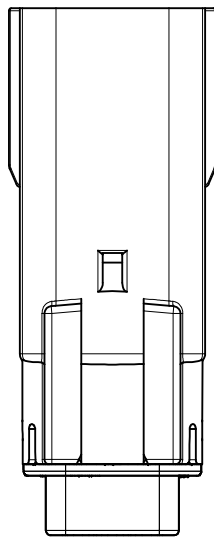
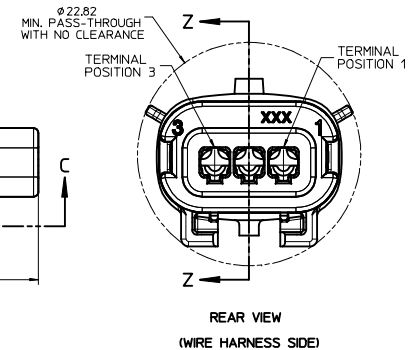
KEY D

SEE REV. COLUMN EC NO. UAU2015-0191 DRAWN: LONGOS 2014/08/13 CHKD: XIANG 2014/08/13 APPR: IKOSHY 2014/09/05	QUALITY SYMBOLS ▽=0 ▽=0 ▽=0	GENERAL TOLERANCES (UNLESS SPECIFIED)		DIMENSION STYLE MM ONLY	SCALE 4:1	DESIGN UNITS METRIC	THIRD ANGLE PROJECTION		
		4 PLACES ± mm ± INCH	3 PLACES ± --- ± ---	2 PLACES ± 0.10 ± ---	1 PLACE ± 0.3 ± ---	0 PLACE ± ±	DRAWN BY DMARCOUX 06-12-02	DATE	TITLE MX150 1X3 BLADE SEALED ASSEMBLY MAT SEAL
		ANGULAR ± 3 °		DRAFT WHERE APPLICABLE MUST REMAIN WITHIN DIMENSIONS		MATERIAL NO. SEE BOM	APPROVED BY FHOLUB 06-12-02	DATE	DOCUMENT NO. SD-33481-031
		SIZE D		THIS DRAWING CONTAINS INFORMATION THAT IS PROPRIETARY TO MOLEX INCORPORATED AND SHOULD NOT BE USED WITHOUT WRITTEN PERMISSION					

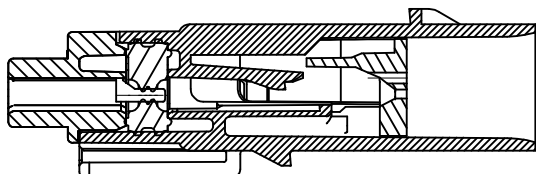
LASER MARKING THIS SURFACE
SEE NOTE 3g.



BLADE SEALED ASSEMBLY

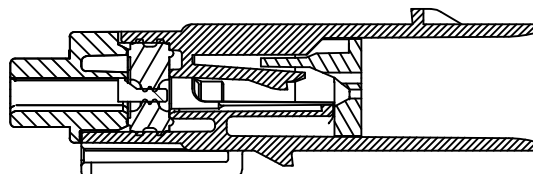


SECTION C-C



PRIMARY LOCK REINFORCEMENT (PLR) SHOWN
IN PRE-STAGED POSITION

SECTION Z-Z

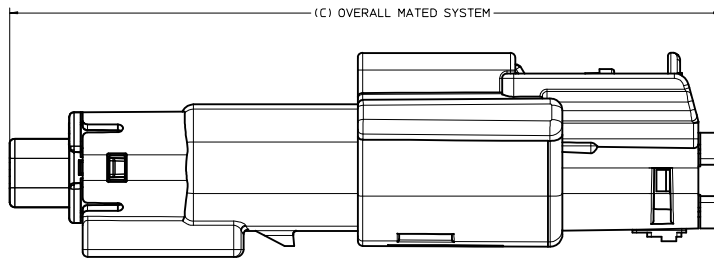


PRIMARY LOCK REINFORCEMENT (PLR) SHOWN
IN FINAL-LOCK POSITION

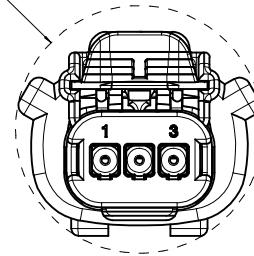
SECTION Y-Y

CHARTED DIMENSIONS	
CONFIGURATION	A
MX150 1X3 BLADE SEALED ASSEMBLY - STANDARD	53.85
MX150 1X3 BLADE SEALED ASSEMBLY - RUBBER BOOT CONFIGURATION	57.85

SEE REV. COLUMN ELEC NO. UAU2015-0191 DRAWN BY: 2014/08/13 CHYKX818ANG APPR: KYOSHY 2014/09/05	QUALITY SYMBOLS	GENERAL TOLERANCES (UNLESS SPECIFIED)	DIMENSION STYLE	SCALE	DESIGN UNITS	THIRD ANGLE PROJECTION
	▽=0	mm INCH	MM ONLY	4:1	METRIC	☉
	▽=0	4 PLACES ± --- ± ---	DRAWN BY: DMARCOUX	DATE: 06-12-02	TITLE: MX150 1X3 BLADE SEALED ASSEMBLY MAT SEAL	
	▽=0	3 PLACES ± --- ± ---	CHECKED BY: DGRIFFIT	DATE: 06-12-02	DOCUMENT NO. SD-33481-031	
▽=0	2 PLACES ± 0.10 ± ---	APPROVED BY: FHOLUB	DATE: 06-12-02	MATERIAL NO. SEE BOM	SHEET NO. 3 OF 7	
▽=0	1 PLACE ± 0.3 ± ---	ANGULAR ± 3 °	SIZE D	THIS DRAWING CONTAINS INFORMATION THAT IS PROPRIETARY TO MOLEX INCORPORATED AND SHOULD NOT BE USED WITHOUT WRITTEN PERMISSION		



∅25.30
MIN. PASS-THROUGH
WITH NO CLEARANCE

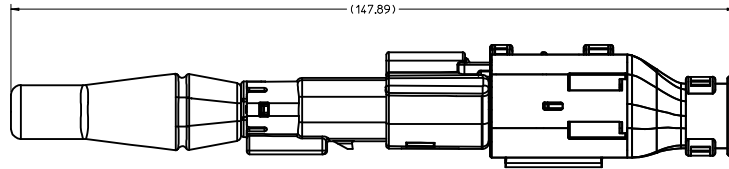


CHARTED DIMENSIONS	
CONFIGURATION	C
MX150 1X3 BLADE SEALED ASSEMBLY - STANDARD	72.71
MX150 1X3 BLADE SEALED ASSEMBLY - RUBBER BOOT CONFIGURATION	76.71

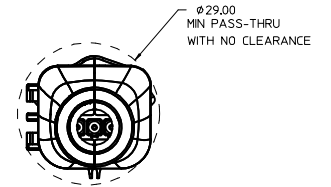
SEE REV. COLUMN EEC NO. UAU2015-0191 DRAWN: LSONGOS 2014/08/13 CHECKED: XBTANG 2014/08/13 APPR: WKOSHY 2014/09/05	QUALITY SYMBOLS ∇=0 ∇=0 ∇=0	GENERAL TOLERANCES (UNLESS SPECIFIED) mm INCH 4 PLACES ± --- ± --- 3 PLACES ± --- ± --- 2 PLACES ± 0.10 ± --- 1 PLACE ± 0.3 ± --- 0 PLACE ± ±		DIMENSION STYLE MM ONLY	SCALE 4:1	DESIGN UNITS METRIC	THIRD ANGLE PROJECTION
		ANGULAR ± 3 ° DRAFT WHERE APPLICABLE MUST REMAIN WITHIN DIMENSIONS		DRAWN BY DATE DMARCOUX 06-12-02 CHECKED BY DATE DGRIFFIT 06-12-02 APPROVED BY DATE FHOLUB 06-12-02	MATERIAL NO. SEE BOM	DOCUMENT NO. SD-33481-031	SHEET NO. 4 OF 7

MX150 1X3 BLADE SEALED ASSEMBLY MAT SEAL

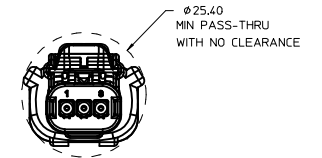
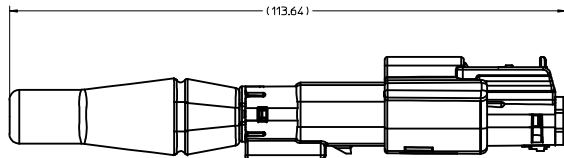




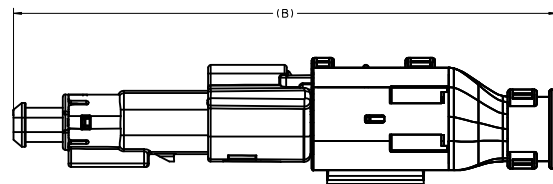
RUBBER BOOT CONFIGURATION



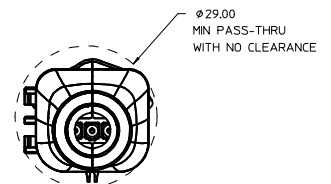
OVERALL MATED SYSTEM WITH BLADE RUBBER BOOT AND RECEPTACLE BACKSHELL



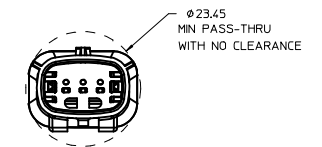
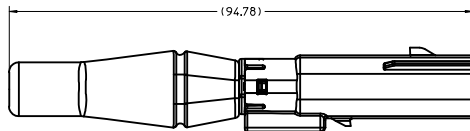
OVERALL MATED SYSTEM WITH BLADE RUBBER BOOT



CHARTED DIMENSIONS	
CONFIGURATION	B
MX150 1X3 BLADE SEALED ASSEMBLY - STANDARD	106.96
MX150 1X3 BLADE SEALED ASSEMBLY - RUBBER BOOT CONFIGURATION	110.96



OVERALL MATED SYSTEM WITH RECEPTACLE BACKSHELL



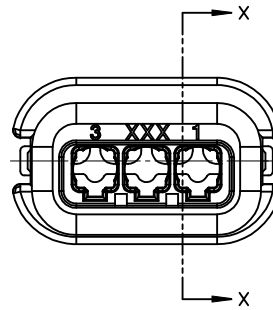
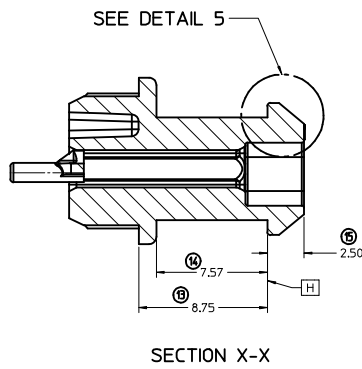
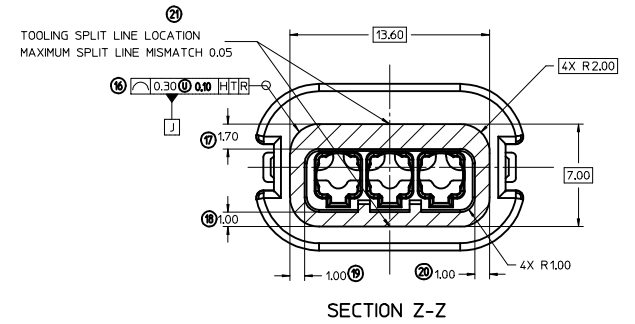
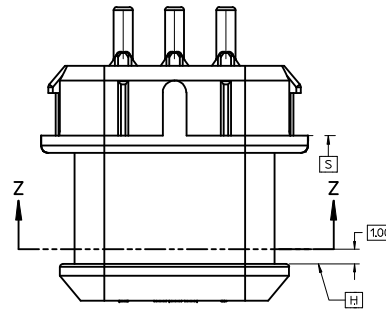
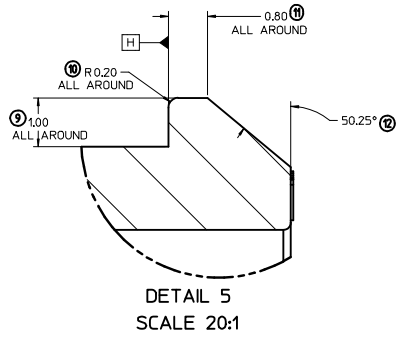
BLADE SEALED ASSEMBLY WITH BLADE RUBBER BOOT

SEE REV. COLUMN ELEC. NO. UAU2015-0191 DRAWN BY: DRWNLSONG05 2014/08/13 CHECKED BY: CHYKX81ANG 2014/08/13 APPR: WKOSHY 2014/09/05	QUALITY SYMBOLS ∇=0 ∇=0 ∇=0	GENERAL TOLERANCES (UNLESS SPECIFIED)		DIMENSION STYLE MM ONLY	SCALE 2:1	DESIGN UNITS METRIC	THIRD ANGLE PROJECTION	
		4 PLACES ± mm ± INCH 3 PLACES ± --- ± --- 2 PLACES ± 0.10 ± --- 1 PLACE ± 0.3 ± --- 0 PLACE ± ±	DRAWN BY: DMARCOUX 06-12-02 CHECKED BY: DGRIFFIT 06-12-02 APPROVED BY: FHOLUB 06-12-02	TITLE MX150 1X3 BLADE SEALED ASSEMBLY MAT SEAL		DOCUMENT NO. SD-33481-031		SHEET NO. 5 OF 7
		ANGULAR ± 3 ° DRAFT WHERE APPLICABLE MUST REMAIN WITHIN DIMENSIONS		MATERIAL NO. SEE BOM		INCORPORATED AND SHOULD NOT BE USED WITHOUT WRITTEN PERMISSION		
		THIS DRAWING CONTAINS INFORMATION THAT IS PROPRIETARY TO MOLEX						

ASSEMBLY PART NUMBER	COLOR	KEYING OPTION	CAVITY TYPE & STATUS (X = PLUGGED)			COMMENTS	OPTIONAL ATTACHMENT SOLD SEPARATELY SMP RUBBER BOOT
			1	2	3		
33481-0301	BLACK	A					NOT AVAILABLE
33481-0302	LT. GRAY	B					NOT AVAILABLE
33481-0303	BROWN	C				NOT RECOMMENDED, SEE P/N 33481-0322	NOT AVAILABLE
33481-0304	GREEN	D				NOT RECOMMENDED, SEE P/N 33481-0323	NOT AVAILABLE
33481-0305	CUSTOM	TBD					NOT AVAILABLE
33481-0306	BLACK	A			X		NOT AVAILABLE
33481-0307	LT. GRAY	B			X		NOT AVAILABLE
33481-0308	BROWN	C			X		NOT AVAILABLE
33481-0309	GREEN	D			X		NOT AVAILABLE
33481-0310	CUSTOM	TBD			X		NOT AVAILABLE
33481-0311	BLACK	A	X		X		NOT AVAILABLE
33481-0312	LT. GRAY	B	X		X		NOT AVAILABLE
33481-0313	BROWN	C	X		X		NOT AVAILABLE
33481-0314	GREEN	D	X		X		NOT AVAILABLE
33481-0315	CUSTOM	TBD	X		X		NOT AVAILABLE
33481-0316	BLACK	A	X	X	X		NOT AVAILABLE
33481-0317	LT. GRAY	B	X	X	X		NOT AVAILABLE
33481-0318	BROWN	C	X	X	X	NOT RECOMMENDED, SEE P/N 33481-0324	NOT AVAILABLE
33481-0319	GREEN	D	X	X	X	NOT RECOMMENDED, SEE P/N 33481-0325	NOT AVAILABLE
33481-0320	CUSTOM	TBD	X	X	X		NOT AVAILABLE
33481-0321	BLACK	A		X			NOT AVAILABLE
33481-0322	DK. GRAY	C					NOT AVAILABLE
33481-0323	ST. GRAY	D					NOT AVAILABLE
33481-0324	DK. GRAY	C	X	X	X		NOT AVAILABLE
33481-0325	ST. GRAY	D	X	X	X		NOT AVAILABLE
33481-0330	YELLOW	A					NOT AVAILABLE
33481-0340	BLACK	A				RUBBER BOOT CONFIGURATION	P/N TBD
33481-0341	BLACK	A	X	X	X	RUBBER BOOT CONFIGURATION	P/N TBD

SEE REV. COLUMN SEC NO: UAU2015-0191 DRAWN: SONGS 2014/08/13 CHKD: BTANG 2014/08/13 APPR: IKOSHY 2014/09/05	QUALITY SYMBOLS ∇=0 ∇=0 ∇=0	GENERAL TOLERANCES (UNLESS SPECIFIED) mm INCH 4 PLACES ±.004 ±.0004 3 PLACES ±.005 ±.0005 2 PLACES ±0.10 ±.002 1 PLACE ±0.3 ±.008 0 PLACE ± ±	DIMENSION STYLE MM ONLY	SCALE DESIGN UNITS METRIC	THIRD ANGLE PROJECTION	DRAWN BY: DMARCOUX CHECKED BY: DGRIFFIT APPROVED BY: FHOLUB DATE: 06-12-02 DATE: 06-12-02 DATE: 06-12-02	TITLE MX150 1X3 BLADE SEALED ASSEMBLY MAT SEAL	MATERIAL NO. SEE BOM	DOCUMENT NO. SD-33481-031	SHEET NO. 6 OF 7

RUBBER BOOT INTERFACE



SEE REV. COLUMN DEC NO. UAU2015-0191 DRAWN: SONGS 2014/08/13 CHKD: XBTANG 2014/08/13 APPR: WKOSHY 2014/09/05	QUALITY SYMBOLS	GENERAL TOLERANCES (UNLESS SPECIFIED)	DIMENSION STYLE	SCALE	DESIGN UNITS	THIRD ANGLE PROJECTION
	∇=0 ∇=0 ∇=0	mm INCH 4 PLACES ± --- ± --- 3 PLACES ± 0.10 ± 0.004 2 PLACES ± 0.3 ± 0.012 1 PLACE ± --- ± --- 0 PLACE ± --- ± ---	MM ONLY	2:1	METRIC	DRAWN BY DATE DMARCOUX 06-12-02 CHECKED BY DATE DGRIFFIT 06-12-02 APPROVED BY DATE FHOLUB 06-12-02
	ANGULAR ± 3 ° DRAFT WHERE APPLICABLE MUST REMAIN WITHIN DIMENSIONS	MATERIAL NO. SEE BOM	DOCUMENT NO. SD-33481-031	SHEET NO. 7 OF 7		

THIS DRAWING CONTAINS INFORMATION THAT IS PROPRIETARY TO MOLEX INCORPORATED AND SHOULD NOT BE USED WITHOUT WRITTEN PERMISSION