



PRODUCT DATASHEET

Florence series

last update 3/2/2017

DETAILS

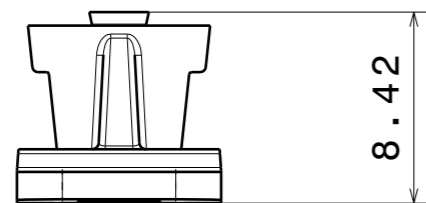
Product Number	C14751_FLORENCE-1R-CLIP-C
Family	Florence
Type	Accessory
Color	clear
Diameter	48,7x9 mm
Height	8,43 mm
Style	rectang
Optic Material	
Holder Material	
Fastening	screw
Status	production ready
ROHS Compliant	Yes
Date Updated	3/02/2017



OPTICAL PROPERTIES

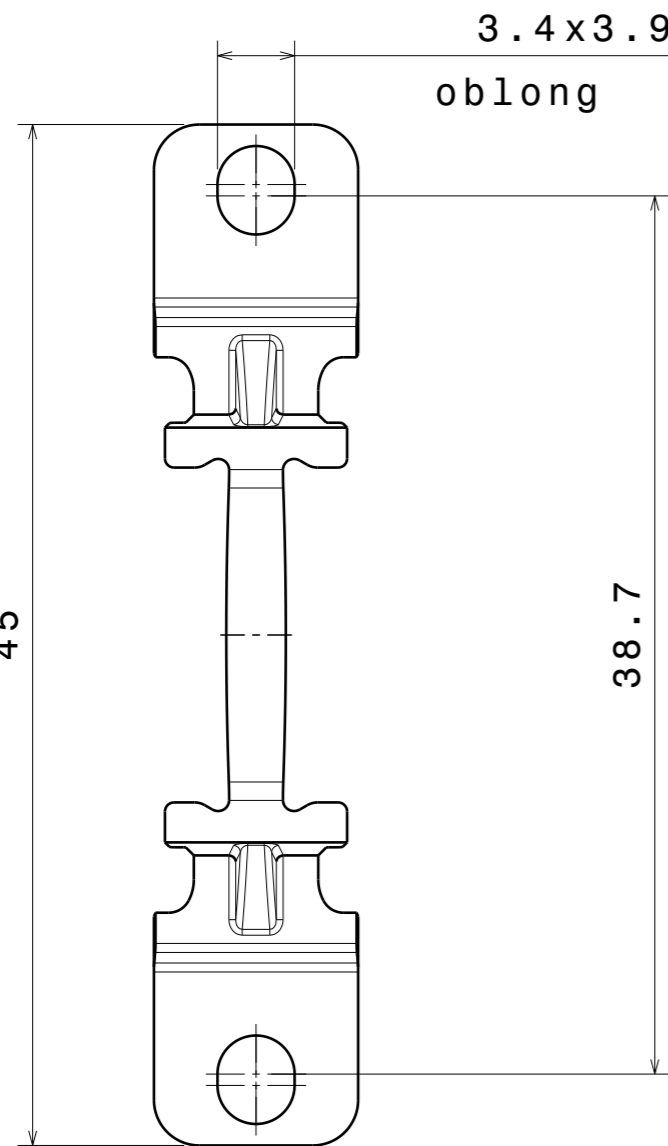
LED	Viewing Angle	Light Beam	Efficiency	cd/lm	Connector
-	N/A deg	-	-	-	-

H G F E D C B A



8.42

Side view

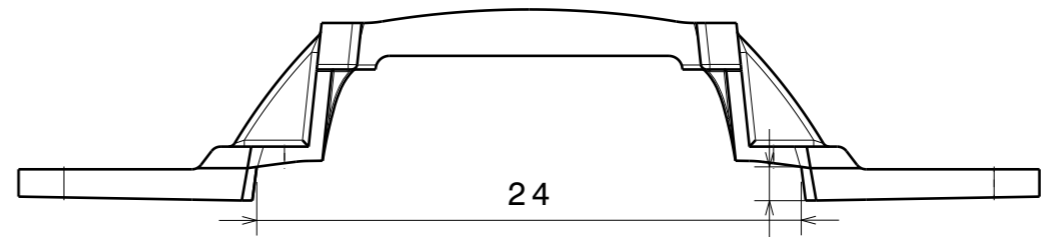


3.4x3.9
oblong

45

38.7

Top view



24
PCB width

1.5

Front view

INDEX	PART NO	DESCRIPTION	MATERIAL	COLOUR
1	C14751	FLORENCE-1R-CLIP-C	PC	clear

Tolerances if not otherwise shown
According to DIN ISO 2768-1
Linear measures:
up to 30mm class M, otherwise class C
According to DIN ISO 2768-2
Form and position: class L

LEDiL LediL Oy
Salorankatu 10
FIN 24240 SALO
Finland

THIRD ANGLE PROJECTION:

DRAWING TITLE
C14751_FLORENCE-1R-CLIP-C

This drawing is the property of LEDiL Oy. It may not be reproduced, copied or communicated without a written agreement with LEDiL Oy.

SIZE	PART NUMBER
A3	C14751

SCALE	1:1	WEIGHT	0,6 g	SHEET	1/1
-------	-----	--------	-------	-------	-----

H G B A

NOTE: The typical divergence will be changed by different color, chip size and chip position tolerance. The typical total divergence is the full angle measured where the luminous intensity is half of the peak value.