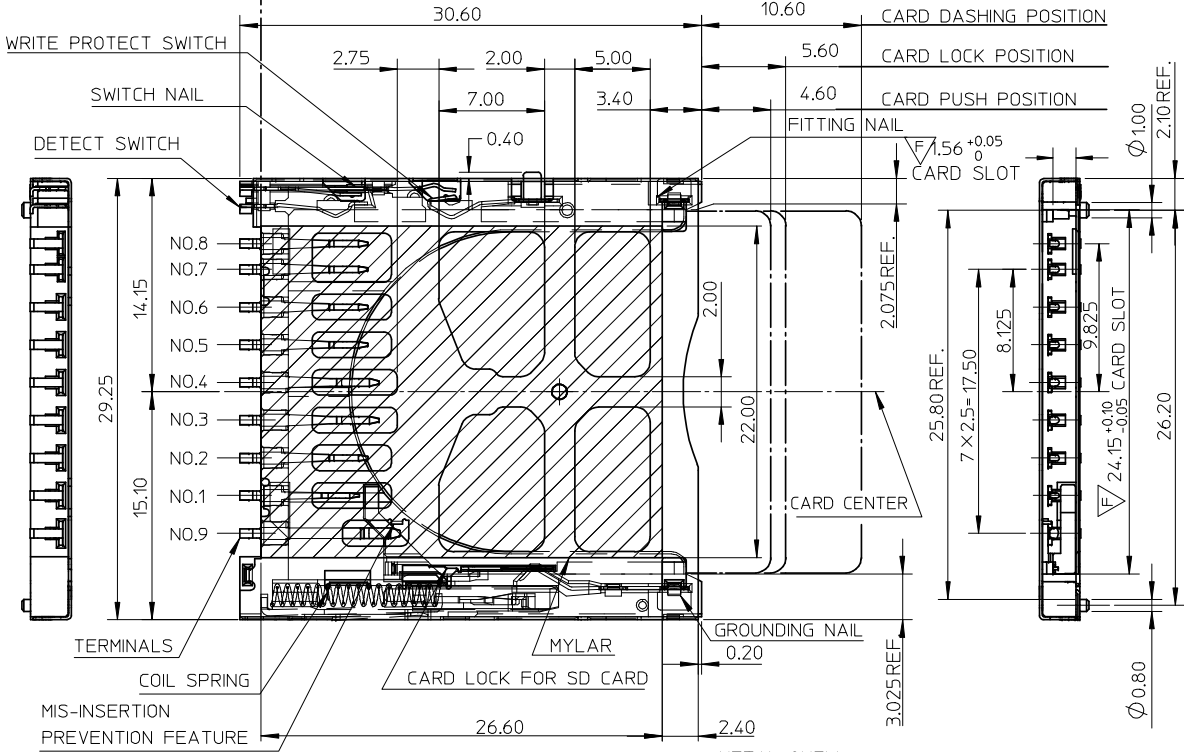
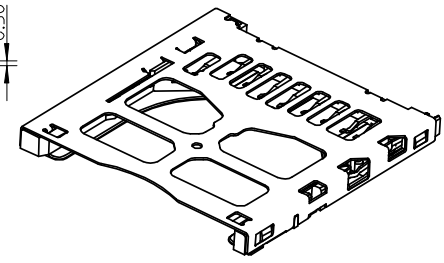
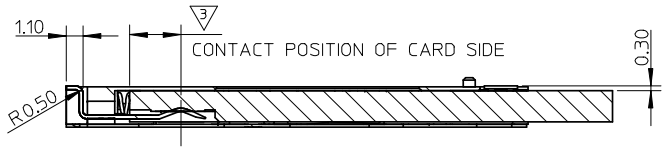
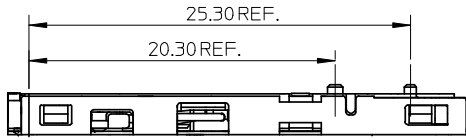


10 9 8 7 6 5 4 3 2 1



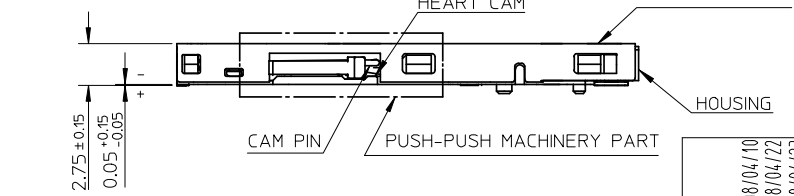
- NOTES:
- HOUSING: HIGH TEMPERATURE THERMOPLASTIC.
COLOR: BLACK
TERMINAL: COPPER ALLOY, SELECTIVE Au PLATING
METAL SHELL: STAINLESS STEEL
EACH SWITCHES: COPPER ALLOY, SELECTIVE Au PLATING.
EACH NAILS: COPPER ALLOY, SELECTIVE AU PLATING.
COIL SPRING: STEEL WIRE.
CAM PIN: STAINLESS STEEL
 - TERMINAL AND NAIL COPLANARITY TO BE 0.1MAX
 - CONTACT POSITION OF CARD SIDE

TERMINAL NO.	CONTACT POSITION
NO.1	2.4
NO.2,5,6,7,8	2.9
NO.3,4	3.4
NO.9	5.2

4.OPEN/CLOSE OF EACH SWITCH

	PROTECT TERMINAL		DETECT TERMINAL
	WRITE PROTECT POSITION	WRITE ENABLE POSITION	
CARD UNINSERTION	OPEN	OPEN	OPEN
CARD HALF INSERTION	CLOSE	CLOSE	OPEN
CARD INSERTION	OPEN	CLOSE	CLOSE

- WHEN DELIVERING, THE PUSH/PUSH MECHANISM IS IN THE STATE OF THE UNLOCK.(CARD DASHING OUT POSITION)
- CARD READ ONLY BY THE TIME THE CARD DETECTION.
- 7.I/O CONTACTS, BASED ON SD I/O ASSOC. REV.G.
- PRODUCT SPECIFICATION REFER TO PS-67913-002.



PART NO.	DESCRIPTION	REMARK
67913-0011	TIN-LEAD	FOR SD ONLY
67913-8011	LEAD-FREE	
67913-0008	TIN-LEAD	SD/MMC
67913-8008	LEAD-FREE	

REVISED
EC NO: SH2008-0499
DRWNL:SONG09 2008/04/10
CHKD:JTIAN 2008/04/22
APPR:HWANG 2008/04/23

QUALITY SYMBOLS
▽=0
▽C=0

GENERAL TOLERANCES (UNLESS SPECIFIED)

	mm	INCH
4 PLACES	±---	±---
3 PLACES	±---	±---
2 PLACES	±0.25	±---
1 PLACE	±0.25	±---
ANGULAR ± 3 °		

DRAFT WHERE APPLICABLE
MUST REMAIN WITHIN DIMENSIONS

DIMENSION STYLE
MM ONLY

DRAWN BY: MAX
DATE: 2003/02/13

CHECKED BY: WILSON
DATE: 2003/02/13

APPROVED BY: ERICK
DATE: 2003/02/13

MATERIAL NO. SEE TABLE

SCALE 3:1
DESIGN UNITS METRIC
THIRD ANGLE PROJECTION

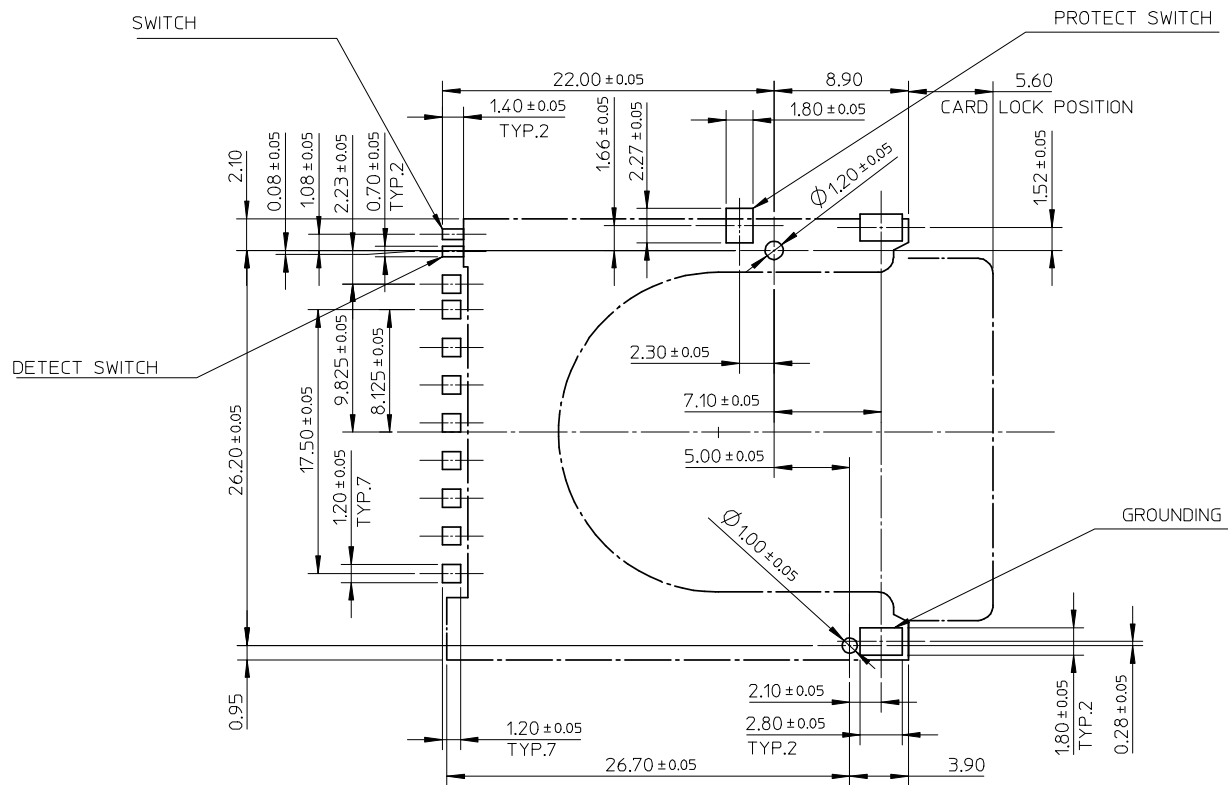
SD/IO CARD CONN.
REVERSE TYPE WITH
PUSH PUSH

MOLEX INCORPORATED

DOCUMENT NO. SD-67913-011
SHEET NO. 1 OF 3

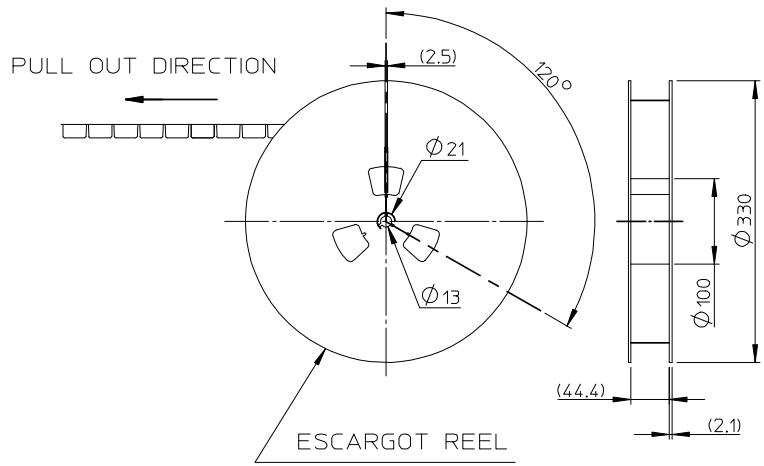
THIS DRAWING CONTAINS INFORMATION THAT IS PROPRIETARY TO MOLEX INCORPORATED AND SHOULD NOT BE USED WITHOUT WRITTEN PERMISSION

9 8 7 6 5 4 3 2 1



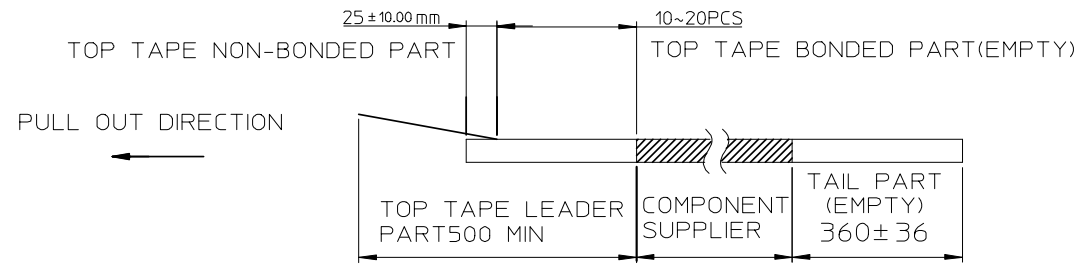
RECOMMENDED P.C.B LAYOUT DIMENSION

REVISED EC NO: SH2008-0499 DRWNL:SONG09 CHKD: J.TIAN APPR: HWANG 2008/04/10 2008/04/22 2008/04/23	DESCRIPTION T1	QUALITY SYMBOLS	GENERAL TOLERANCES (UNLESS SPECIFIED)	DIMENSION STYLE	SCALE	DESIGN UNITS	THIRD ANGLE PROJECTION		
		▽=0 ∇=0	mm INCH 4 PLACES ± --- ± --- 3 PLACES ± --- ± --- 2 PLACES ± 0.25 ± --- 1 PLACE ± 0.25 ± --- ANGULAR ± 3 °	MM ONLY	3:1	METRIC	DRAWN BY: MAX DATE: 2003/02/13 CHECKED BY: WILSON DATE: 2003/02/13 APPROVED BY: ERICK DATE: 2003/02/13		
		DRAFT WHERE APPLICABLE MUST REMAIN WITHIN DIMENSIONS			SEE SHEET 1	TITLE: SD/IO CARD CONN. REVERSE TYPE WITH PUSH PUSH MOLEX INCORPORATED		MATERIAL NO.	DOCUMENT NO.
					SIZE: A3	THIS DRAWING CONTAINS INFORMATION THAT IS PROPRIETARY TO MOLEX INCORPORATED AND SHOULD NOT BE USED WITHOUT WRITTEN PERMISSION		SHEET NO.	
								2 OF 3	

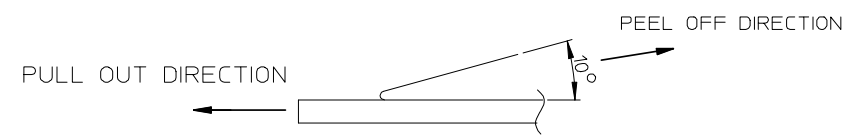


NOTES

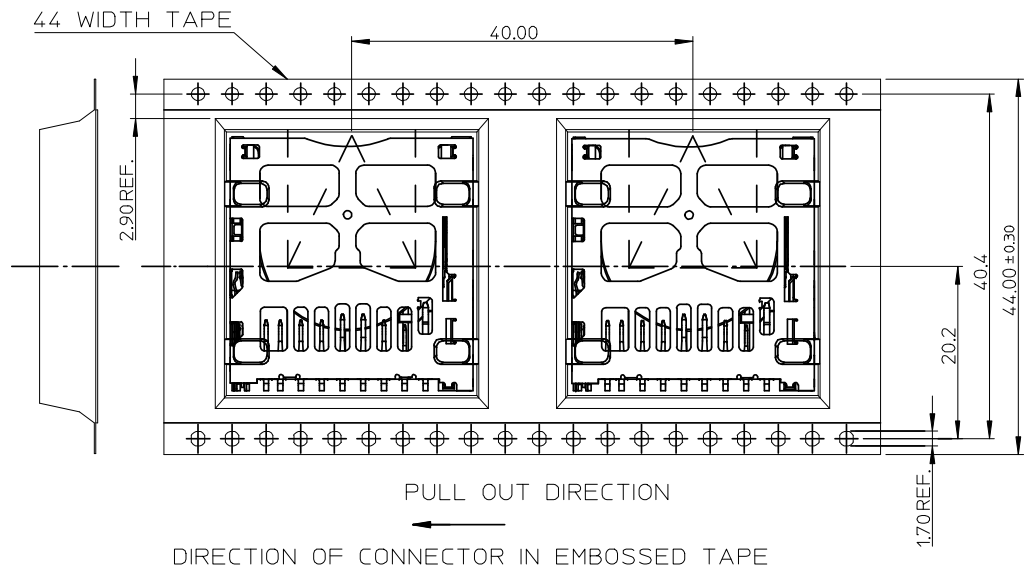
1. NUMBER OF CONNECTORS: 300 PCS/REEL
- 2.



3. PEEL OFF FORCE OF TOP TAPE: 0.1~1.3 N (10.2~130gf)
PEELING DIRECTION AS SHOWN IN FOLLOWING FIG.)
(PEEL OFF SPEED: 300mm/min.REF.)



4. PACKAGING DRAWING REFERS TO PK-67913-001.



REVISED EC NO: SH2008-0499 DR: WNLSONG09 CHKD: JTIAN APPR: HWANG	2008/04/10 2008/04/22 2008/04/23	DESCRIPTION REV	QUALITY SYMBOLS	GENERAL TOLERANCES (UNLESS SPECIFIED)	DIMENSION STYLE	SCALE	DESIGN UNITS	THIRD ANGLE PROJECTION
			▼=0 ◻=0	mm INCH 4 PLACES ± --- ± --- 3 PLACES ± --- ± --- 2 PLACES ± 0.25 ± --- 1 PLACE ± 0.25 ± --- ANGULAR ± 3°	MM ONLY DRAWN BY: MAX CHECKED BY: WILSON APPROVED BY: ERICK	1:1 DATE: 2003/02/13 DATE: 2003/02/13 DATE: 2003/02/13	METRIC TITLE: SD/IO CARD CONN. REVERSE TYPE WITH PUSH PUSH	
			DRAFT WHERE APPLICABLE MUST REMAIN WITHIN DIMENSIONS	SEE SHEET 1	MOLEX INCORPORATED DOCUMENT NO. SD-67913-011	SHEET NO. 3 OF 3		
			THIS DRAWING CONTAINS INFORMATION THAT IS PROPRIETARY TO MOLEX INCORPORATED AND SHOULD NOT BE USED WITHOUT WRITTEN PERMISSION					