

BC846 SERIES
BC847 SERIES
BC848 SERIES

SURFACE MOUNT
NPN SILICON TRANSISTOR



SOT-23 CASE



www.centrasemi.com

DESCRIPTION:

The CENTRAL SEMICONDUCTOR BC846, BC847 and BC848 Series types are NPN Silicon Transistors manufactured by the epitaxial planar process, epoxy molded in a surface mount package, designed for general purpose switching and amplifier applications.

MARKING CODE: SEE MARKING CODE TABLE ON FOLLOWING PAGE

Note: Reverse Lead Codes Available, Add "R" to the end of the Part # and Marking Code.

MAXIMUM RATINGS: ($T_A=25^\circ\text{C}$)

Collector-Base Voltage
Collector-Emitter Voltage
Emitter-Base Voltage
Continuous Collector Current
Peak Collector Current
Peak Base Current
Power Dissipation
Operating and Storage Junction Temperature
Thermal Resistance

SYMBOL	BC848	BC847	BC846	UNITS
V_{CBO}	30	50	80	V
V_{CEO}	30	45	65	V
V_{EBO}		5.0		V
I_C		100		mA
I_{CM}		200		mA
I_{BM}		200		mA
P_D		350		mW
T_J, T_{stg}		-65 to +150		$^\circ\text{C}$
θ_{JA}		357		$^\circ\text{C/W}$

ELECTRICAL CHARACTERISTICS: ($T_A=25^\circ\text{C}$ unless otherwise noted)

SYMBOL	TEST CONDITIONS	MIN	MAX	UNITS
I_{CBO}	$V_{CB}=30\text{V}$		15	nA
I_{CBO}	$V_{CB}=30\text{V}, T_A=150^\circ\text{C}$		5.0	μA
I_{EBO}	$V_{EB}=5.0\text{V}$		100	nA
BV_{CBO}	$I_C=10\mu\text{A}$ (BC848)	30		V
BV_{CBO}	$I_C=10\mu\text{A}$ (BC847)	50		V
BV_{CBO}	$I_C=10\mu\text{A}$ (BC846)	80		V
BV_{CEO}	$I_C=10\text{mA}$ (BC848)	30		V
BV_{CEO}	$I_C=10\text{mA}$ (BC847)	45		V
BV_{CEO}	$I_C=10\text{mA}$ (BC846)	65		V
BV_{EBO}	$I_E=10\mu\text{A}$	5.0		V
$V_{CE(SAT)}$	$I_C=10\text{mA}, I_B=0.5\text{mA}$		0.25	V
$V_{CE(SAT)}$	$I_C=100\text{mA}, I_B=5.0\text{mA}$		0.60	V
$V_{BE(ON)}$	$I_C=2.0\text{mA}, V_{CE}=5.0\text{V}$	0.58	0.70	V
$V_{BE(ON)}$	$I_C=10\text{mA}, V_{CE}=5.0\text{V}$		0.77	V
f_T	$V_{CE}=5.0\text{V}, I_C=10\text{mA}, f=100\text{MHz}$	100		MHz
NF	$V_{CE}=5.0\text{V}, I_C=200\mu\text{A}, R_S=2.0\text{K}\Omega, f=1.0\text{KHz}, BW=200\text{Hz}$		10	dB

	TEST CONDITIONS	BC846A		BC846B		BC847C	
		MIN	MAX	MIN	MAX	MIN	MAX
h_{FE}	$V_{CE}=5.0\text{V}, I_C=2.0\text{mA}$	110	220	200	450	420	800

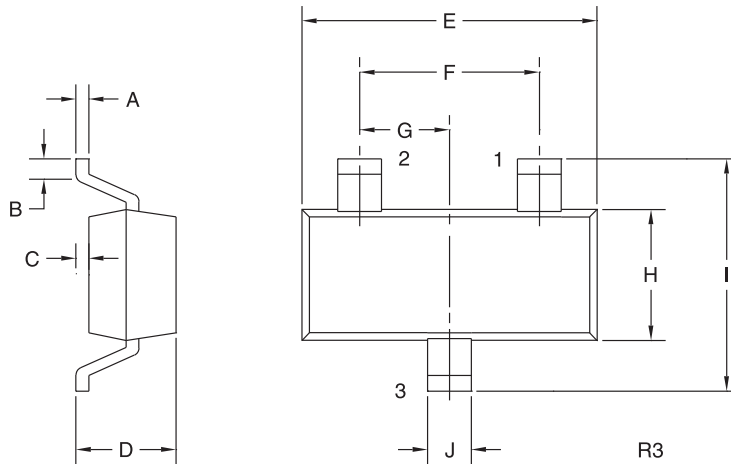
R1 (20-November 2009)

BC846 SERIES
BC847 SERIES
BC848 SERIES



**SURFACE MOUNT
NPN SILICON TRANSISTOR**

SOT-23 CASE - MECHANICAL OUTLINE



LEAD CODE:

- | | |
|-----------------|-----------------|
| STANDARD | *REVERSE |
| 1) BASE | 1) EMITTER |
| 2) EMITTER | 2) BASE |
| 3) COLLECTOR | 3) COLLECTOR |

DEVICE	MARKING CODE
BC846A	1A
BC846B	1B
BC847A	1E
BC847B	1F
BC847C	1G
BC848A	1J
BC848B	1K
BC848C	1L

SYMBOL	DIMENSIONS			
	INCHES		MILLIMETERS	
	MIN	MAX	MIN	MAX
A	0.003	0.007	0.08	0.18
B	0.006	-	0.15	-
C	-	0.005	-	0.13
D	0.035	0.043	0.89	1.09
E	0.110	0.120	2.80	3.05
F	0.075		1.90	
G	0.037		0.95	
H	0.047	0.055	1.19	1.40
I	0.083	0.098	2.10	2.49
J	0.014	0.020	0.35	0.50

SOT-23 (REV: R3)

* Reverse Lead Codes Available, Add "R" to the end of the Part # and Marking Code.

R1 (20-November 2009)

OUTSTANDING SUPPORT AND SUPERIOR SERVICES



PRODUCT SUPPORT

Central's operations team provides the highest level of support to insure product is delivered on-time.

- Supply management (Customer portals)
- Inventory bonding
- Consolidated shipping options
- Custom bar coding for shipments
- Custom product packing

DESIGNER SUPPORT/SERVICES

Central's applications engineering team is ready to discuss your design challenges. Just ask.

- Free quick ship samples (2nd day air)
- Online technical data and parametric search
- SPICE models
- Custom electrical curves
- Environmental regulation compliance
- Customer specific screening
- Up-screening capabilities
- Special wafer diffusions
- PbSn plating options
- Package details
- Application notes
- Application and design sample kits
- Custom product and package development

CONTACT US

Corporate Headquarters & Customer Support Team

Central Semiconductor Corp.
145 Adams Avenue
Hauppauge, NY 11788 USA
Main Tel: (631) 435-1110
Main Fax: (631) 435-1824
Support Team Fax: (631) 435-3388
www.centalsemi.com

Worldwide Field Representatives:
www.centalsemi.com/wwreps

Worldwide Distributors:
www.centalsemi.com/wwdistributors

For the latest version of Central Semiconductor's **LIMITATIONS AND DAMAGES DISCLAIMER**, which is part of Central's Standard Terms and Conditions of sale, visit: www.centalsemi.com/terms