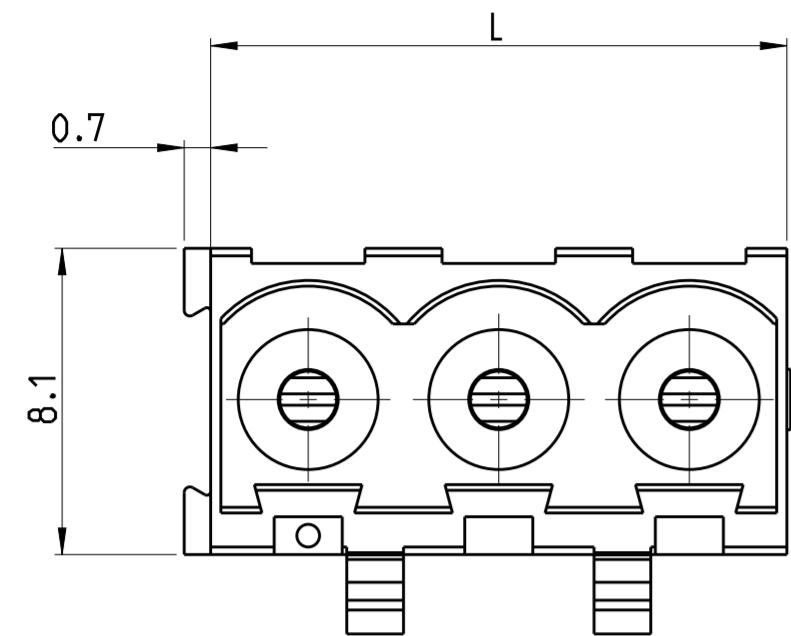
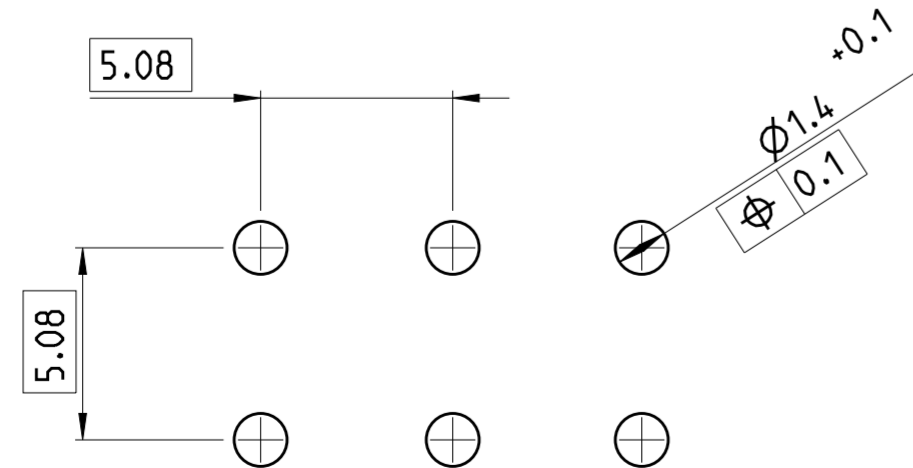
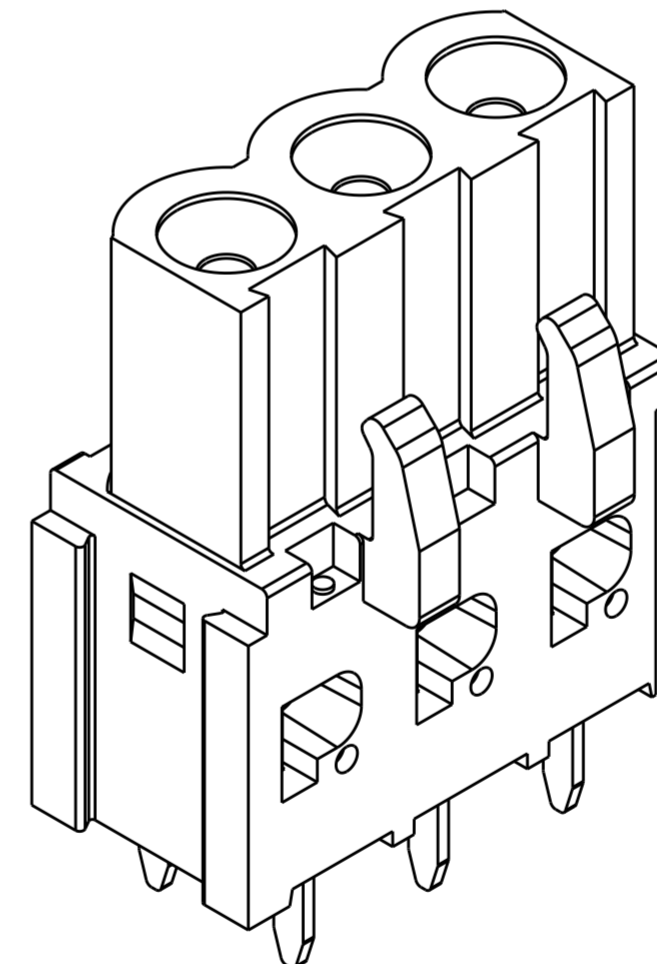
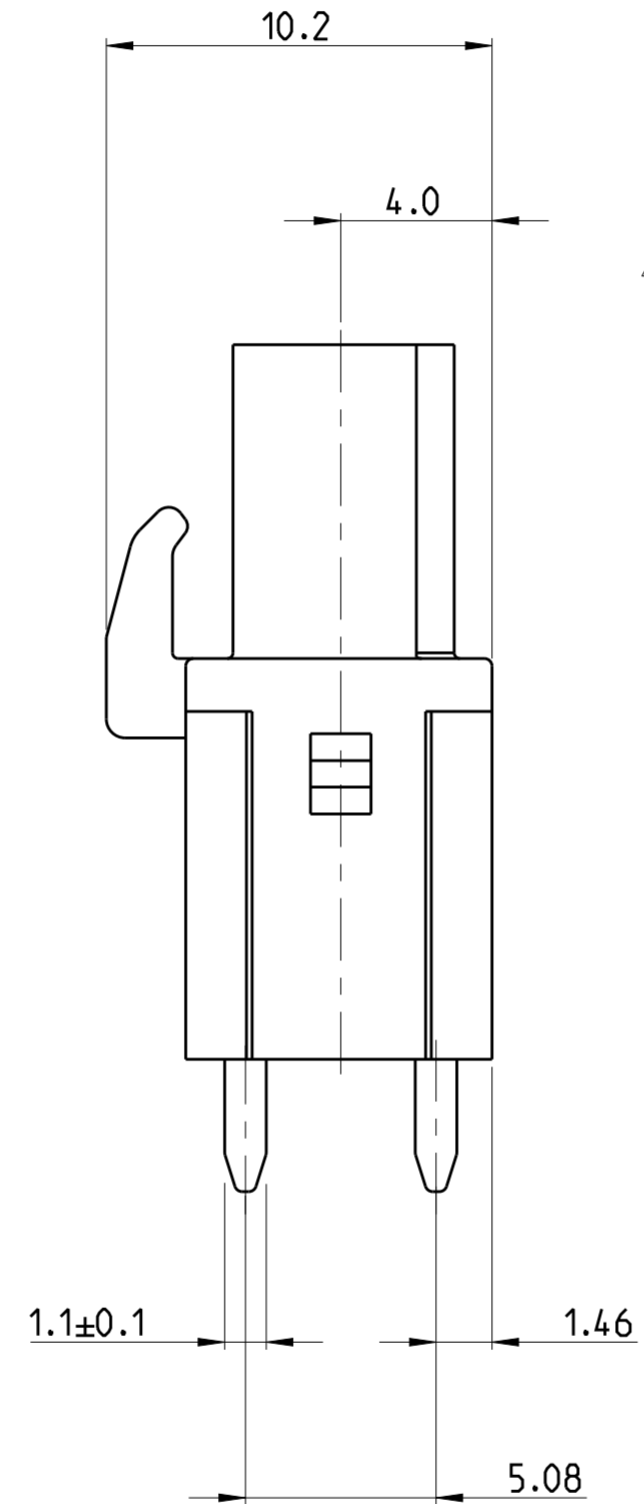
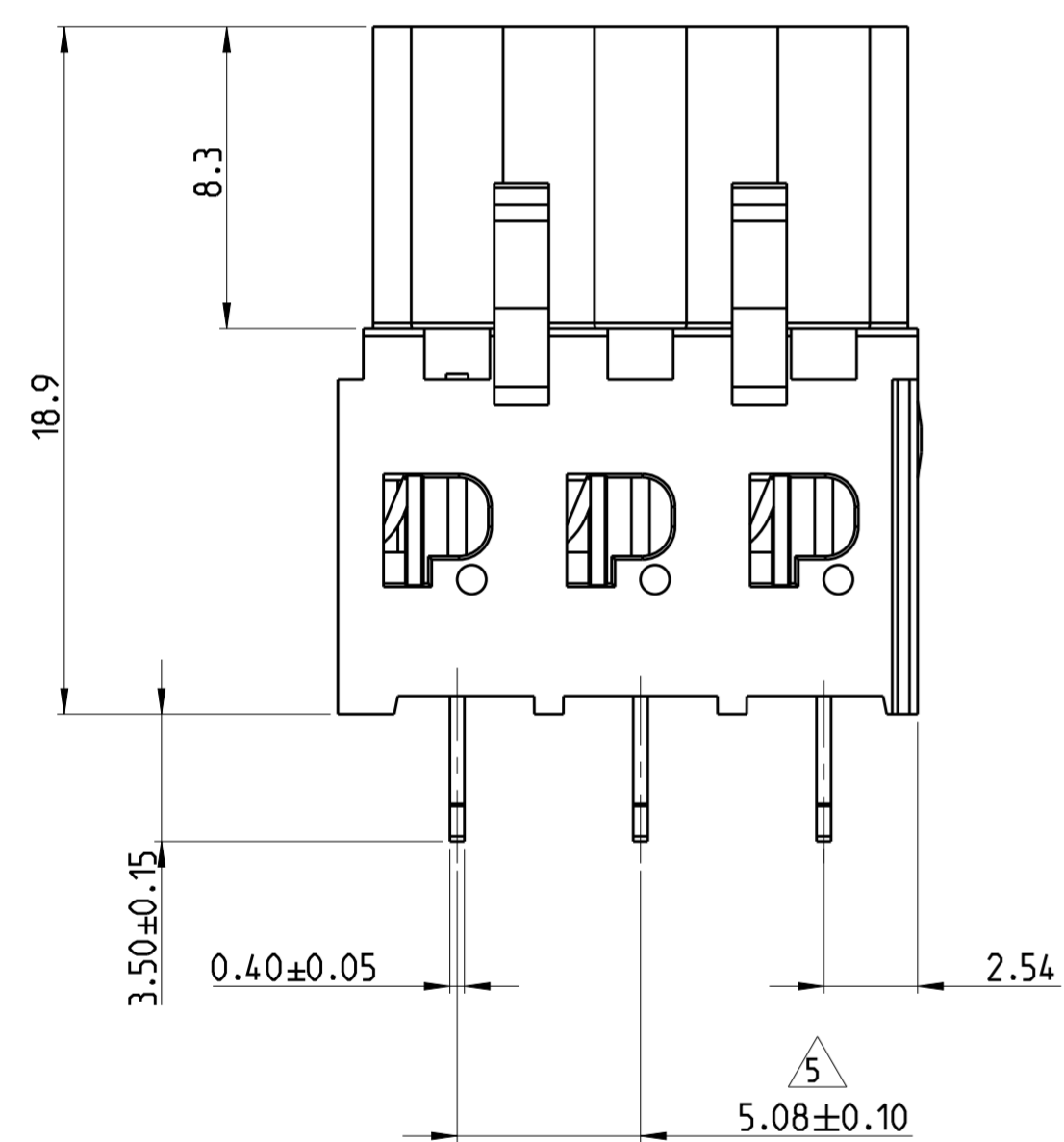


THIS DRAWING IS UNPUBLISHED. RELEASED FOR PUBLICATION 20
 © COPYRIGHT 20 BY - ALL RIGHTS RESERVED.

REVISIONS				
P	LTR	DESCRIPTION	DATE	APVD
1		PRELIMINARY	10OCT2007	SW CR
2		REVISED PER ECO-08-000130	04JAN2008	SS CR
A		DEVELOPMENT TO PRODUCTION	01DEC2015	FP GN



- MATERIALS & FINISH**
 HOUSING : PA 6.6.U194 VO.COLOR -GREEN
 SCREW M3 : BRASS, NICKEL PLATED
 CLAMP : BRASS, NICKEL PLATED
 CONTACT : BRONZE, TIN PLATED
- MECHANICAL**
 MAX. INSERTION FORCE PER HOLE: 3N
 MIN. WITHDRAWAL FORCE PER HOLE: 1.5N
 PC BOARD THICKNESS : 1.6 - 2.4 mm
- ELECTRICAL**
 WIRE RANGE : 30 - 12 AWG
 MAX. VOLTAGE : 300 V
 MAX CURRENT : 16 A
 CONTACT RESISTANCE : <15 m Ohm
 INSULATION RESISTANCE : >1000 M Ohm (500V DC)
- OPERATING TEMPERATURE RANGE: -40 °C TO +110 °C**
- TOLERANCE NOT CUMULATIVE.**
- END-TO-END STACKABLE WITH INTERLOCK WITHOUT LOSS OF CENTERLINE SPACING.**
- MAXIMUM OF 12 POSITIONS ALLOWED FOR END-TO-END STACKING**



RECOMMENDED PC BOARD LAYOUT

40.64	8	1986258-8
15.24	3	1986258-3
10.16	2	1986258-2
L	NO OF POSN	PART NUMBER

DIMENSIONS:		TOLERANCES UNLESS OTHERWISE SPECIFIED:		DWN S.WELDON 100CT2007		CHK C.RICHARD 100CT2007		APVD C.RICHARD 100CT2007		NAME	
mm		0 PLC	±	PRODUCT SPEC						PLUG ASSEMBLY, TERMINAL BLOCK, VERTICAL, BOARD MOUNT, 5.08mm PITCH	
		1 PLC	±0.3	APPLICATION SPEC						SIZE	RESTRICTED TO
		2 PLC	±0.25							A2	-
		3 PLC	±							00779	
		4 PLC	±							C-1986258	
		ANGLES	±°								
		FINISH									
MATERIAL				WEIGHT							
SEE NOTES				SEE NOTES							
THIS DRAWING IS A CONTROLLED DOCUMENT.								CUSTOMER DRAWING		SCALE	5:1
								SHEET		1	OF 1
								REV		A	