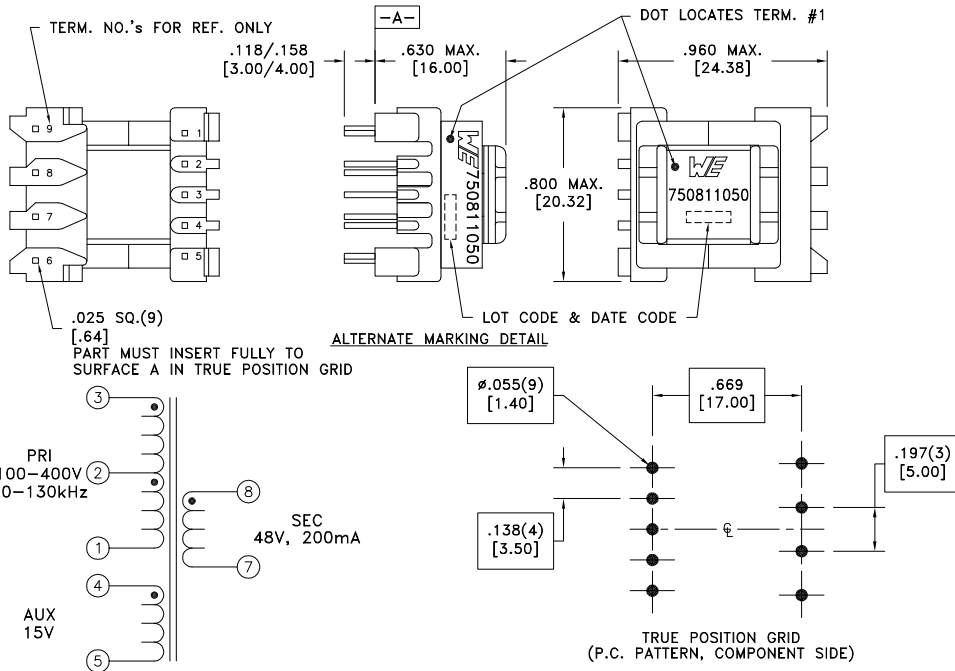


CUSTOMER TERMINAL	RoHS	LEAD(Pb)-FREE
Sn96%, Ag4%	Yes	Yes



ELECTRICAL SPECIFICATIONS @ 25°C unless otherwise noted:

PARAMETER	TEST CONDITIONS	VALUE
D.C. RESISTANCE	1-3 @20°C	2.95 ohms ±10%
D.C. RESISTANCE	4-5 @20°C	0.26 ohms ±10%
D.C. RESISTANCE	7-8 @20°C	0.396 ohms max.
INDUCTANCE	1-3 10kHz, 100mVAC, Ls	1.50mH ±10%
SATURATION CURRENT	20% rolloff from initial	660mA
LEAKAGE INDUCTANCE	1-3 tie(4+5, 7+8), 100kHz, 100mVAC, Ls	20uH typ., 40uH max.
DIELECTRIC	3-8 tie(1+4), 4500VAC, 1 second	4500VAC, 1 minute
DIELECTRIC	3-4 1250VAC, 1 second	1000VAC, 1 minute
TURNS RATIO	(3-1):(8-7)	4:1, ±1%
TURNS RATIO	(8-7):(4-5)	3.40:1, ±2%
TURNS RATIO	(3-2):(2-1)	1:1, ±1%

GENERAL SPECIFICATIONS:

OPERATING TEMPERATURE RANGE: -40°C to +125°C including temp rise.

Designed to comply with the following requirements as defined by IEC61558-2-16:  
 - Reinforced insulation for a primary circuit at a working voltage of 400VDC.

Wire insulation & RoHS status not affected by wire color.  
 Wire insulation color may vary depending on availability.

REV.	DATE	Packaging Specifications Method: Tray PKG-0735 www.we-online.com/midcom		Tolerances unless otherwise specified: Angles: ±1° Fractions: ±1/64 Decimals: ±.005 [.13] Footprint: ±.001 [.03]	DRAWING TITLE <b>TRANSFORMER</b>	PART NO. <b>750811050</b>
6A	4/13	SEE REVISION SHEET FOR REVISION LEVEL	REVISION LEVEL	This drawing is dual dimensioned. Dimensions in brackets are in millimeters.	eiSos p/n: 750811050	SPECIFICATION SHEET 1 OF 1