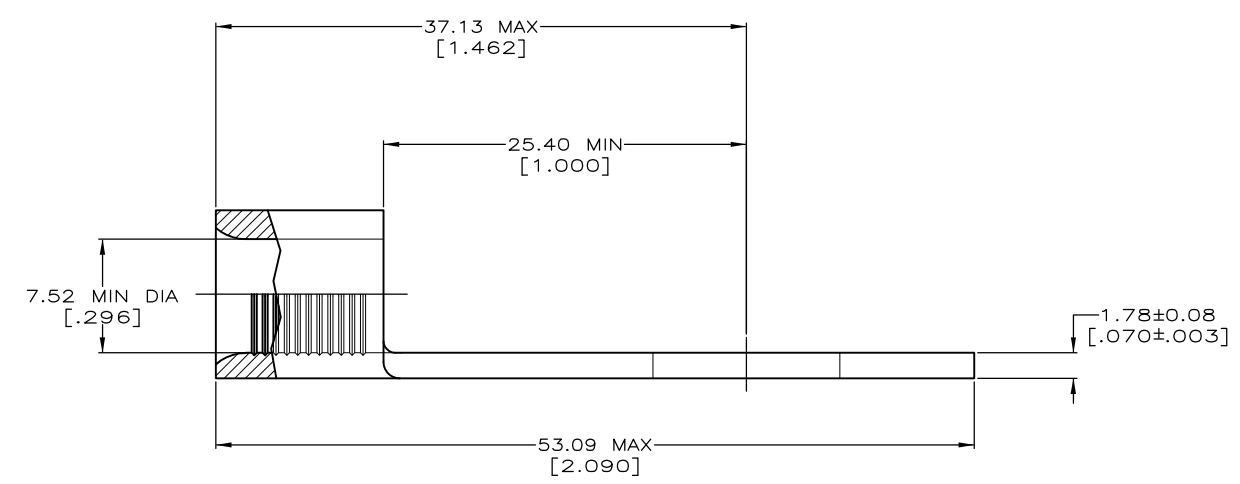
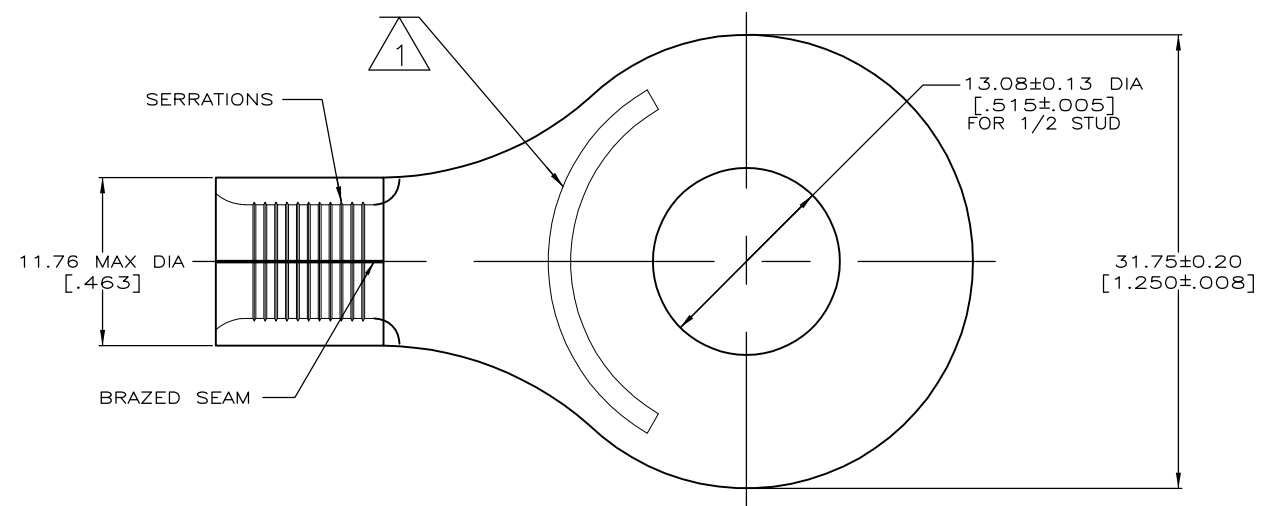


THIS DRAWING IS UNPUBLISHED. RELEASED FOR PUBLICATION
 © COPYRIGHT BY TYCO ELECTRONICS CORPORATION. ALL INTERNATIONAL RIGHTS RESERVED.

| LOC | DIST | REVISIONS | | | | | |
|-----|------|-----------|-----|---------------------------|---------|-----|------|
| G | 14 | P | LTR | DESCRIPTION | DATE | DWN | APVD |
| | | G | | REVISED PER ECR-09-020122 | 24SEP09 | HMR | TM |



| | |
|----------------------------|-------------------|
| AMP WIRE RANGE | E13288 Listed |
| 4 AWG SOLID OR STRANDED | 4 AWG STRANDED |
| LR7189 Certified | |
| 4 AWG SOLID OR STRANDED | |

STAMP AMP 4* APPROX AS SHOWN.

| | | | |
|----------|----------|------------------|-----------|
| OBSOLETE | 20 | LOOSE PIECE, BOX | 8-35668-5 |
| | - | LOOSE PIECE | 35668 |
| | QUANTITY | PACKAGING TYPE | PART NO |

| | | | | | | | | | | |
|--|--|---|---|---|--------------------------------|---|------------|--------------------|-----------------------|--------------------|
| AMP INCORPORATED CUSTOMER SERVICE SYSTEMS | | MAX RECOMMENDED OPERATING TEMPERATURE: 170°C MAX | THIS DRAWING IS A CONTROLLED DOCUMENT. | | DWN TA BRINKMAN 3-29-93 | Tyco Electronics Corporation Harrisburg, PA 17105-3608 | | | | |
| FOR ADDITIONAL PRODUCT INFORMATION OR COPIES OF DRAWINGS AND TECHNICAL DOCUMENTS | PRODUCT INFORMATION CENTER 1-800-522-6752 | VOLTAGE RATING: N/A | DIMENSIONS: mm [INCHES] | TOLERANCES UNLESS OTHERWISE SPECIFIED: | CHK DA PATTERSON 3-29-93 | NAME DE MILLER | | | | |
| FOR APPLICATION TOOLING INFORMATION | TOOLING ASSISTANCE CENTER 1-800-722-1111 | WIRE CROSS SECTIONAL AREA RANGE 16.8-26.7mm²[33,100-52,600] CIR MILLS SOLID OR STRANDED | | 0 PLC ± - 1 PLC ± - 2 PLC ± - 3 PLC ± - 4 PLC ± - ANGLES ± - | APVD DE MILLER 3-29-93 | PRODUCT SPEC - | | | | |
| FOR ORDER ENTRY | 1-800-526-5142 | THIS DRAWING IS A CONTROLLED DOCUMENT FOR AMP INCORPORATED. IT IS SUBJECT TO CHANGE AND THE CONTROLLING ENGINEERING ORGANIZATION SHOULD BE CONTACTED FOR THE LATEST REVISION. | MATERIAL COPPER PER ASTM B152 ANNEALED | FINISH TIN PLATE 0.00254 [.000100] MIN THK PER ASTM B545 | APPLICATION SPEC - | WEIGHT - | SIZE A3 | CAGE CODE 00779 | DRAWING NO G-35668 | RESTRICTED TO - |
| | | | CUSTOMER DRAWING | | SCALE 4:1 | SHEET 1 OF 1 | REV G | | | |