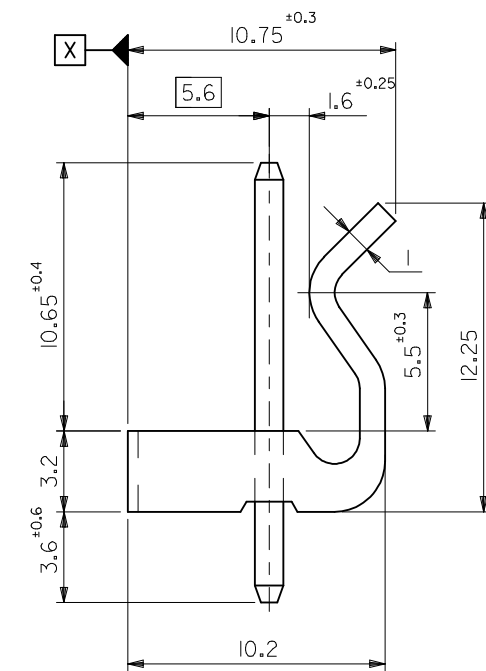
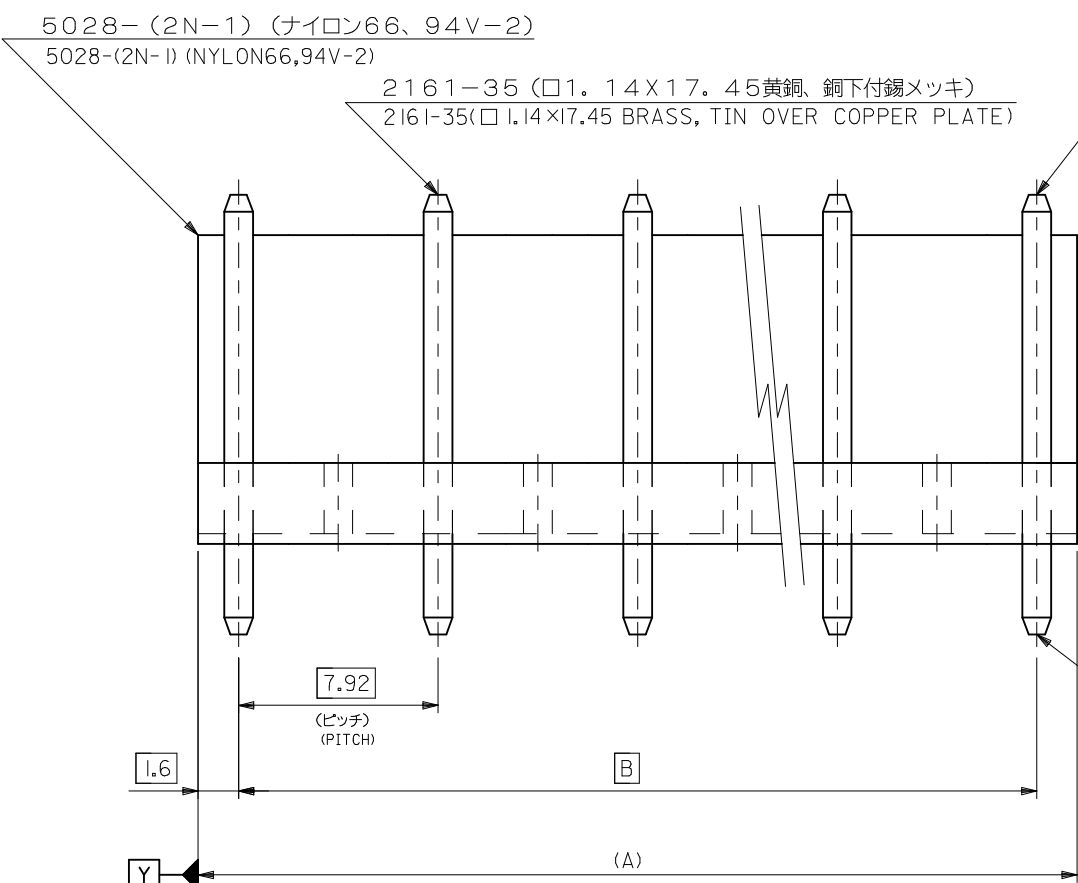


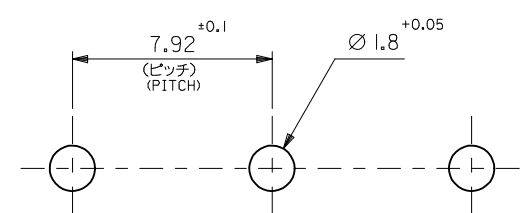
10 9 8 7 6 5 4 3 2 1



注記  
NOTE

ウェハーのそりは、長さ25.4に対して0.24最大。  
CAMBER OF WAFER MUST BE 0.24mm MAX. PER 25.4mm.

39.6	42.8	10-63-4067	5096-06C	6
31.68	34.88	10-63-4057	5096-05C	5
23.76	26.96	10-63-4047	5096-04C	4
15.84	19.04	10-63-4037	5096-03C	3
7.92	11.12	10-63-4027	5096-02C	2
B	(A)	EDP.NO.	MATERIAL NO.	種数 NO. OF CKTS.
			MODEL NO.	5096-NC



基板取付穴推奨寸法  
RECOMMENDED PC BOARD HOLE DIMENSION

REVISED EC NO: J2014-1224 DRWN: YAJI MA01 2014/02/04 CHKD: KASAKAWA 2014/02/10 APPR: NUKITA 2014/02/10	GENERAL TOLERANCES (UNLESS SPECIFIED)	DIMENSION STYLE MM ONLY	SCALE 5:1	DESIGN UNITS METRIC	THIRD ANGLE PROJECTION
	10 UNDER ±0.2	DRAWN BY M. HARA	DATE '96/6/20	TITLE KK7.92 WAFER ASSY WITH LOCK	
	10 OVER 30 UNDER ±0.25	CHECKED BY M. FUKUSHIMA	DATE '96/6/20		
	30 OVER ±0.3	APPROVED BY M. ENOMOTO	DATE '96/6/20		
ANGULAR ±3 °	MATERIAL NO.		DOCUMENT NO.	SHEET NO.	
DRAFT WHERE APPLICABLE MUST REMAIN WITHIN DIMENSIONS	SEE TABLE		SD-5096-001		1 OF 1
SIZE A3 THIS DRAWING CONTAINS INFORMATION THAT IS PROPRIETARY TO MOLEX INCORPORATED AND SHOULD NOT BE USED WITHOUT WRITTEN PERMISSION					

9 8 7 6 5 4 3 2