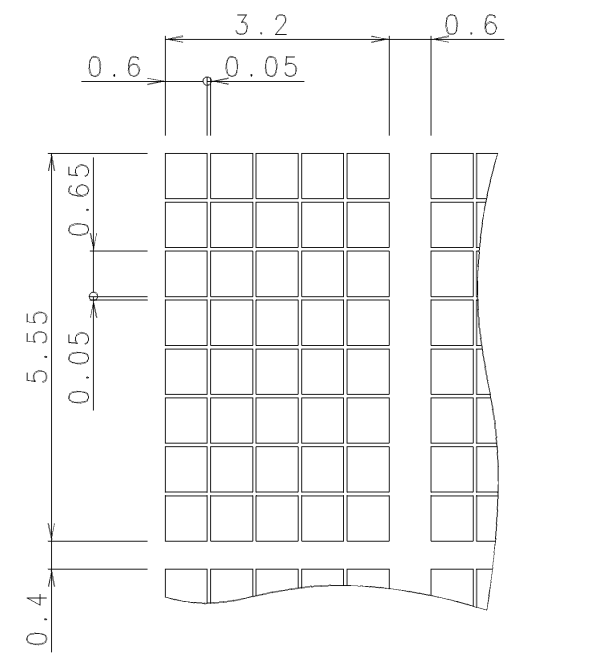
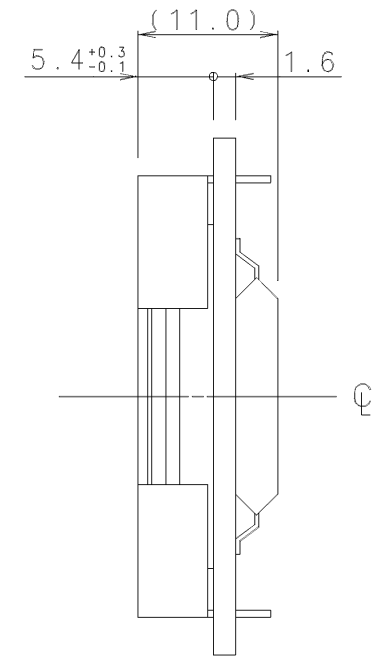
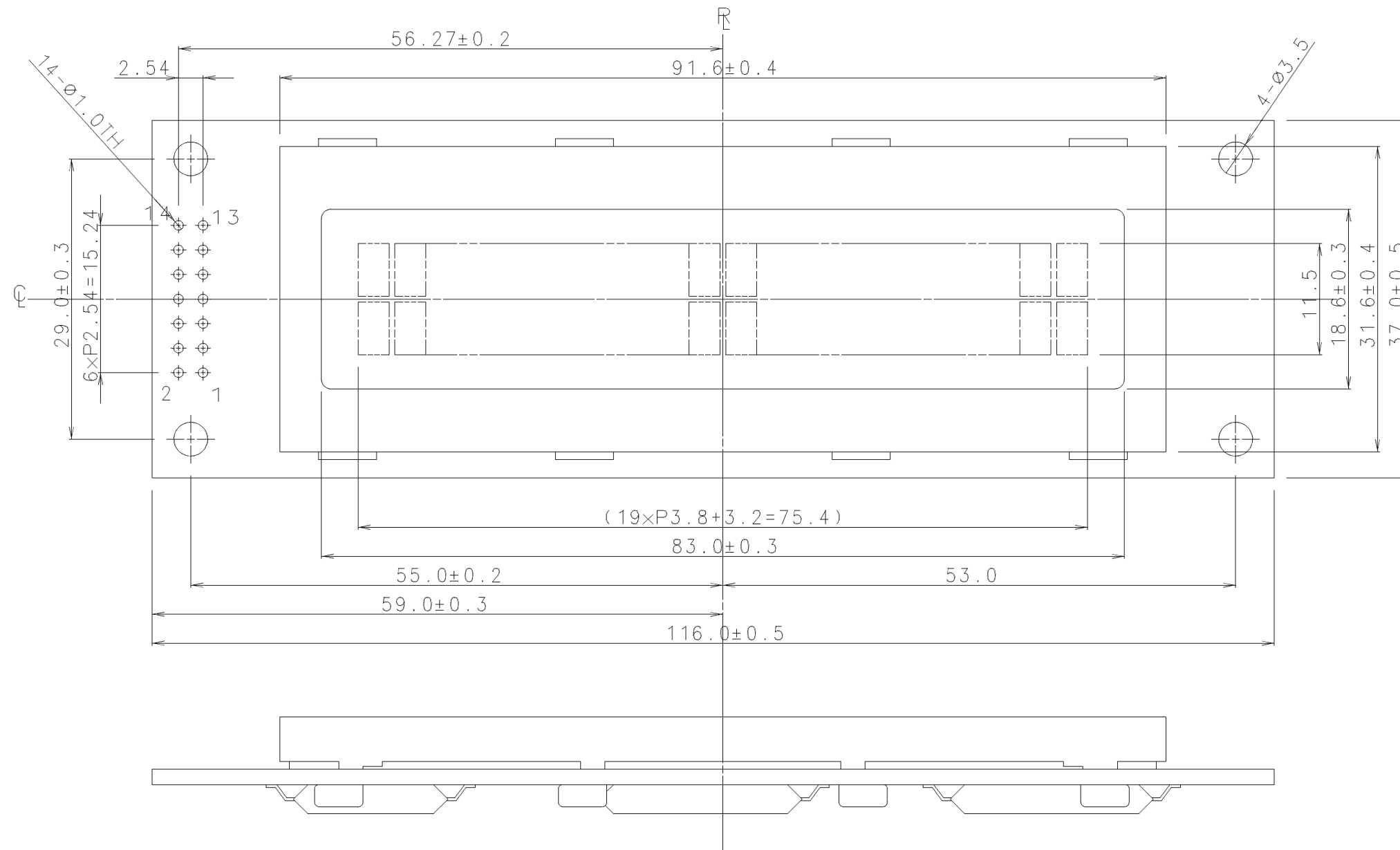




ISSUE	REVISIONS	DRAWN	APPROVED	DATE
1	ホルダ 一角穴変更	S.Matsuoka	M.lida	MAR.03'86



PIN ASSIGNMENT

PIN No.	SYMBOL	PIN No.	SYMBOL
1	V <sub>SS</sub>	8	DB1
2	V <sub>CC</sub>	9	DB2
3	V <sub>EE</sub>	10	DB3
4	R/W	11	DB4
5	R/W	12	DB5
6	E	13	DB6
7	DB0	14	DB7

TOLERANCE			THIRD ANGLE PROJECTION	DATE SEP.02'85	OPTREX CORPORATION
MEASURE	A	B			
L≤16	±0.1	±0.3	±1	UNIT mm	APPROVED M.lida
16<L≤63	±0.2	±0.5	±1.5	SCALE 2:1	CHECKED T.Ohyama
63<L≤250	±0.3	±0.8	±2		DRAWN S.Imai
250<L≤500	±0.5	±1.2	±3		TITLE DIMENSIONAL OUTLINE
500<L	±0.8	±2	±4		CODE DMC 20261Series
ANGLE	±1°	±5°	±10°		DWG NO UE-30779A