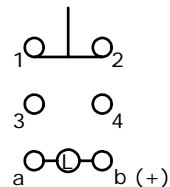
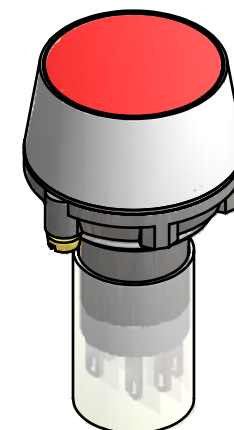
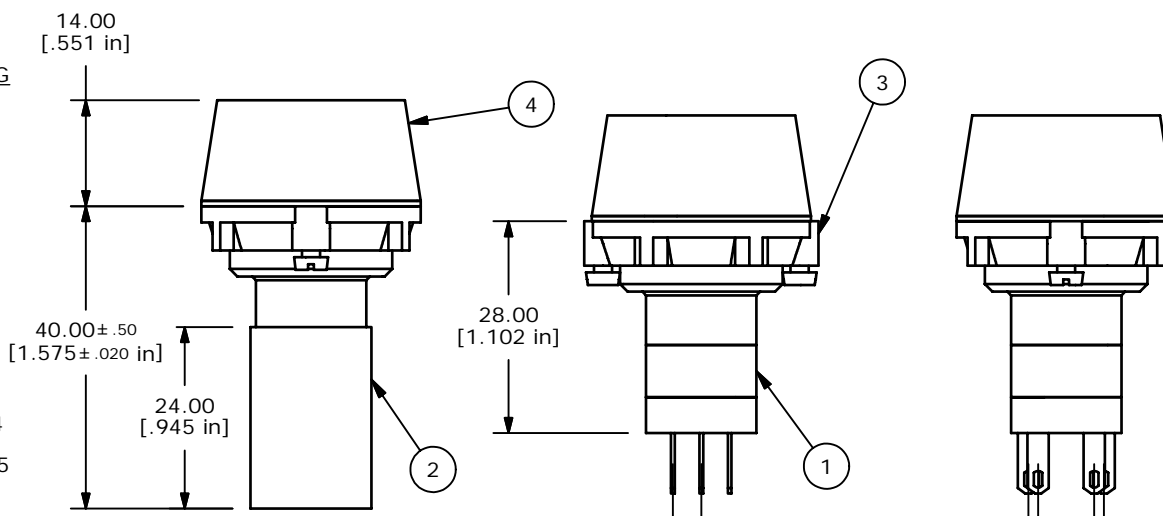


ITEM	QTY	PART NUMBER	DESCRIPTION
1	1	F060622	LAKOAU11
2	1	F051601	P16 PLASTIC TERM. PROTECTOR
3	1	F060250	29MM LA U1 NUT
4	1	F051701	29MM RING FOR LA SERIES
5	1	F060295	29MM RED LENS
6	1	F050420	12VDC RED LED

RECOMMEND PANEL MOUNTING



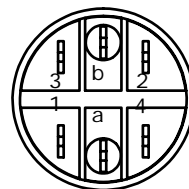
CONTACT CONFIGURATION



ISOMETRIC

NOTES:

- ALL DIMENSIONS IN MM [INCH].
- GENERAL TOLERANCE: 0.0±0.4
0.00±0.25
- TERM. NOS. FOR REF. ONLY.
- RATING: 5A @250VAC
8A @125VAC
.2A @250VDC
6A @24VDC
- ELECTRIC LIFE: 25,000 MAKE-OR-BREAK CYCLES AT FULL LOAD.
- INSULATION: 1,000 MΩ MIN.
- DIELECTRIC STRENGTH: 2000V FOR 1 MIN
- OPERATING TEMP: -25°C TO 55°C
- LENS COLOR: RED
- LAMP VOLTAGE: 12VDC LED



E-SWITCH®

TITLE LAKOAU11JREDRED

A	16445	RELEASED FOR PRODUCTION	10/03/2006	TN
REV	PCR NO	DESCRIPTION	DATE	BY

SCALE	DATE	DR	DWG	REV
1:1	10/3/2006	TN	XF0689P	A

THE INFORMATION CONTAINED IN THIS DOCUMENT IS PROPRIETARY TO E-SWITCH AND IS NOT TO BE COPIED OR TRANSFERRED