

DETAILS

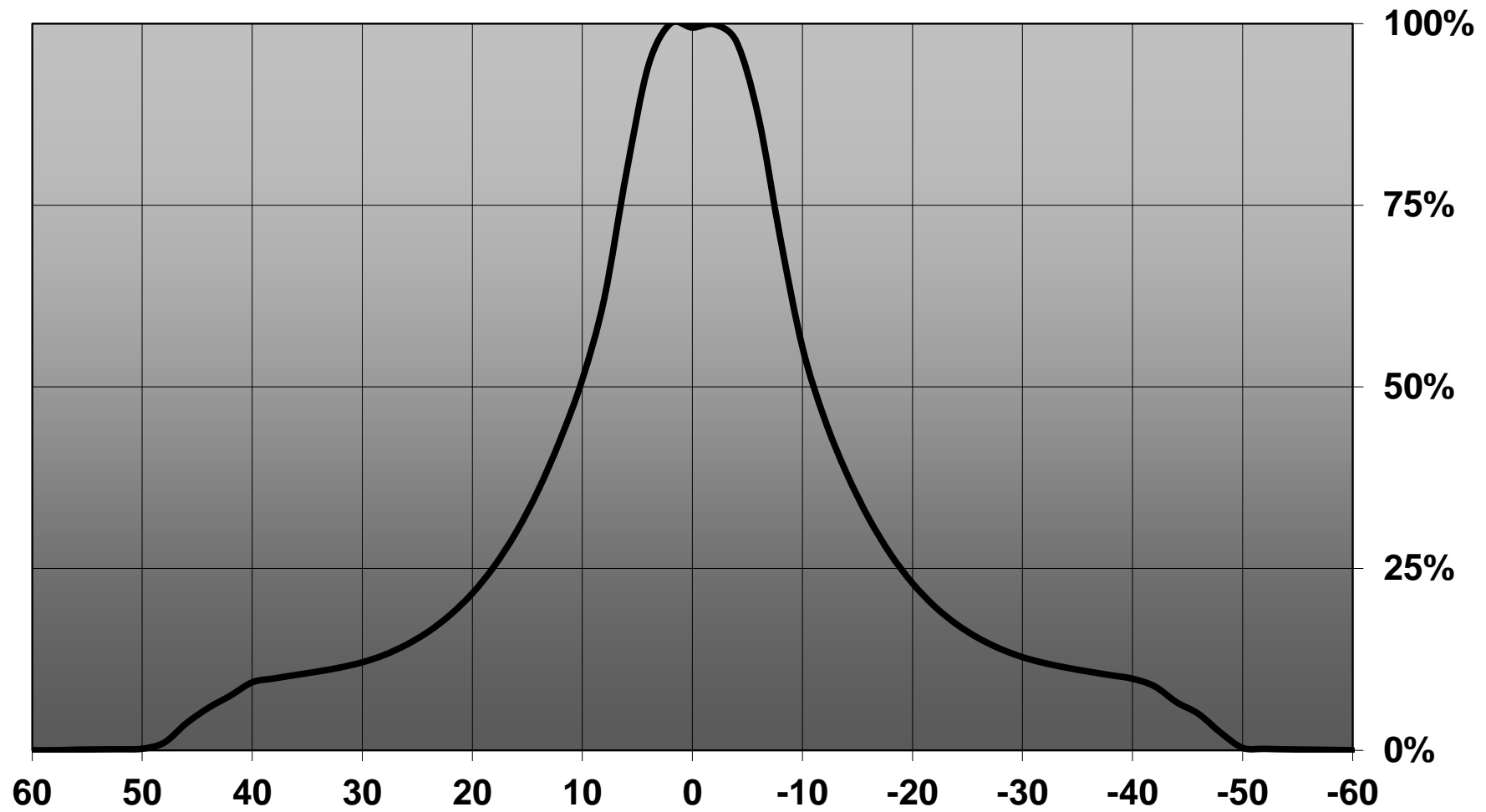
Product Number	CA14434_MINNIE-LT-M
Family	Minnie
Type	RefAssy
Color	metal
Diameter	35 mm
Height	15,6 mm
Style	round
Optic Material	
Holder Material	
Fastening	tape
Status	production ready
ROHS Compliant	Yes
Date Updated	20/09/2016



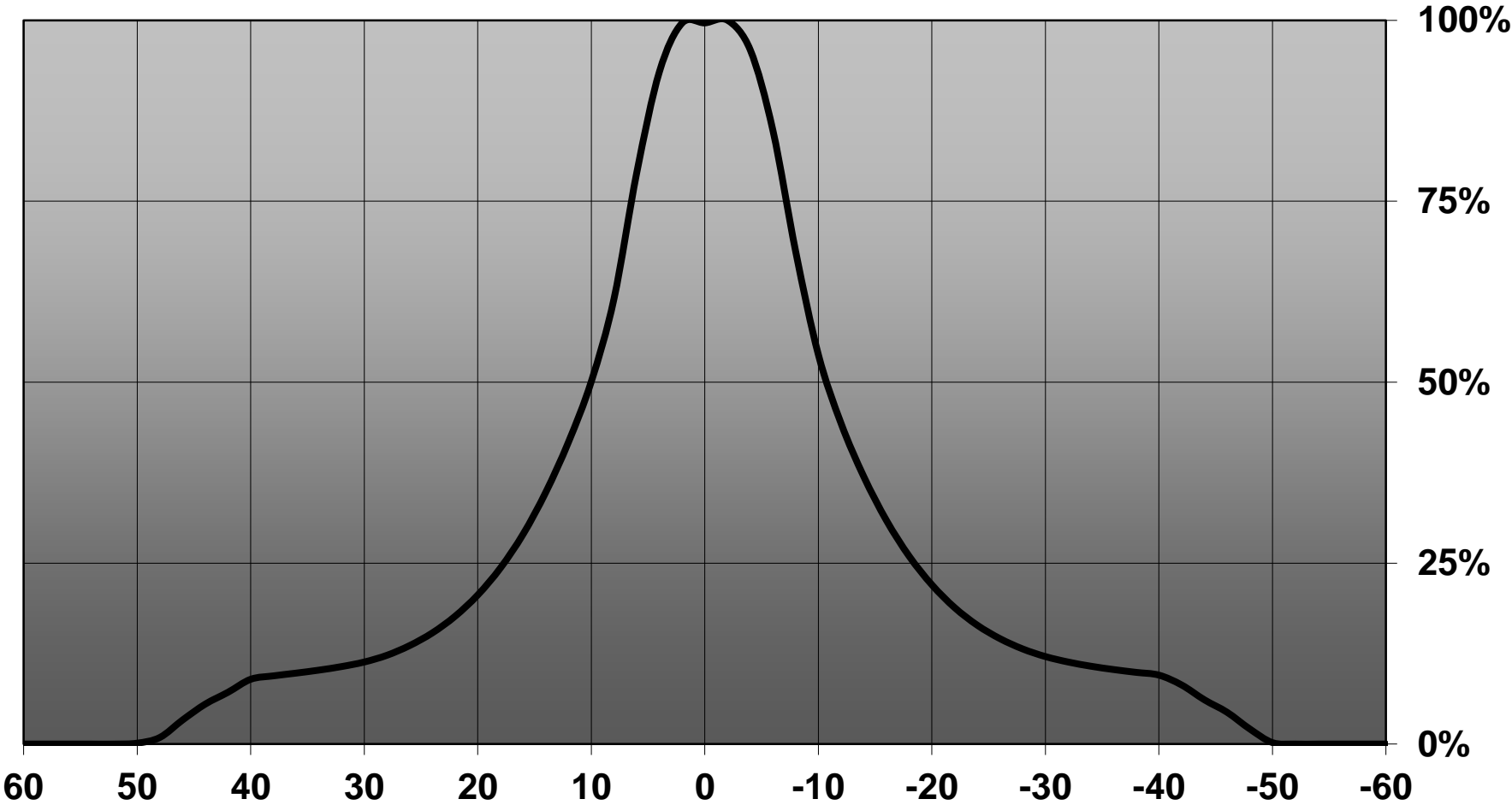
OPTICAL PROPERTIES

LED	Viewing	Light	Effi-		Connector
	Angle	Beam	ciency	cd/lm	
MK-R	21 deg	Medium	92 %	2.840	-
XHP50	21 deg	Medium	92 %	2.400	-
LUXEON M/MX	21 deg	Medium	92 %	2.900	-
Duris P10	sim: 18	Medium	sim: 92 %	sim: 4.800	-
PLW7070	32 deg	Medium	88 %	1.400	-

Relative intensity of CA14434_MINNIE-LT-M_(MK-R)



Relative intensity of CA14434_MINNIE-LT-M_(Luxeon_M)

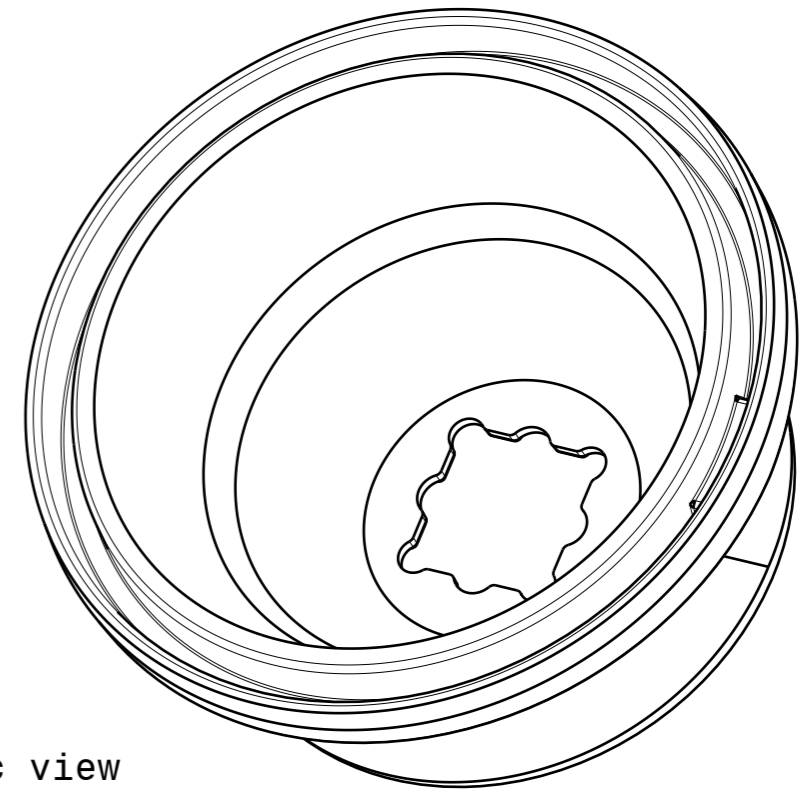
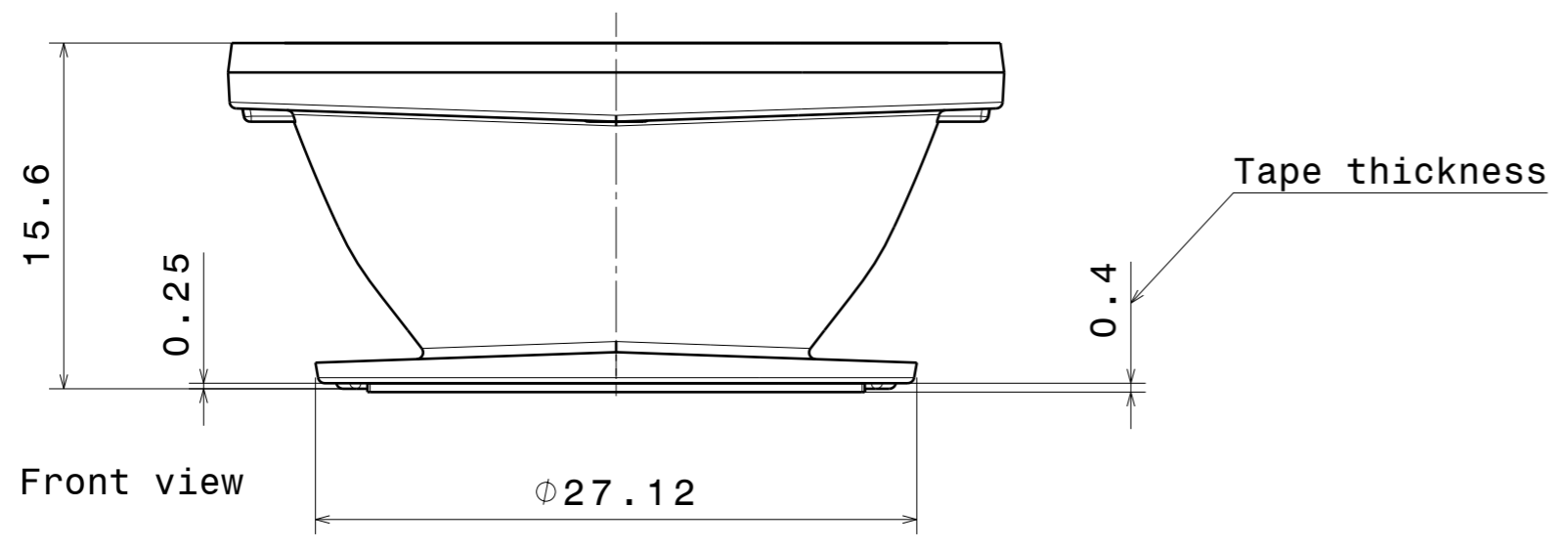


— 1: 0-180

H G F E D C B A

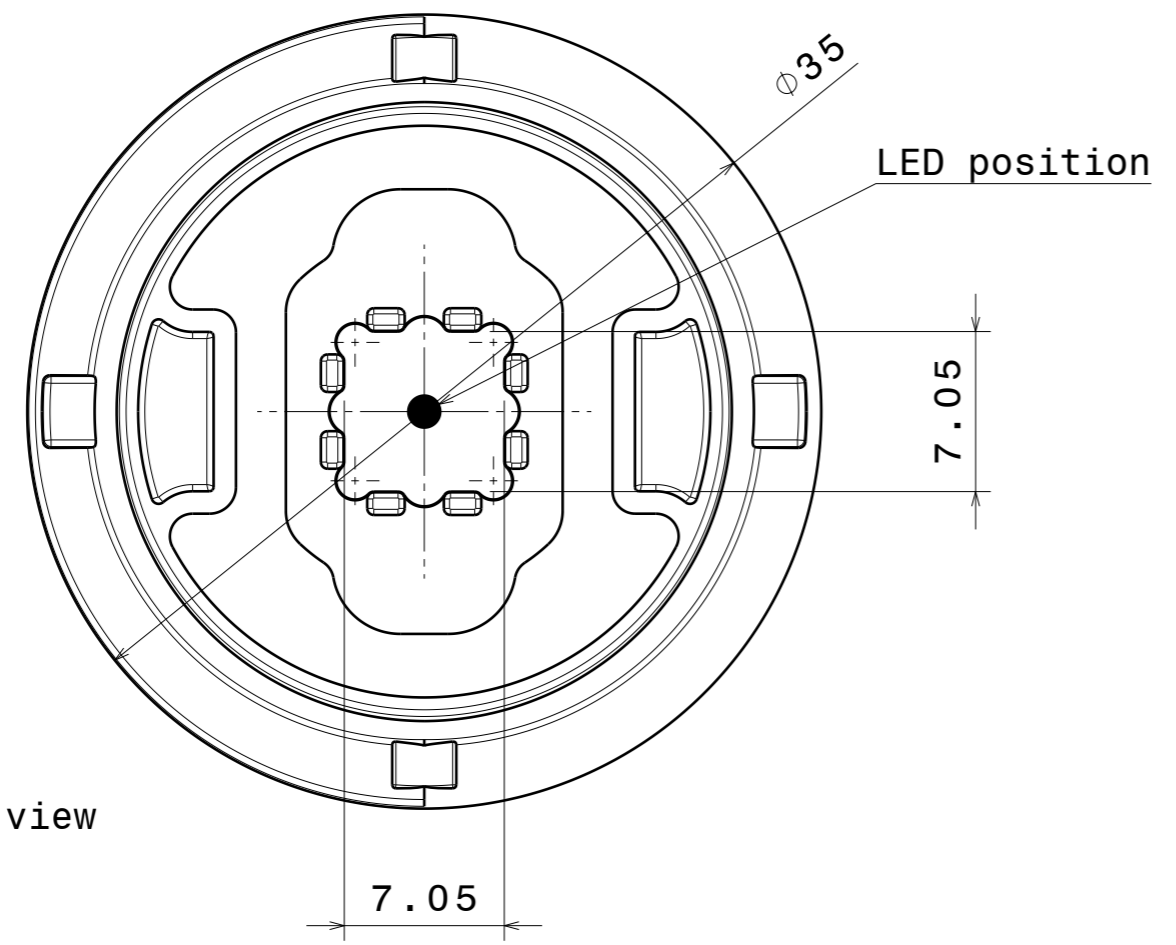
4

4



3

3



2

2

INDEX	PART NO	DESCRIPTION	MATERIAL	COLOUR
1	C14271	Reflector	PC	Metal
2	C10253	Tape	PU	Black

Tolerances if not otherwise shown
 According to DIN ISO 2768-1
 Linear measures: class C
 According to DIN ISO 2768-2
 Form and position: class L

LEDiL LediL Oy
 Salorankatu 10
 FIN 24240 SALO
 Finland

THIRD ANGLE PROJECTION:

DRAWING TITLE
CA14434_MINNIE-LT-M

This drawing is the property of LEDiL Oy. It may not be reproduced, copied or communicated without a written agreement with LEDiL Oy.

SIZE PART NUMBER
A3 CA14434

SCALE 3:1 WEIGHT - SHEET 1/1

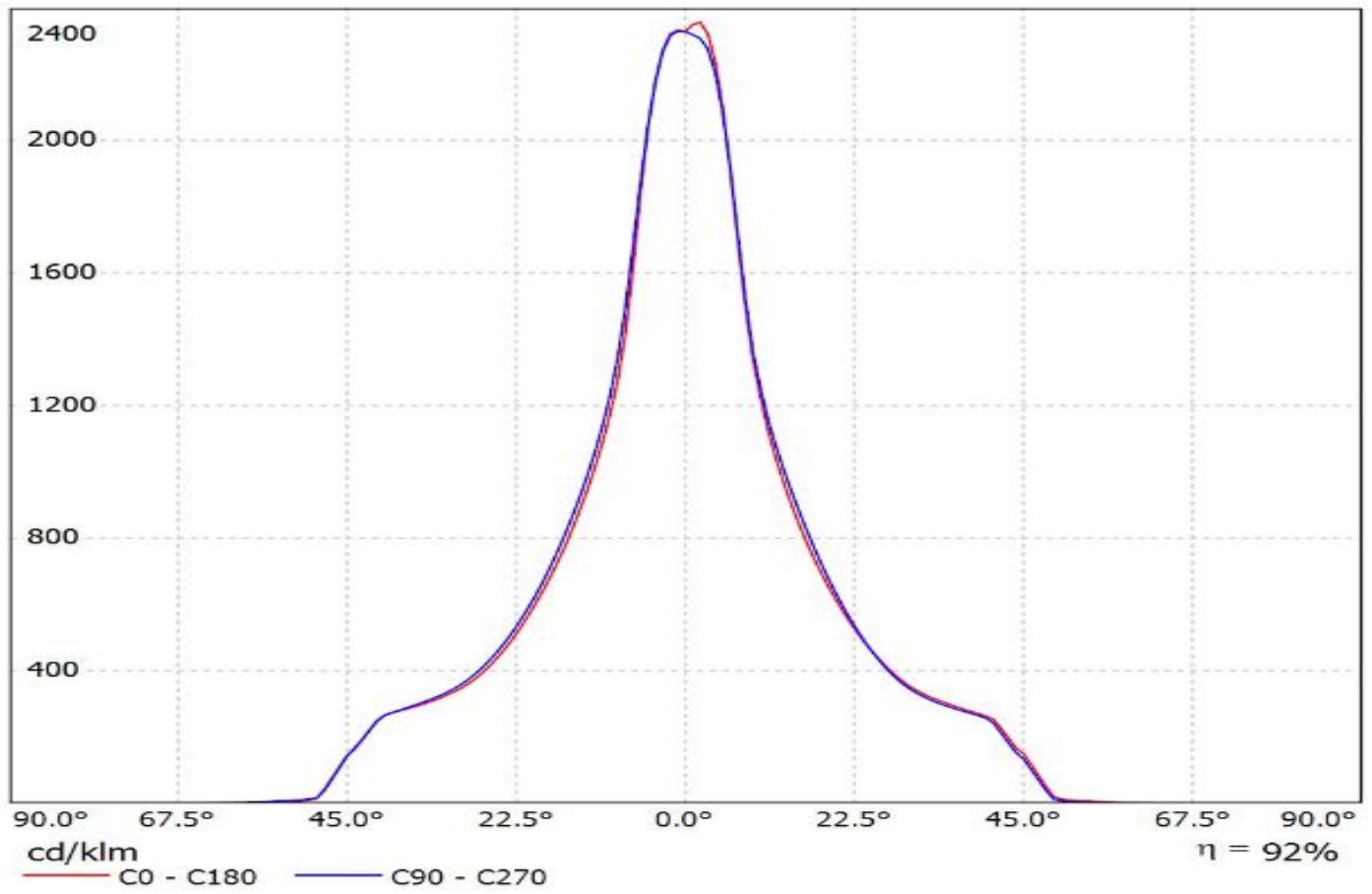
H G B A

1

1

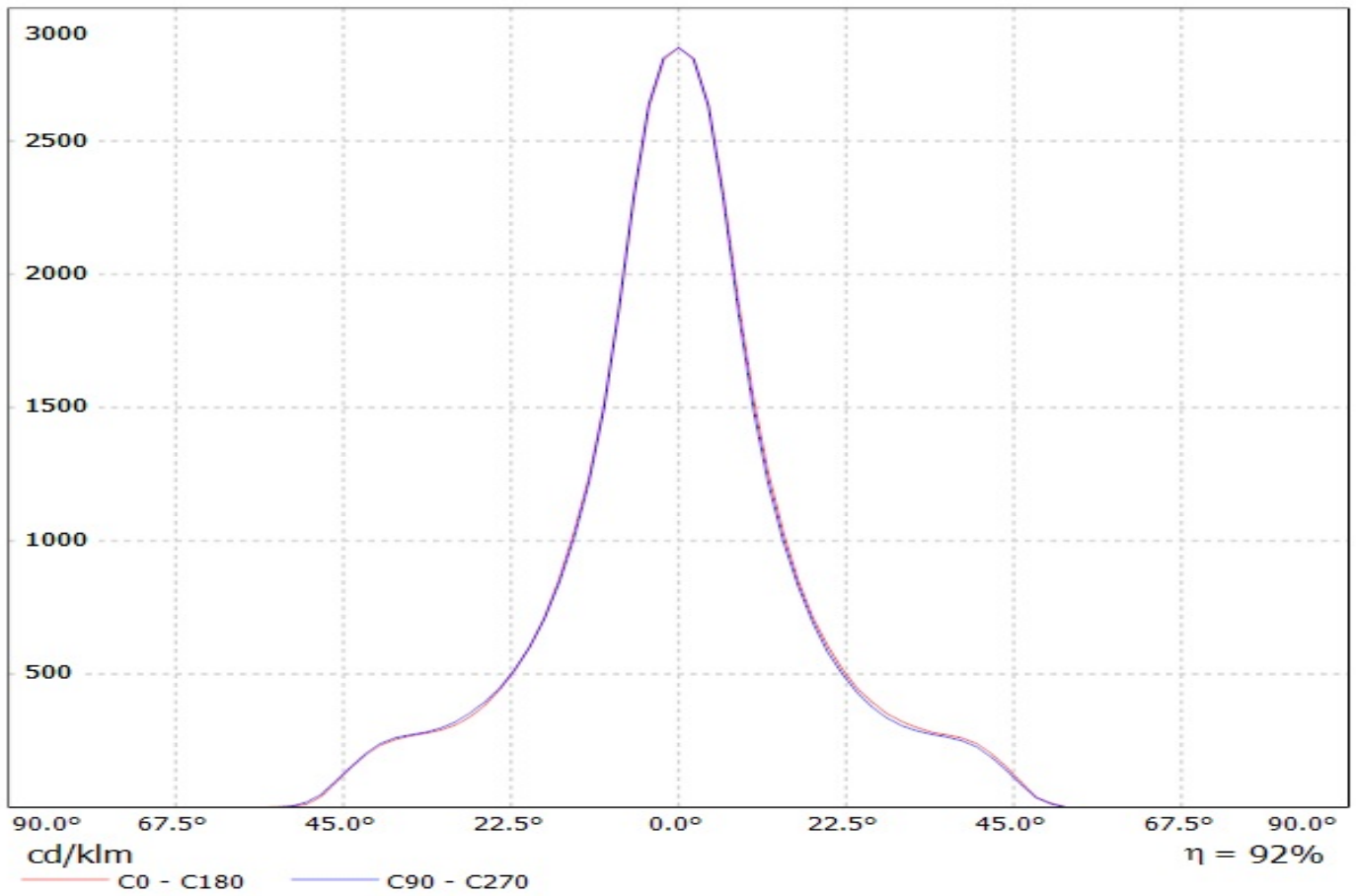
Luminaire: Ledil CA14434_MINNIE-LT-M_(XHP50)

Lamps: 1 x Cree_XHP50_(cool_white)_249.611lm@250mA_1.4376W_I=0.25A



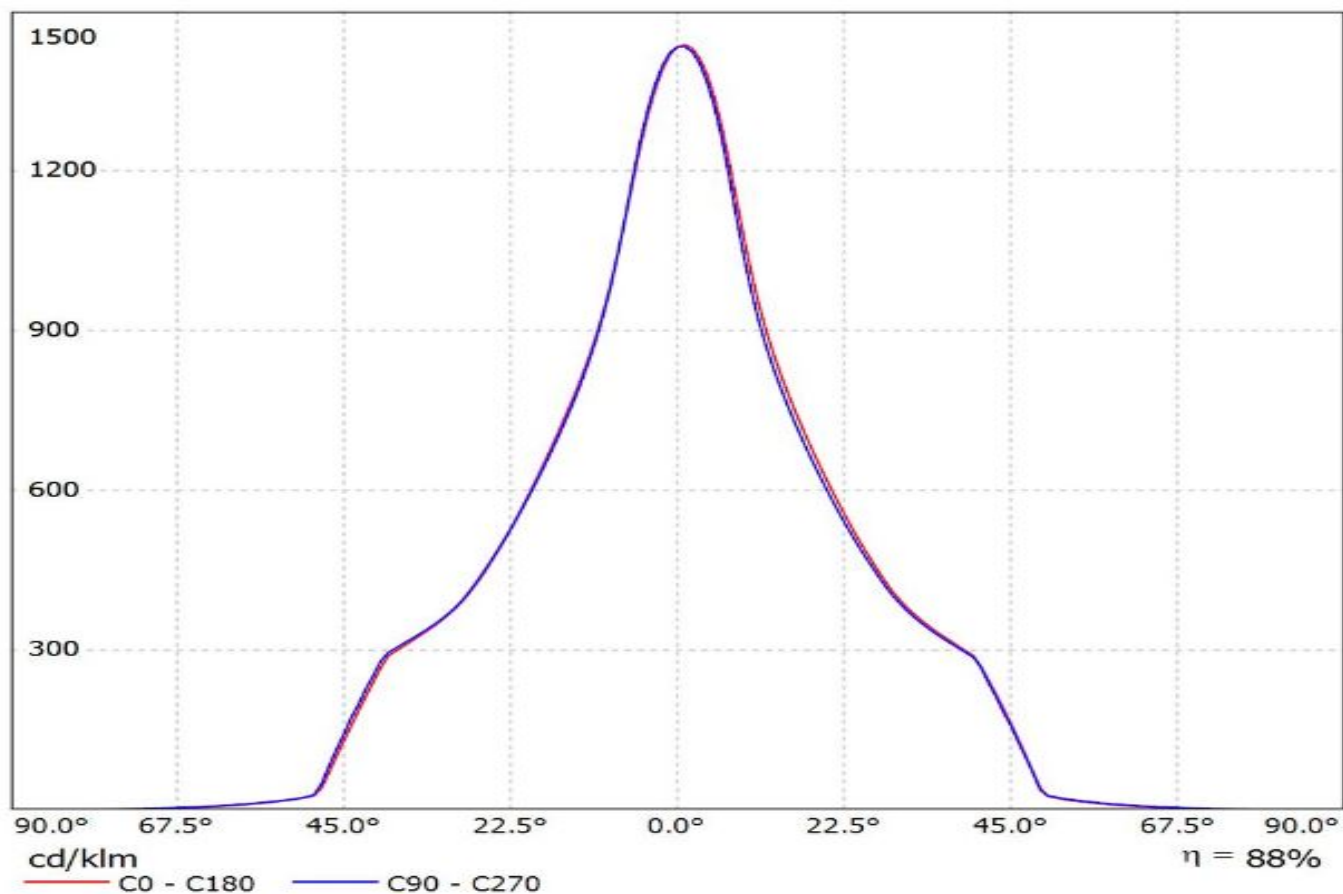
Luminaire: LEDil Oy CA14434_MINNIE-LT-M (Luxeon_M)

Lamps: 1 x Philips Lumileds Luxeon M (LXR7-SW30) 361.06lm @ 250mA CCT=3056K P=2.8W I=250mA



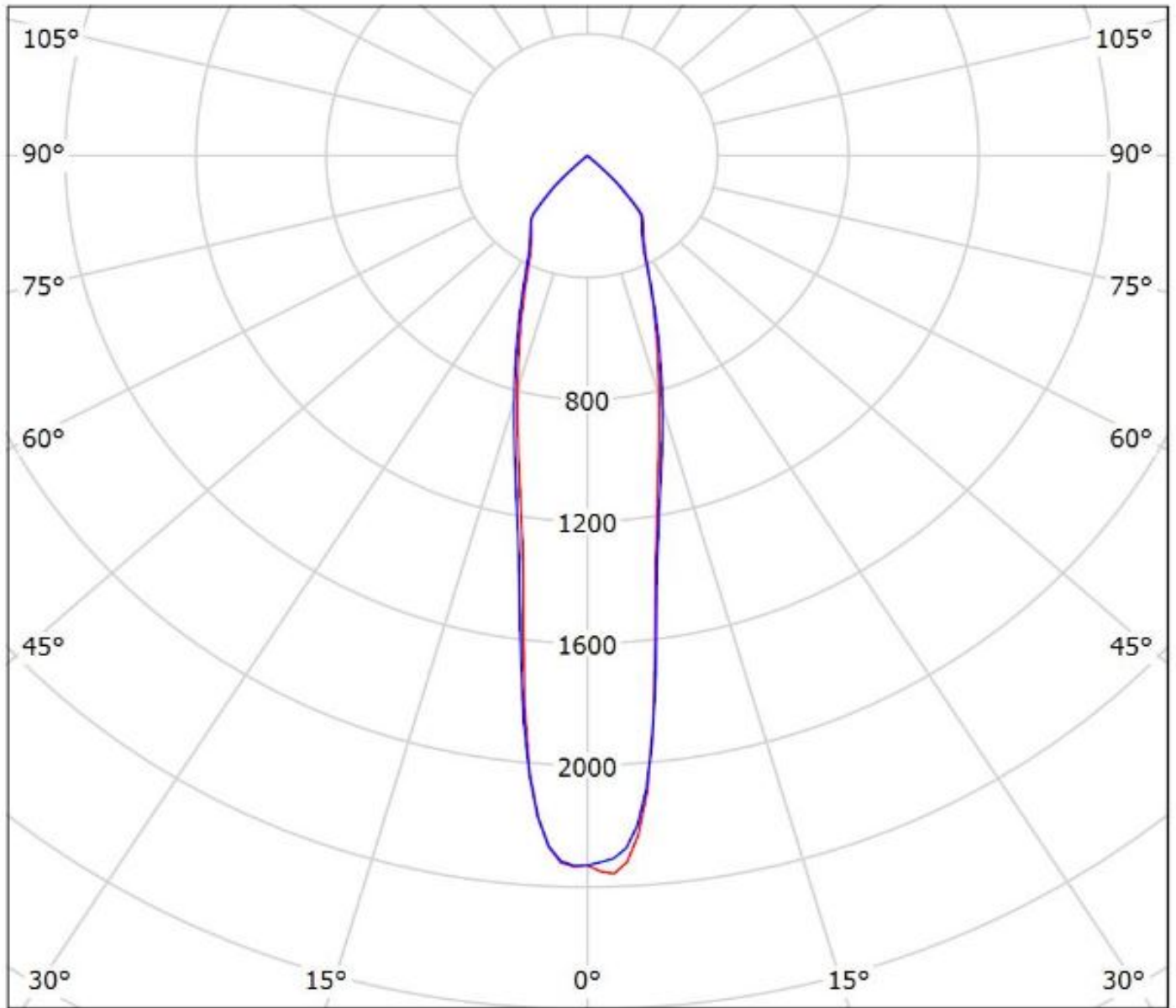
Luminaire: Ledil CA14434_MINNIE-LT-M_(Plessey_7070)

Lamps: 1 x Plessey_7070_(PLW37070GA740000)_412.851lm@250mA_P=2.82975W_I=0.25A



Luminaire: Ledil CA14434_MINNIE-LT-M_(XHP50)

Lamps: 1 x Cree_XHP50_(cool_white)_249.611lm@250mA_1.4376W_I=0.25A



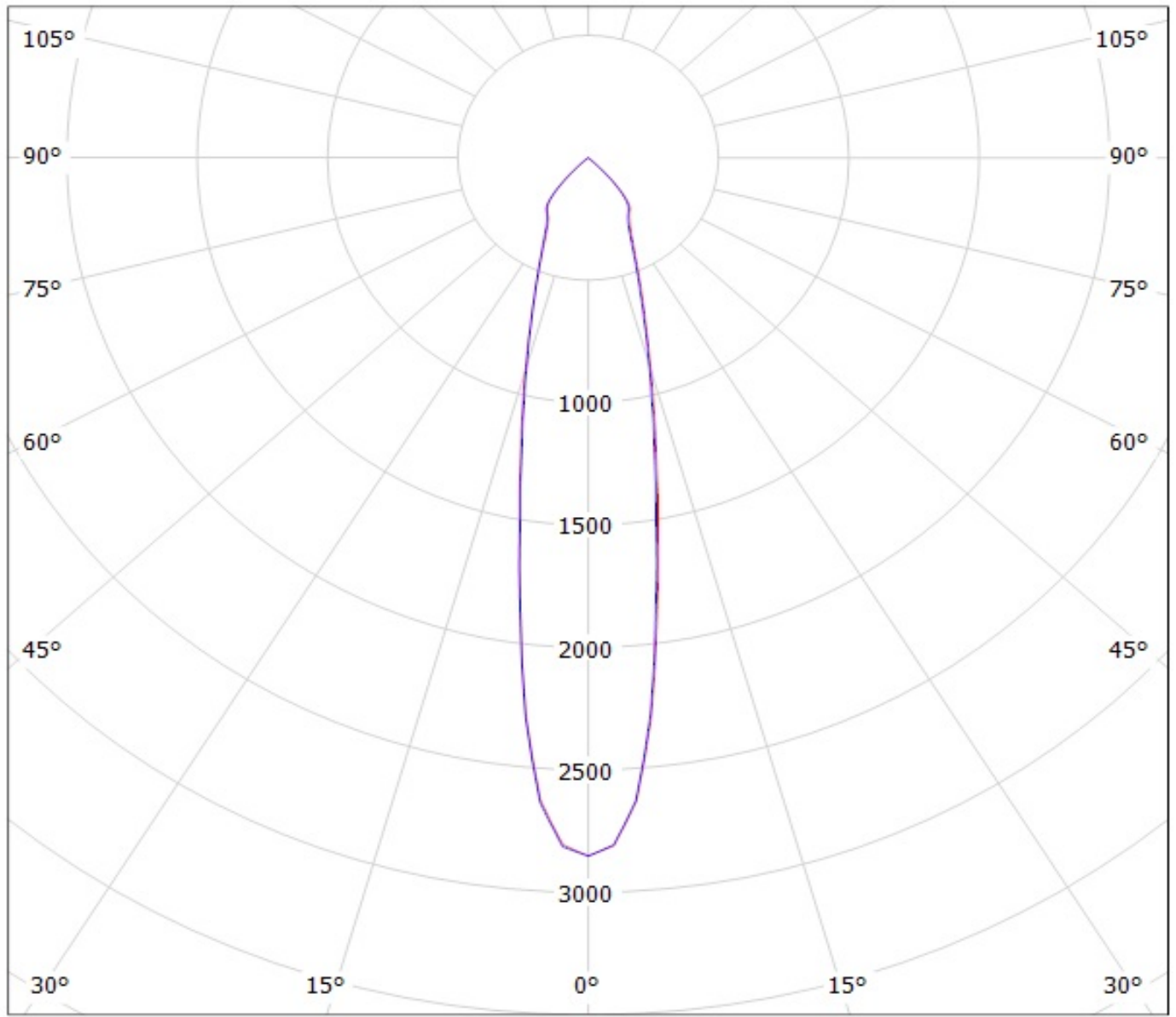
cd/klm

— C0 - C180 — C90 - C270

$\eta = 92\%$

Luminaire: LEDil Oy CA14434_MINNIE-LT-M_(Luxeon_M)

Lamps: 1 x Philips Lumileds Luxeon M (LXR7-SW30) 361.06lm @ 250mA CCT=3056K P=2.8W I=250mA



cd/klm

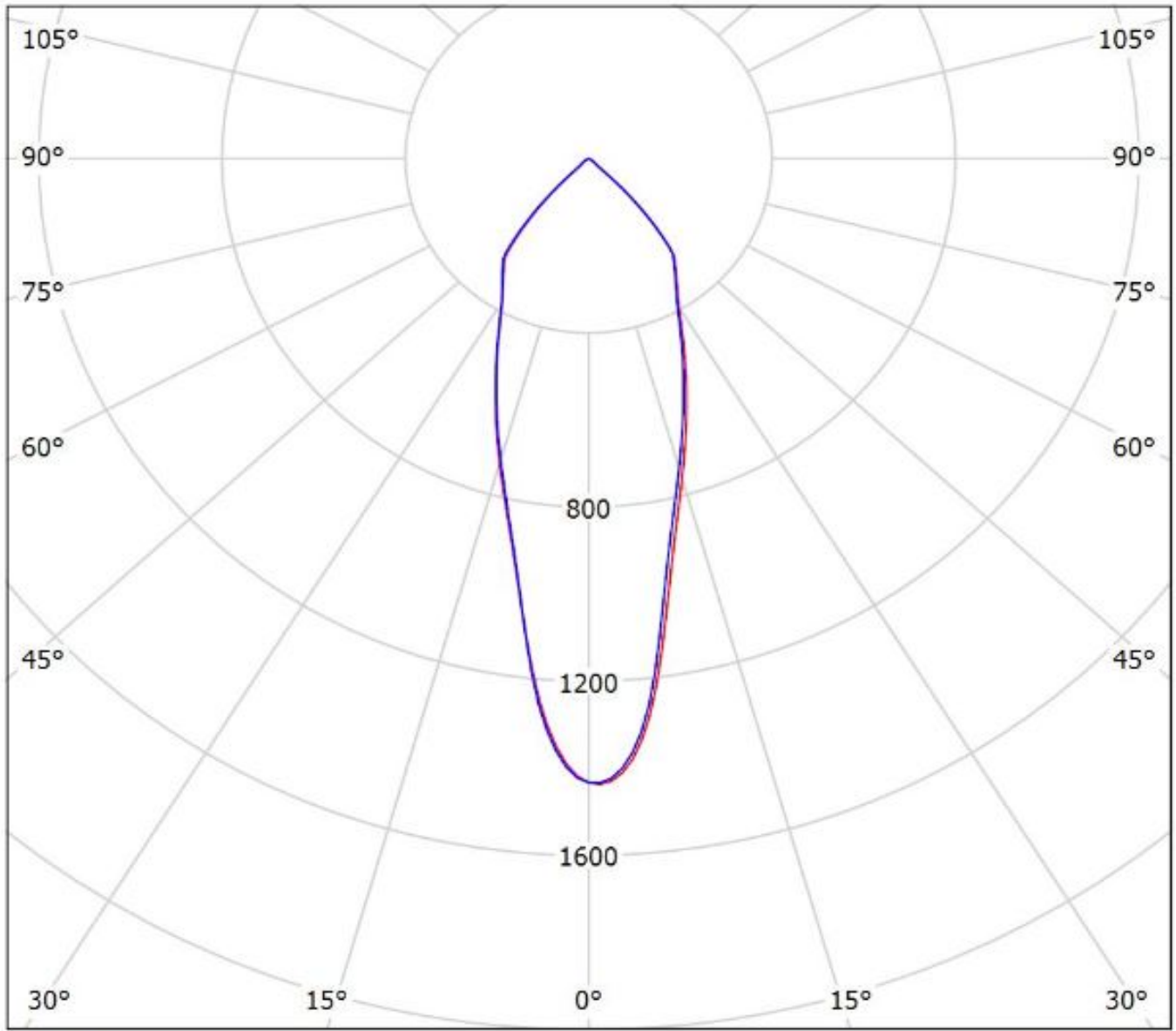
— C0 - C180

— C90 - C270

$\eta = 92\%$

Luminaire: Ledil CA14434_MINNIE-LT-M_(Plessey_7070)

Lamps: 1 x Plessey_7070_(PLW37070GA740000)_412.85lm@250mA_P=2.82975W_I=0.25A



cd/klm

— C0 - C180

— C90 - C270

$\eta = 88\%$

NOTE: The typical divergence will be changed by different color, chip size and chip position tolerance. The typical total divergence is the full angle measured where the luminous intensity is half of the peak value.