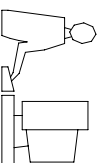
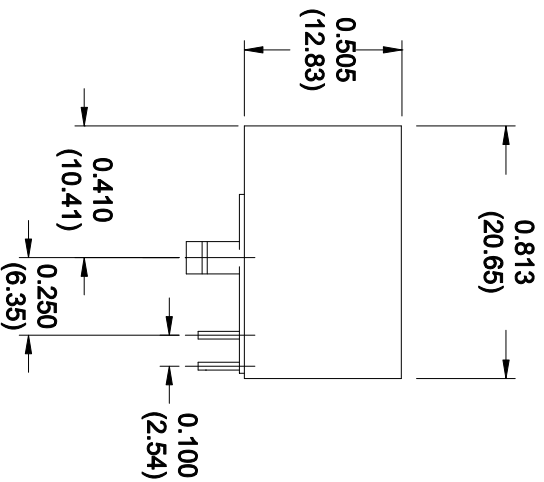
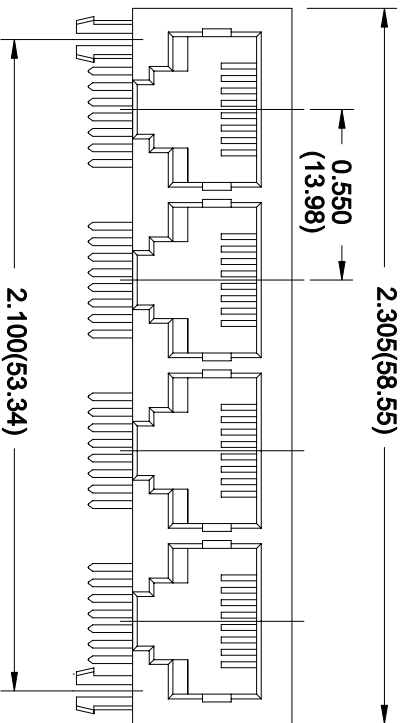


THIS IS A CAD GENERATED DRAWING  
DO NOT MAKE MANUAL REVISIONS TO MASTER



ISSUE NUMBER
ORIGINAL
①
HOUSING MATERIAL WAS PBT POLYESTER
F. BRIONES JULY 8/05
③
DIM.:250 WAS .311
F. BRIONES MAY12/08
④



**NOTES**

**MATERIAL AND FINISH:**

**BODY:** HOUSING: NYLON 66, COLOR BLACK

**CONTACTS:** PHOSPHOR BRONZE(0.45mm DIA.)  
GOLD PLATED ON CONTACT AREA, TIN ON TAILS

**CAVITY CONFORMS TO FCC RULES AND REGULATIONS PART 68, SUBPART F**

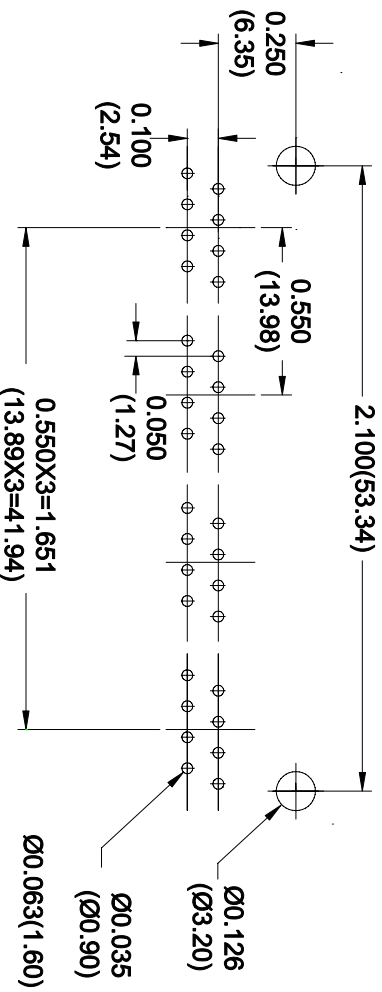
AOO-432-260-450 GOLD FLASH

AOO-432-360-450 15 MICRONS OF GOLD

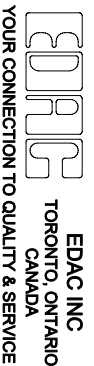
AOO-432-660-450 30 MICRONS OF GOLD

AOO-432-960-450 50 MICRONS OF GOLD

**PC BOARD LAYOUT  
COMPONENT SIDE SHOWN**



**4 PORTS, 8 POSITIONS R/ANGLE PCB JACK**



THESE DRAWINGS AND SPECIFICATIONS ARE THE PROPERTY OF EDAC INC. AND SHALL NOT BE REPRODUCED, OR COPIED OR USED AS THE BASIS FOR THE MANUFACTURE OR SALE OF APPARATUS WITHOUT WRITTEN PERMISSION.

ACAD REF. DRAWING: AOO-432-260-450

DRAWN: F. BRIONES DATE: MAR. 12/03

PART NUMBER

AOO-432-260-450

DRAWING NUMBER

AOO-432-260-450

ISSUE  
4