



PRODUCT DATASHEET

Eva series

last update 30/12/2016

DETAILS

Product Number	CA14403_EVA-O
Family	Eva
Type	Assembly
Color	black
Diameter	37,7 mm
Height	17,2 mm
Style	round
Optic Material	PMMA
Holder Material	
Fastening	tape, pin
Status	production ready
ROHS Compliant	Yes
Date Updated	30/12/2016

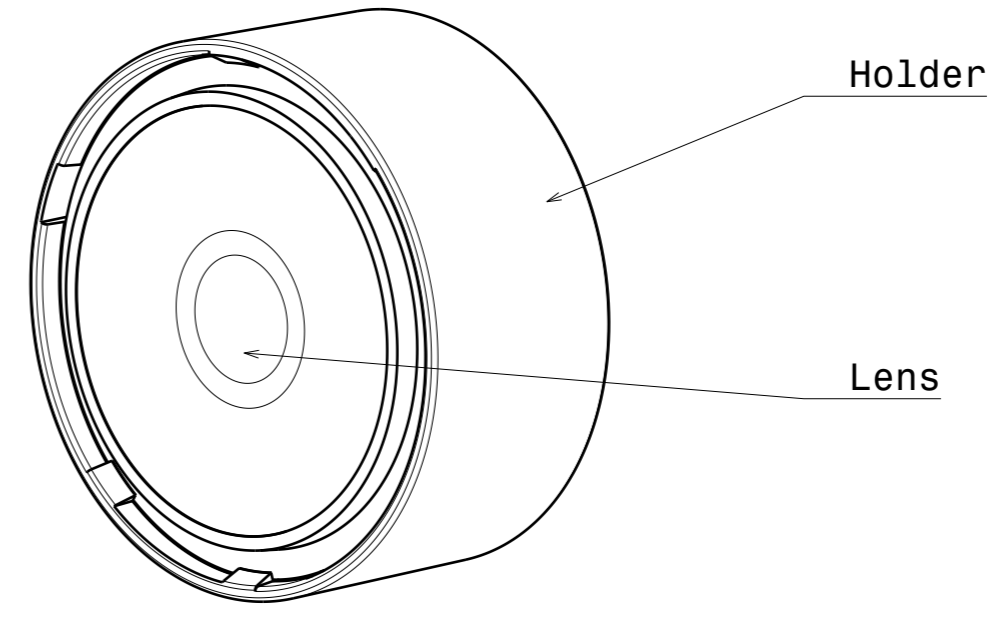
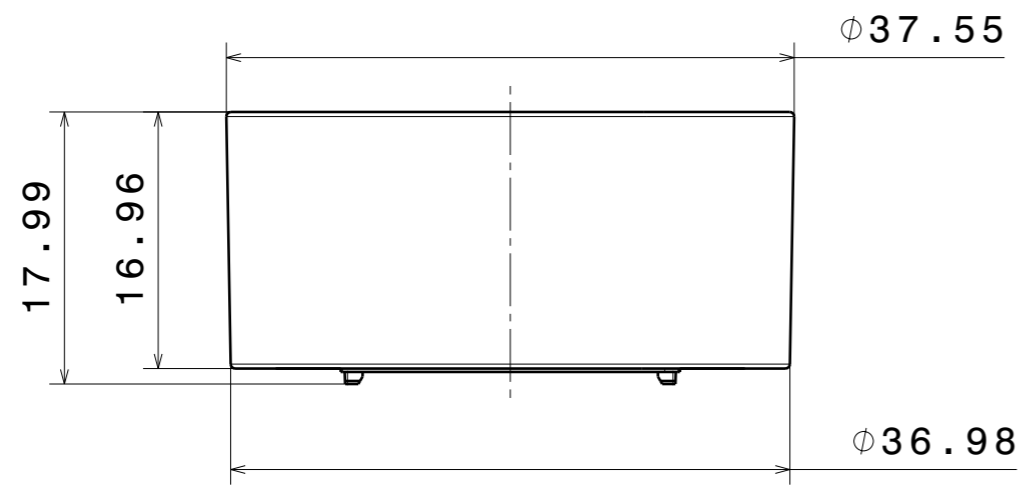
OPTICAL PROPERTIES

LED	Viewing Angle	Light Beam	Efficiency	cd/lm	Connector
LUXEON M/MMX	20.5+37 deg	Oval	83 %	2.700	-
Z8Y22P	sim: 17+38	Oval	sim: 97 %	sim: 4.200	-



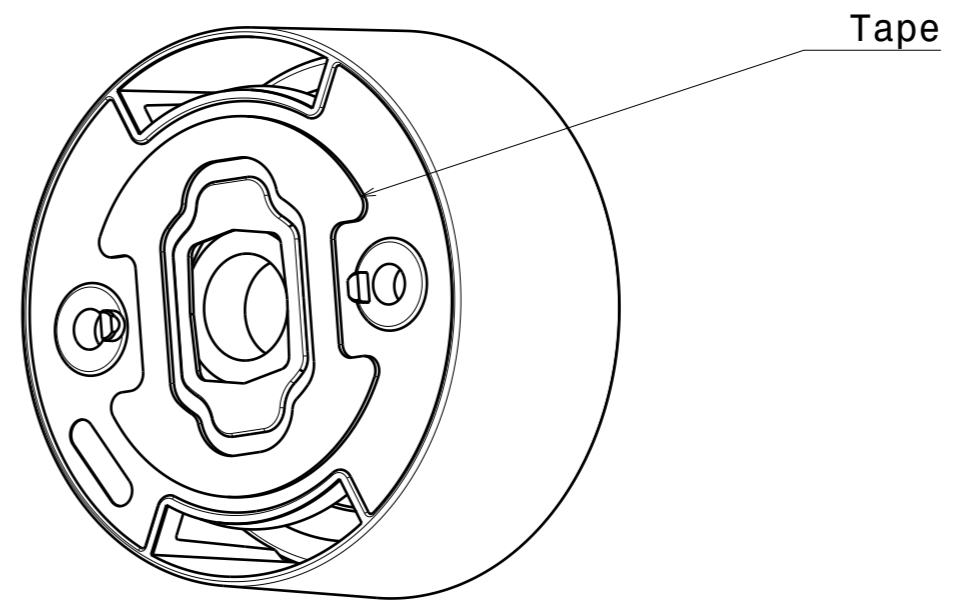
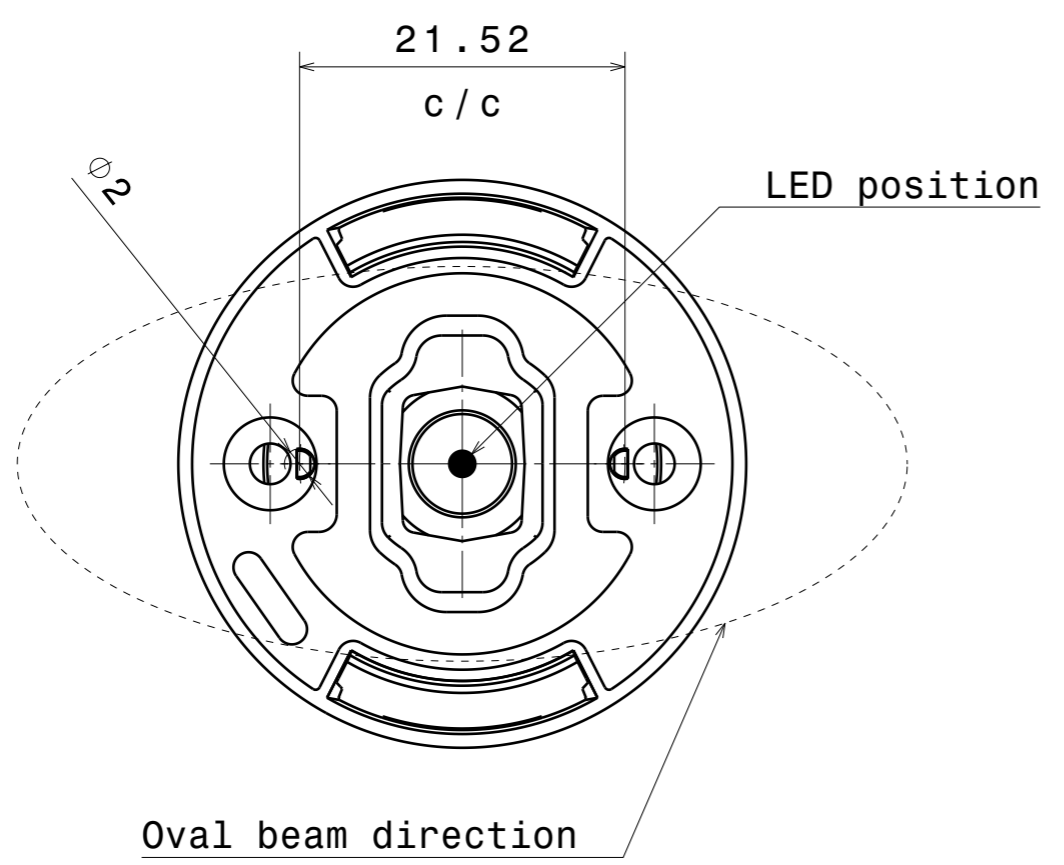
H G F E D C B A

4



4

3



3

2

2

INDEX	PART NO	MATERIAL	COLOUR
1	Holder	PC	Black
2	Lens	PMMA	Clear
3	Tape	-	Black

Tolerances if not otherwise shown
According to DIN ISO 2768-1
Linear measures:
Up to 30mm class M, otherwise class C
According to DIN ISO 2768-2
Form and position: class L

LEDiL LediL Oy
Salorankatu 10
FIN 24240 SALO
Finland

THIRD ANGLE PROJECTION:

DRAWING TITLE
CA14403_EVA-0

This drawing is the property of LEDiL Oy. It may not be reproduced, copied or communicated without a written agreement with LEDiL Oy.

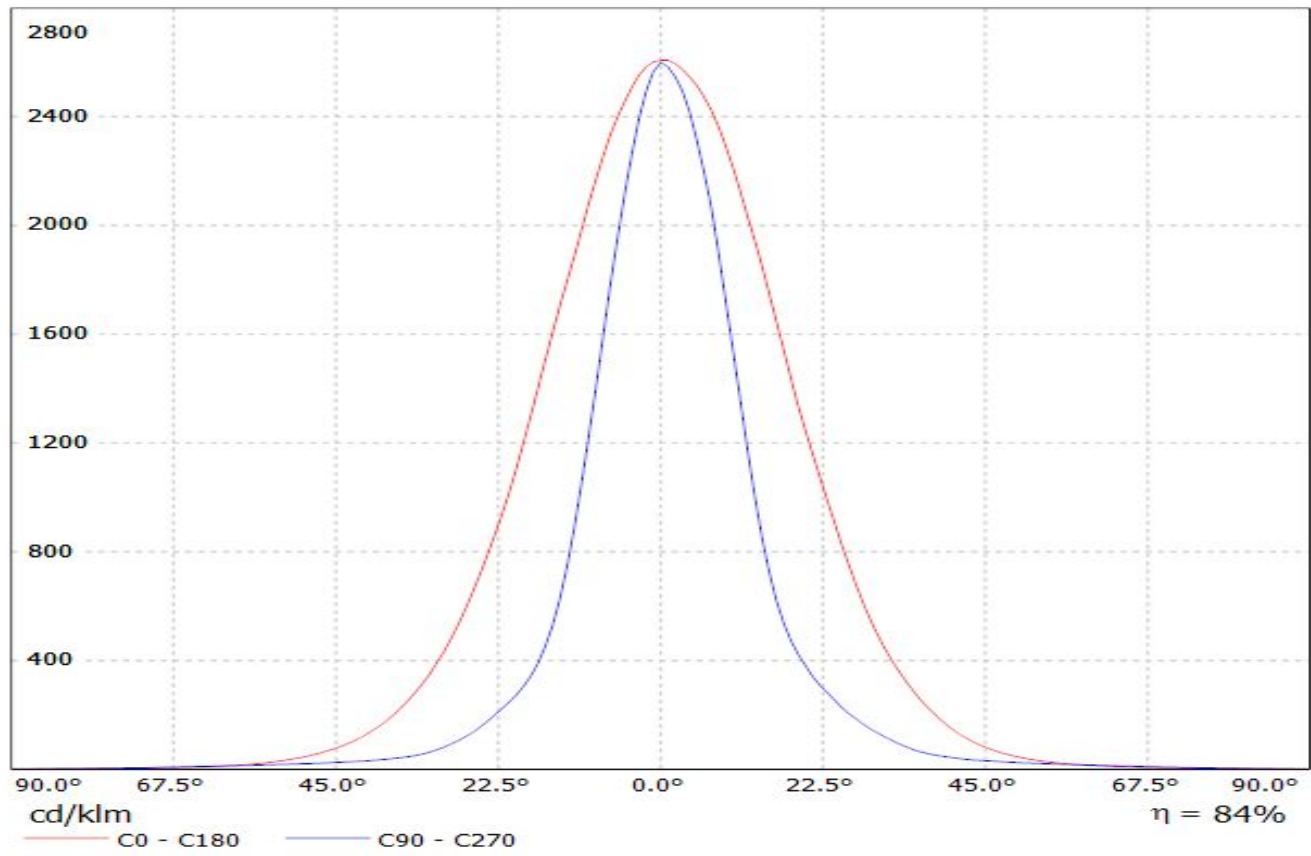
SIZE PART NUMBER
A3 CA14403

SCALE 2:1 WEIGHT - SHEET 1/1

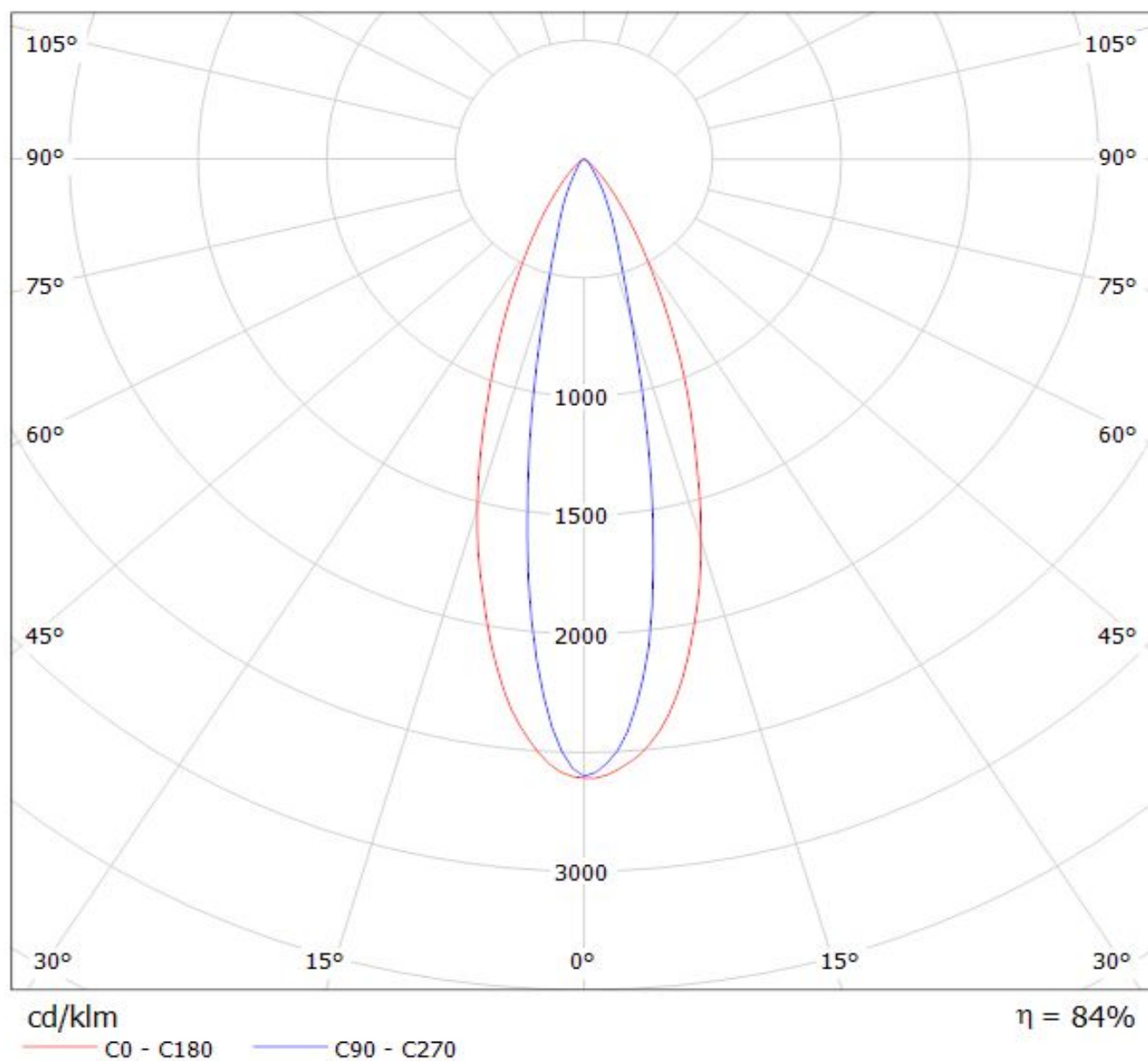
H G B A

1

Luminaire: LEDIL OY CA14403_EVA-O (Luxeon M) Efficiency=83%
Lamps: 1 x Luxeon M (362lm @ 250mA)



Luminaire: LEDIL OY CA14403_EVA-O (Luxeon M) Efficiency=83%
Lamps: 1 x Luxeon M (362lm @ 250mA)



NOTE: The typical divergence will be changed by different color, chip size and chip position tolerance. The typical total divergence is the full angle measured where the luminous intensity is half of the peak value.