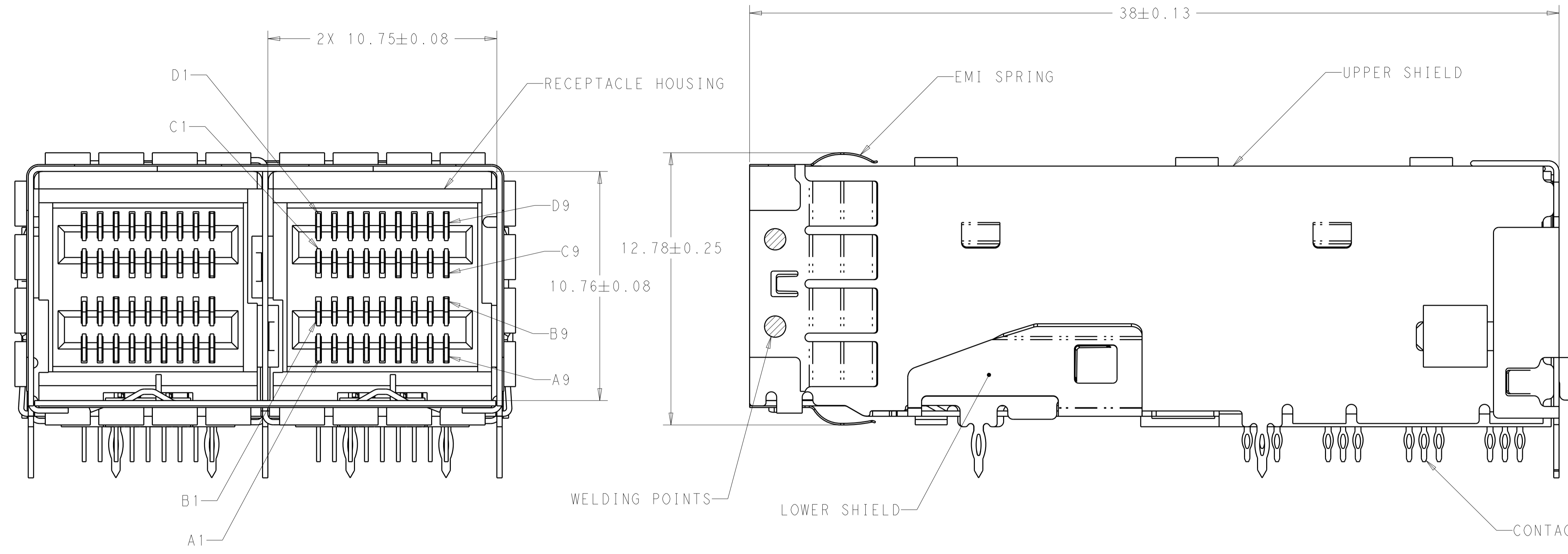
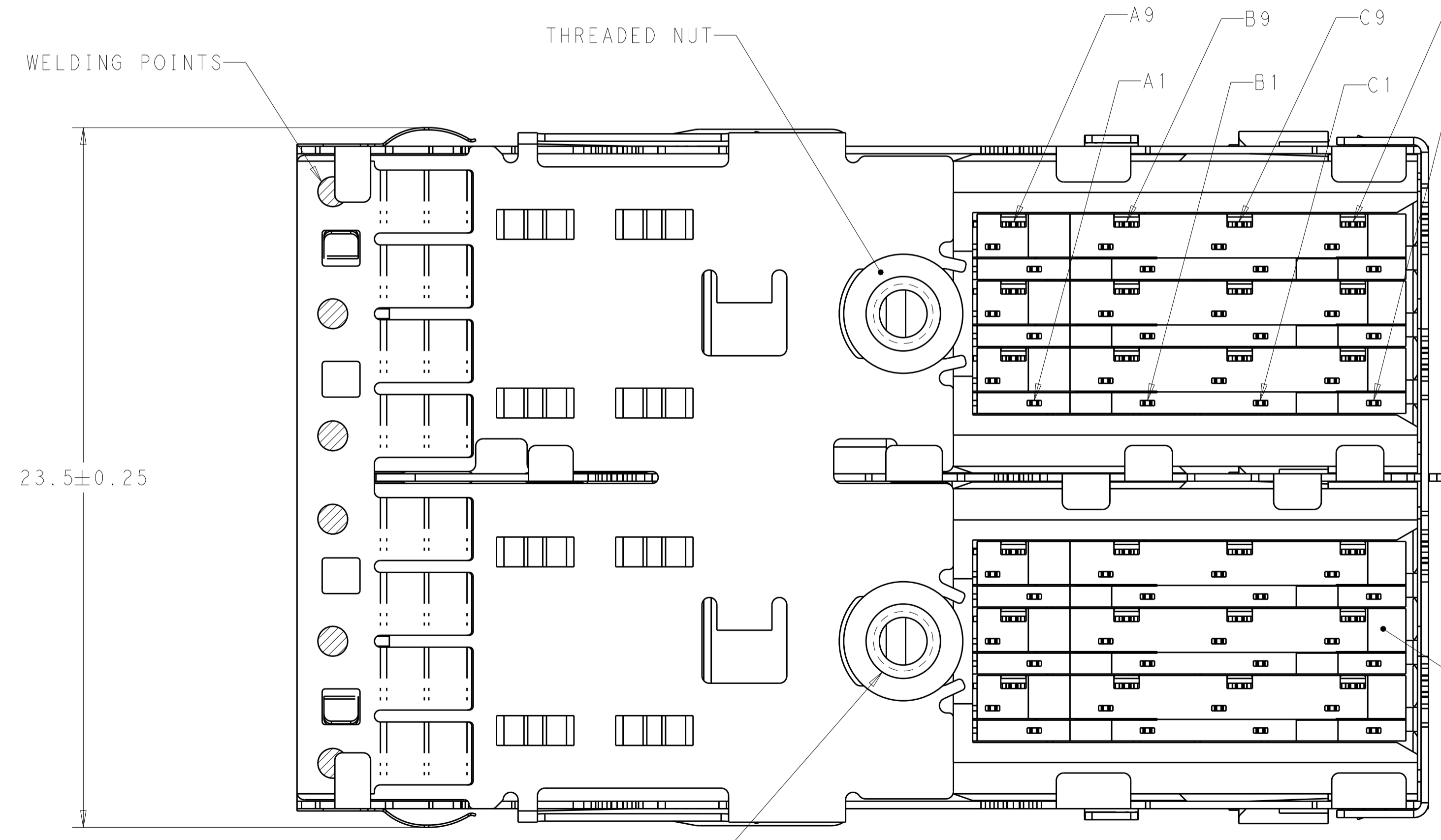


| LOC | DIST | REVISIONS                 |           |     |      |
|-----|------|---------------------------|-----------|-----|------|
| P   | LTN  | DESCRIPTION               | DATE      | DMN | APVD |
| A   |      | INITIAL RELEASE           | 18FEB2014 | BM  | DG   |
| B   |      | REVISED PER ECO-16-006997 | 09MAY2016 | JY  | SH   |



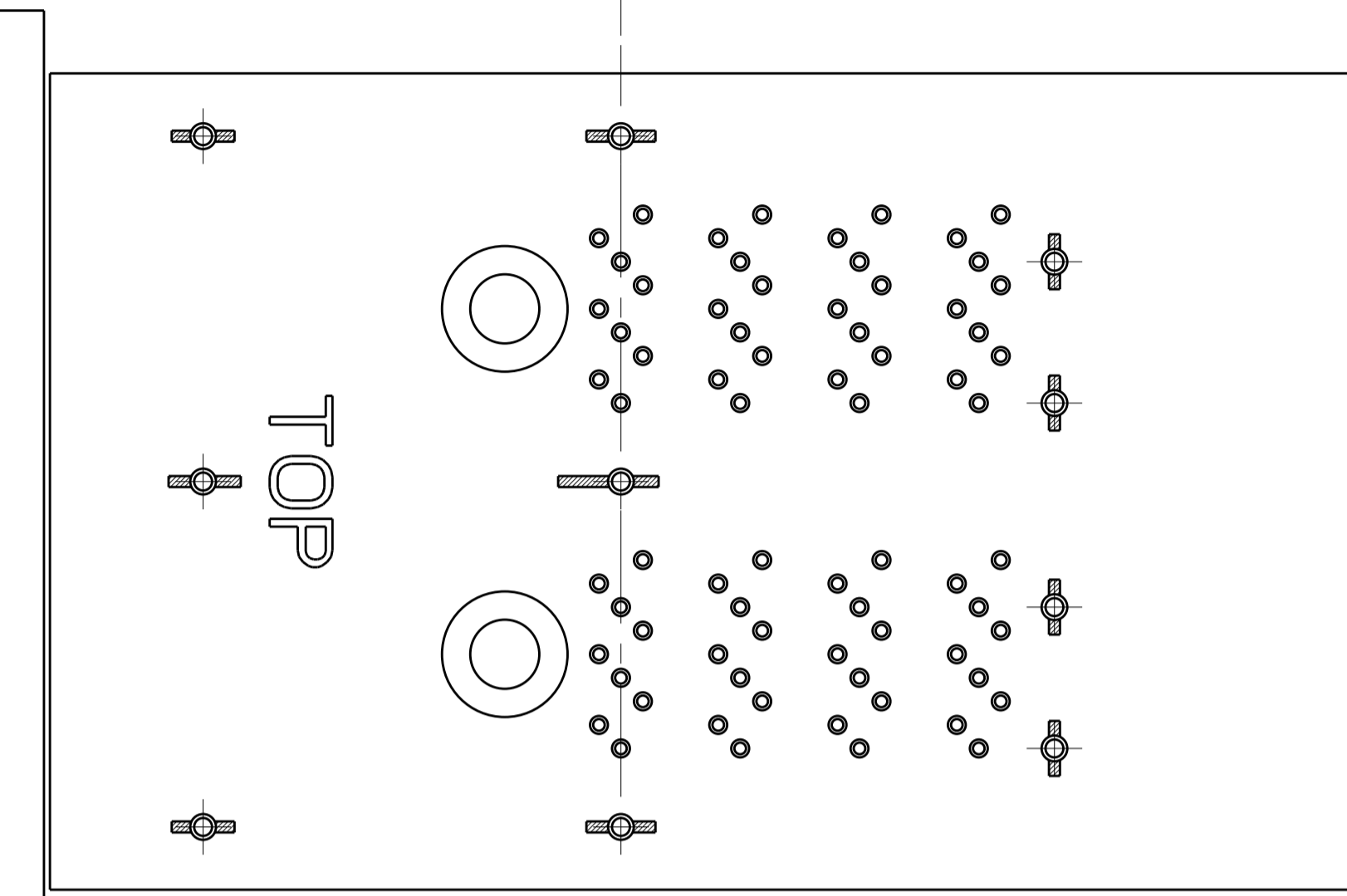
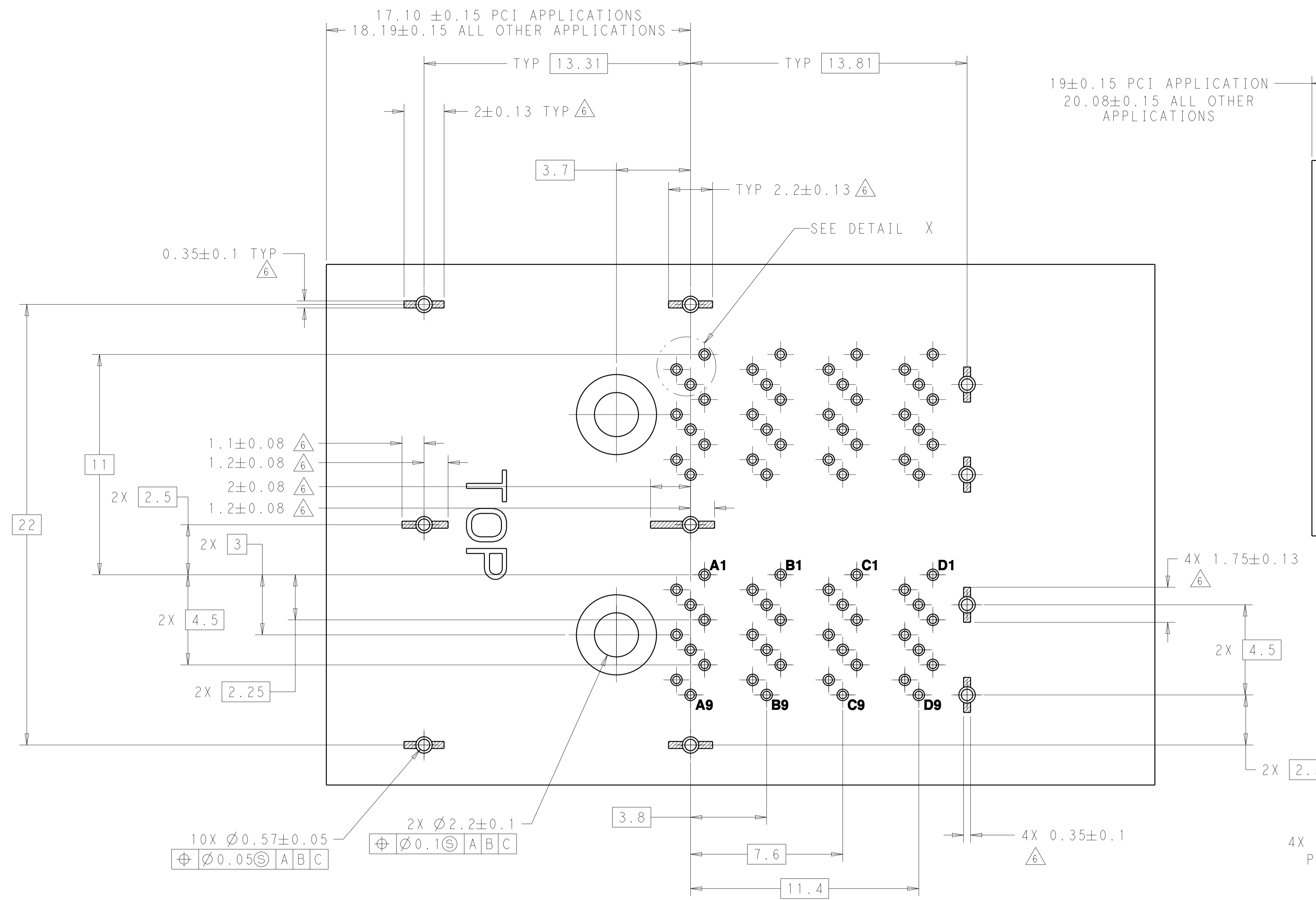
1. MATERIALS  
 RECEPTACLE HOUSING, LCP, BLACK, UL94V-0 RATED  
 SHIELD ASSY: NICKEL SILVER COPPER ALLOY  
 CONTACTS: COPPER ALLOY  
 EMI SPRING: COPPER ALLOY  
 THREADED NUT: BRASS  
 CHICKLETS: LCP, BLACK, UL 94V-0 RATED
2. FINISH  
 EMI SPRING: TIN PLATE OVER NICKEL PLATE  
 NON-PLATED EDGES PERMISSABLE  
 THREADED NUT: NICKEL PLATE
3. CONTACT FINISH: 0.76µm MIN GOLD IN CONTACT AREA, 1.25µm MIN TIN ON PCB TAILS. ALL OVER 1.27µm NICKEL UNDERPLATE.
4. THREAD LENGTH OF FASTENER = PCB THICKNESS + 1.45 MAX
5. THIS PRODUCT HAS NOT COMPLETED VALIDATION/QUALIFICATION TESTING
6. RECOMMENDED TRACE KEEP OUT ZONE



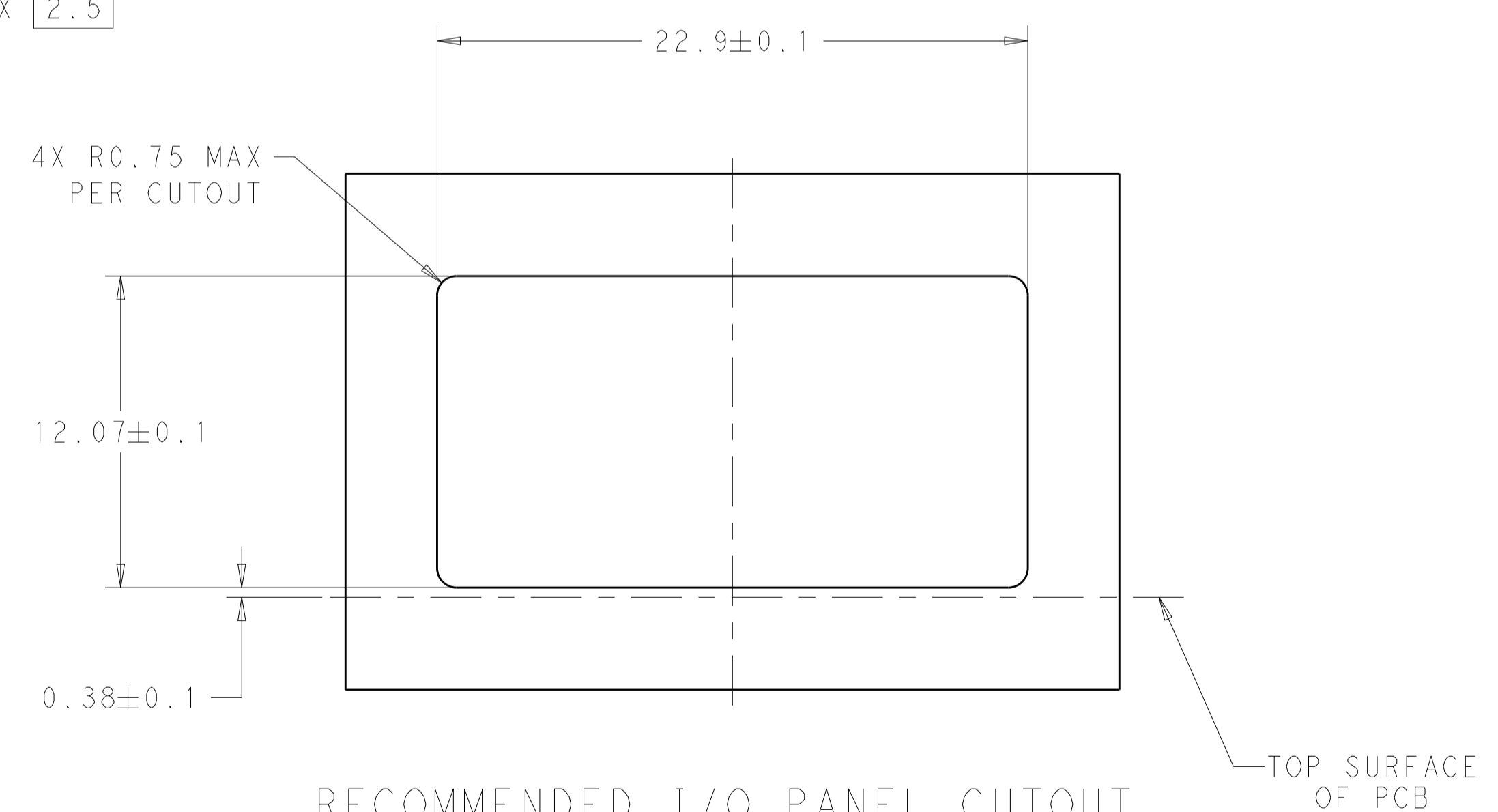
2274682-1  
 PART NUMBER

|  |   |                            |                                      |       |   |       |   |       |   |       |   |        |   |                          |      |
|--|---|----------------------------|--------------------------------------|-------|---|-------|---|-------|---|-------|---|--------|---|--------------------------|------|
| THIS DRAWING IS A CONTROLLED DOCUMENT.   |   | DMN B. MATTHEWS 18FEB2014  | TE Connectivity                      |       |   |       |   |       |   |       |   |        |   |                          |      |
| DIMENSIONS: mm   |   | CHK D. GORENC 18FEB2014    |                                      |       |   |       |   |       |   |       |   |        |   |                          |      |
| <table border="1"> <tr><td>0 PLC</td><td>±</td></tr> <tr><td>1 PLC</td><td>±</td></tr> <tr><td>2 PLC</td><td>±</td></tr> <tr><td>3 PLC</td><td>±</td></tr> <tr><td>4 PLC</td><td>±</td></tr> <tr><td>ANGLES</td><td>±</td></tr> </table> |   | 0 PLC                      | ±                                    | 1 PLC | ± | 2 PLC | ± | 3 PLC | ± | 4 PLC | ± | ANGLES | ± | APVD D. GORENC 18FEB2014 | NAME |
| 0 PLC  | ± |                            |                                      |       |   |       |   |       |   |       |   |        |   |                          |      |
| 1 PLC  | ± |                            |                                      |       |   |       |   |       |   |       |   |        |   |                          |      |
| 2 PLC  | ± |                            |                                      |       |   |       |   |       |   |       |   |        |   |                          |      |
| 3 PLC  | ± |                            |                                      |       |   |       |   |       |   |       |   |        |   |                          |      |
| 4 PLC  | ± |                            |                                      |       |   |       |   |       |   |       |   |        |   |                          |      |
| ANGLES   | ± |                            |                                      |       |   |       |   |       |   |       |   |        |   |                          |      |
| MATERIAL   |   | PRODUCT SPEC 108-2462      | RECEPTACLE ASSEMBLY, MINI-SAS HD, 2X |       |   |       |   |       |   |       |   |        |   |                          |      |
| FINISH   |   | APPLICATION SPEC 114-13316 | SIZE CAGE CODE DRAWING NO            |       |   |       |   |       |   |       |   |        |   |                          |      |
|  |   | WEIGHT                     | RESTRICTED TO                        |       |   |       |   |       |   |       |   |        |   |                          |      |
|  |   | Customer Drawing           | A100779C=2274682                     |       |   |       |   |       |   |       |   |        |   |                          |      |
|  |   | SCALE 8:1                  | SHEET 1 OF 2 REV B                   |       |   |       |   |       |   |       |   |        |   |                          |      |

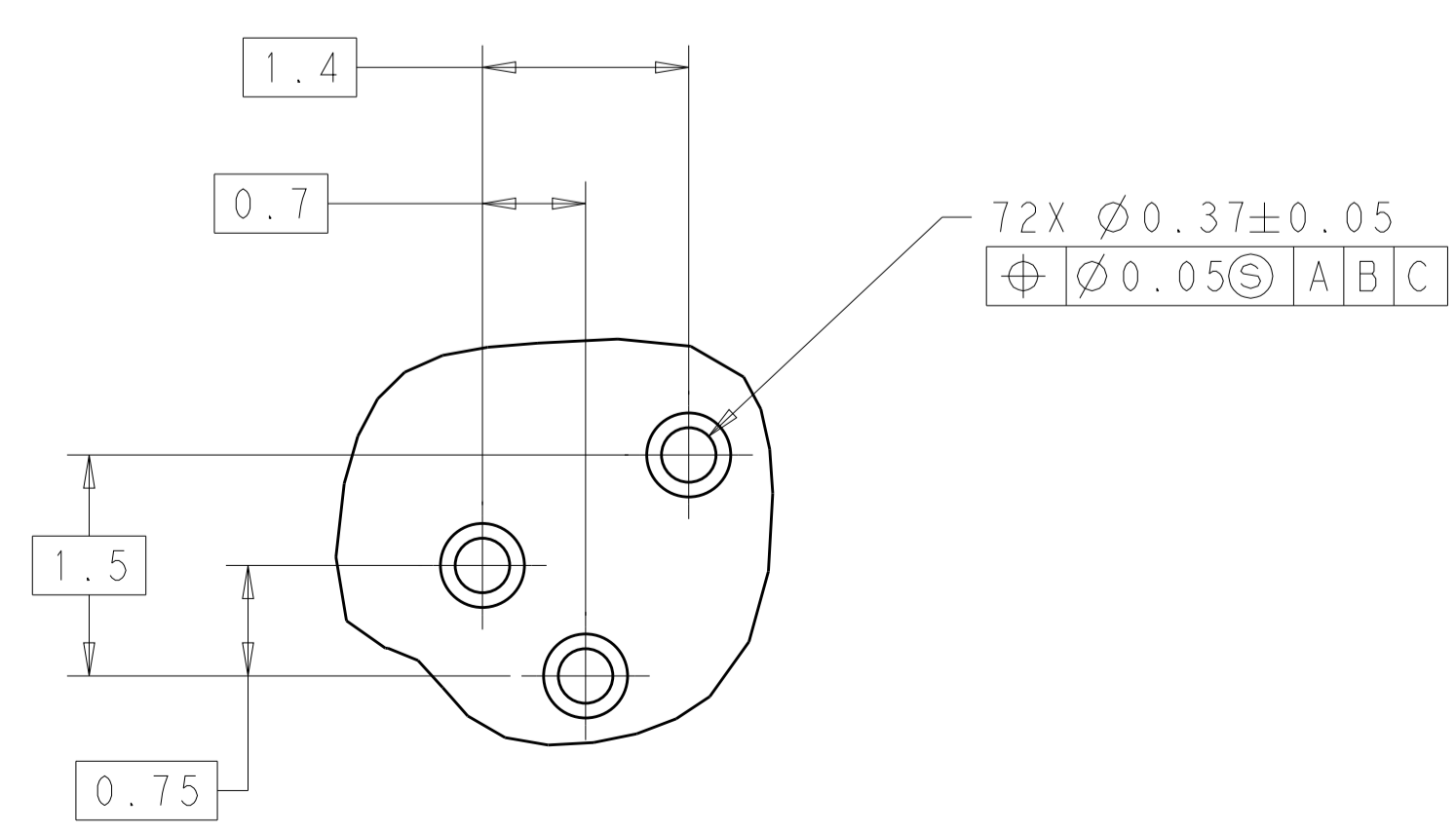
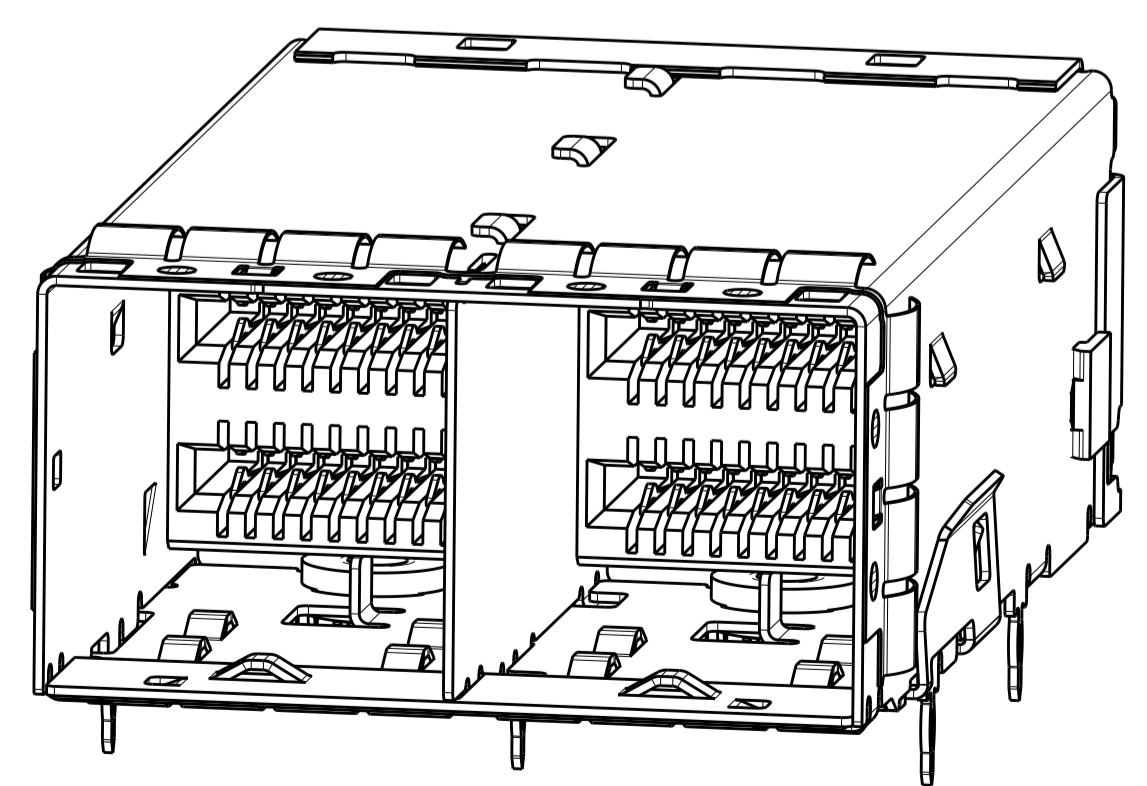
| LOC | DIST | REVISIONS   |      |     |      |
|-----|------|-------------|------|-----|------|
| P   | LTN  | DESCRIPTION | DATE | OWN | APVD |
| -   | -    | SEE SHEET 1 | -    | -   | -    |



PANEL/PCB ASSEMBLY  
SCALE=5:1



RECOMMENDED I/O PANEL CUTOUT  
SCALE=5:1



DETAIL X  
SCALE 20:1

|  |   |                             |  |       |   |       |   |       |   |       |   |        |   |                        |          |
|--|---|-----------------------------|--|-------|---|-------|---|-------|---|-------|---|--------|---|------------------------|----------|
| THIS DRAWING IS A CONTROLLED DOCUMENT.   |   | OWN: B. MATTHEWS 18FEB2014  | TE Connectivity                            |       |   |       |   |       |   |       |   |        |   |                        |          |
| DIMENSIONS: mm   |   | CHK: D. GORENC 18FEB2014    |  |       |   |       |   |       |   |       |   |        |   |                        |          |
| TOLERANCES UNLESS OTHERWISE SPECIFIED:   |   | APVD: D. GORENC 18FEB2014   | NAME: RECEPTACLE ASSEMBLY, MINI-SAS HD, 2X |       |   |       |   |       |   |       |   |        |   |                        |          |
| <table border="1"> <tr><td>0 PLC</td><td>±</td></tr> <tr><td>1 PLC</td><td>±</td></tr> <tr><td>2 PLC</td><td>±</td></tr> <tr><td>3 PLC</td><td>±</td></tr> <tr><td>4 PLC</td><td>±</td></tr> <tr><td>ANGLES</td><td>±</td></tr> </table> |   | 0 PLC                       | ±  | 1 PLC | ± | 2 PLC | ± | 3 PLC | ± | 4 PLC | ± | ANGLES | ± | PRODUCT SPEC: 108-2462 | SIZE: A1 |
| 0 PLC  | ± |                             |  |       |   |       |   |       |   |       |   |        |   |                        |          |
| 1 PLC  | ± |                             |  |       |   |       |   |       |   |       |   |        |   |                        |          |
| 2 PLC  | ± |                             |  |       |   |       |   |       |   |       |   |        |   |                        |          |
| 3 PLC  | ± |                             |  |       |   |       |   |       |   |       |   |        |   |                        |          |
| 4 PLC  | ± |                             |  |       |   |       |   |       |   |       |   |        |   |                        |          |
| ANGLES   | ± |                             |  |       |   |       |   |       |   |       |   |        |   |                        |          |
| MATERIAL: FINISH:  |   | APPLICATION SPEC: 114-13316 | CAGE CODE: 2274682                         |       |   |       |   |       |   |       |   |        |   |                        |          |
|  |   | WEIGHT: Customer Drawing    | RESTRICTED TO: REV B                       |       |   |       |   |       |   |       |   |        |   |                        |          |
|  |   | SCALE: 8:1                  | SHEET 2 OF 2                               |       |   |       |   |       |   |       |   |        |   |                        |          |