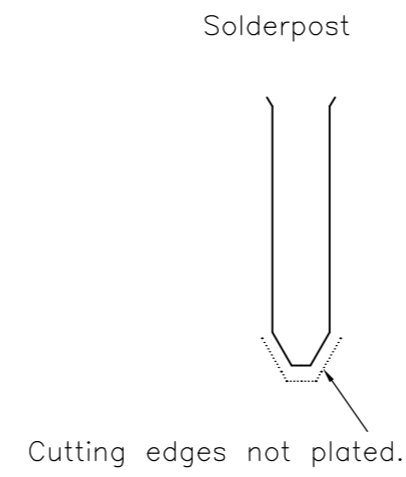
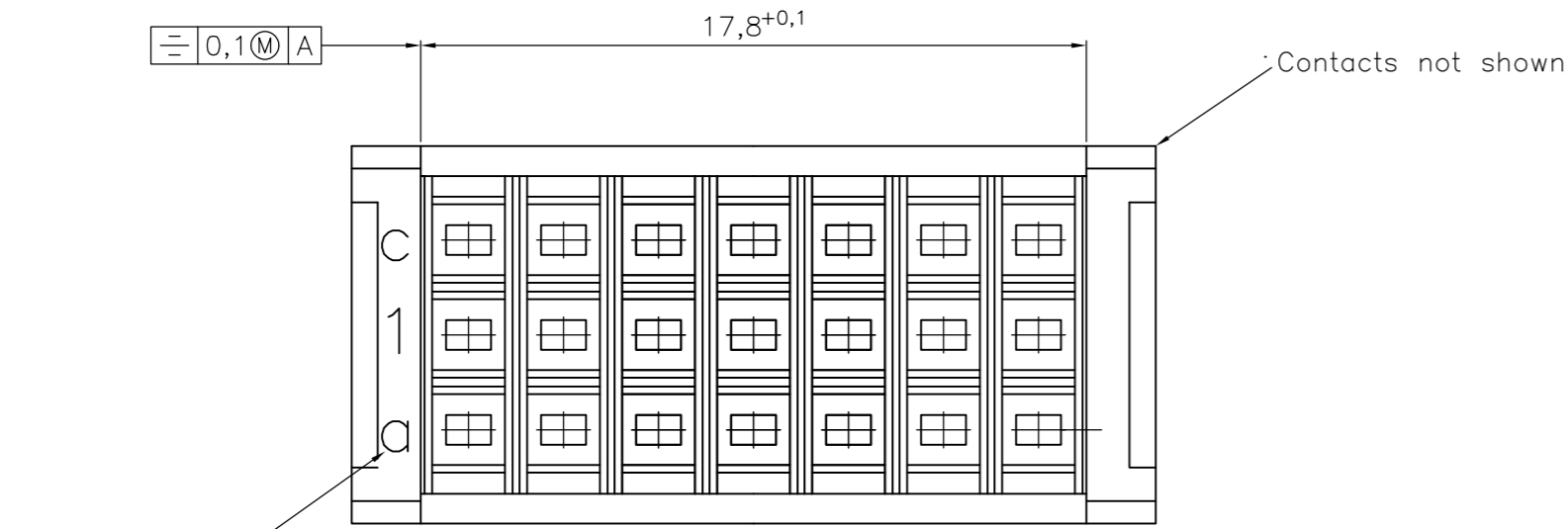


THIS DRAWING IS UNPUBLISHED. RELEASED FOR PUBLICATION
 © COPYRIGHT BY TYCO ELECTRONICS CORPORATION. ALL INTERNATIONAL RIGHTS RESERVED.

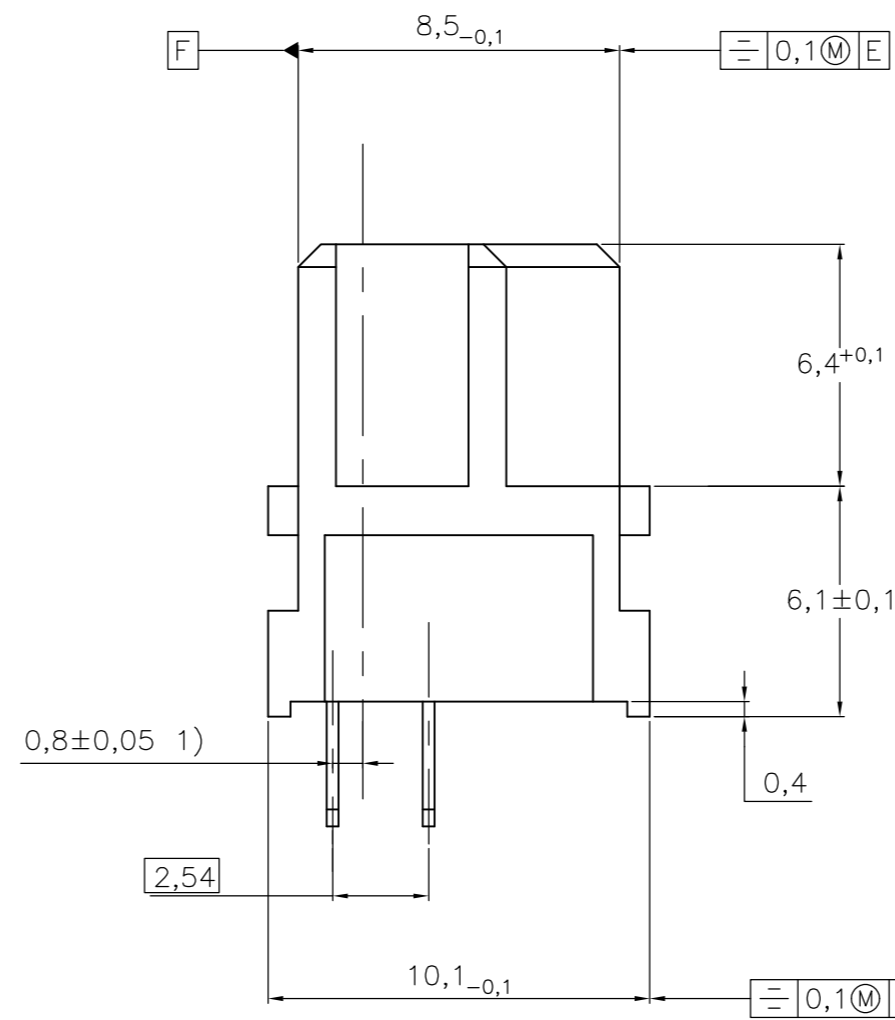
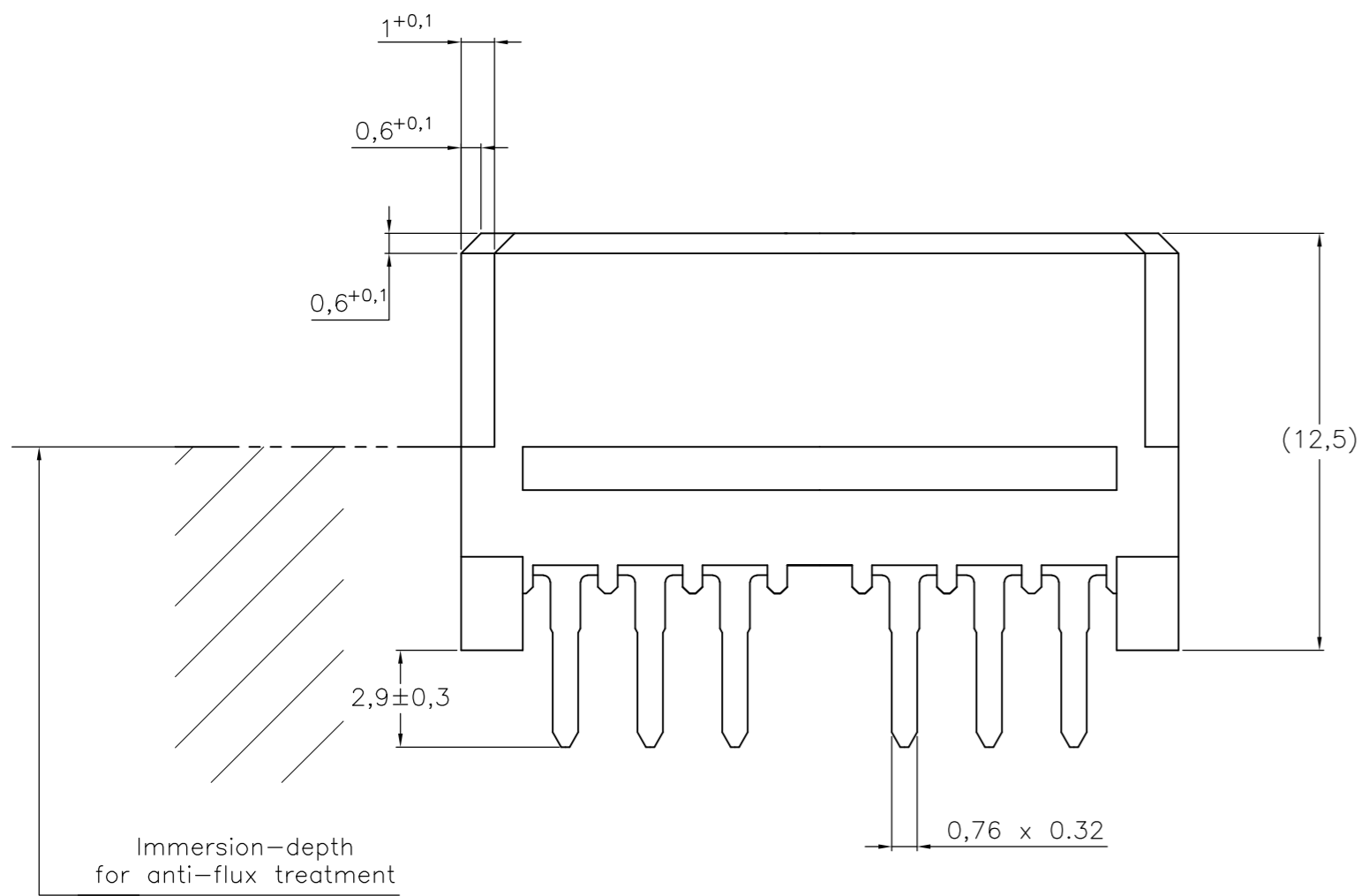
LOC	DIST	REVISIONS			
P	LTR	DESCRIPTION	DATE	DWN	APVD
	A	WO 00/7012	20-07-09	-	VS
	B	SR10-0250-02	24-05-02	-	BC
	B1	ECR-09-015706	24-11-09	AEG	MKO



Loading Pattern (8 contacts)

	1	2	3	4	5	6	7
Row a	+	o	+	o	+	o	+
Row b	o	+	+	o	+	+	o
Row c	o	o	o	o	o	o	o

+ = contact
o = no contact

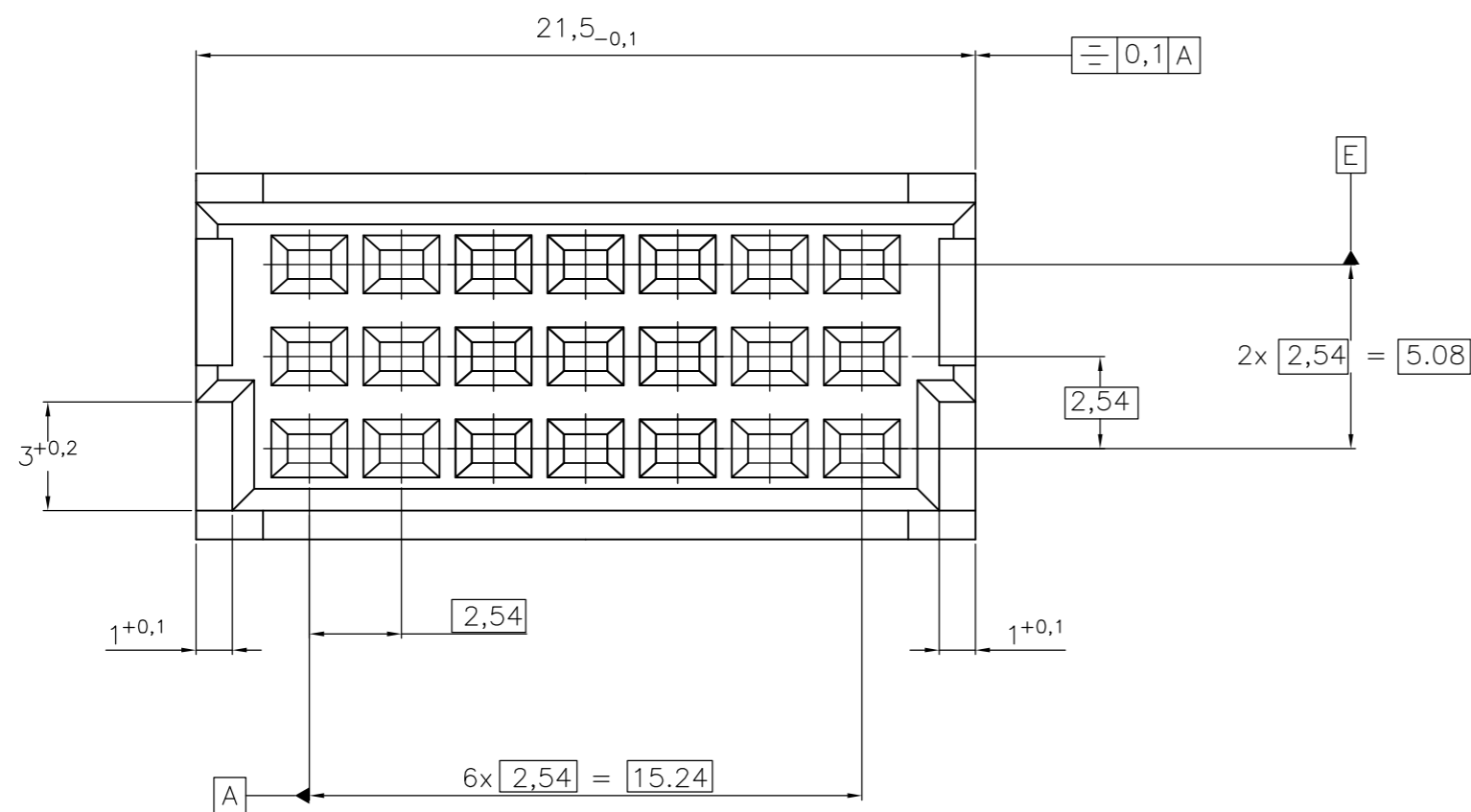


Specifications acc. IEC 603-2. Performance Level 2

Housing : PBTP 30% Glasfilled (UL94-V0)
Pebblegrey similar RAL 7032

Contact material : Copper Alloy

Plating : Contact area : PdNi+Au or Au
Termination area : Sn with flux-tight coating.



1) Center-displacement between termination- and contact-side.

Active Partnumber. Contact Tyco Electronics for other configuration availability

Old Partnumber	TE Part number
V42254-F2299-R5	1393657-3

THIS DRAWING IS A CONTROLLED DOCUMENT.		DWN Cuvelier	10JUN98	Tyco Electronics Corporation 's-Hertogenbosch, Nederland	
DIMENSIONS: mm		CHK -	-	NAME Receptacle Ass'y, Type R, 21 pos.	
TOLERANCES UNLESS OTHERWISE SPECIFIED:		APVD PD COM	-	PRODUCT SPEC -	
0 PLC ± -		APPLICATION SPEC -	-	V42254-F2299-R5-* -26	
1 PLC ± -		WEIGHT -	-	SIZE A2	CAGE CODE 00779
2 PLC ± -		SCALE 5:1;10:1	-	DRAWING NO C=1393657-3	RESTRICTED TO -
3 PLC ± -		SHEET 1 of 1	-	REV B1	-
4 PLC ± -		CUSTOMER DRAWING	-	-	-
ANGLES ± -		-	-	-	-
FINISH -		-	-	-	-