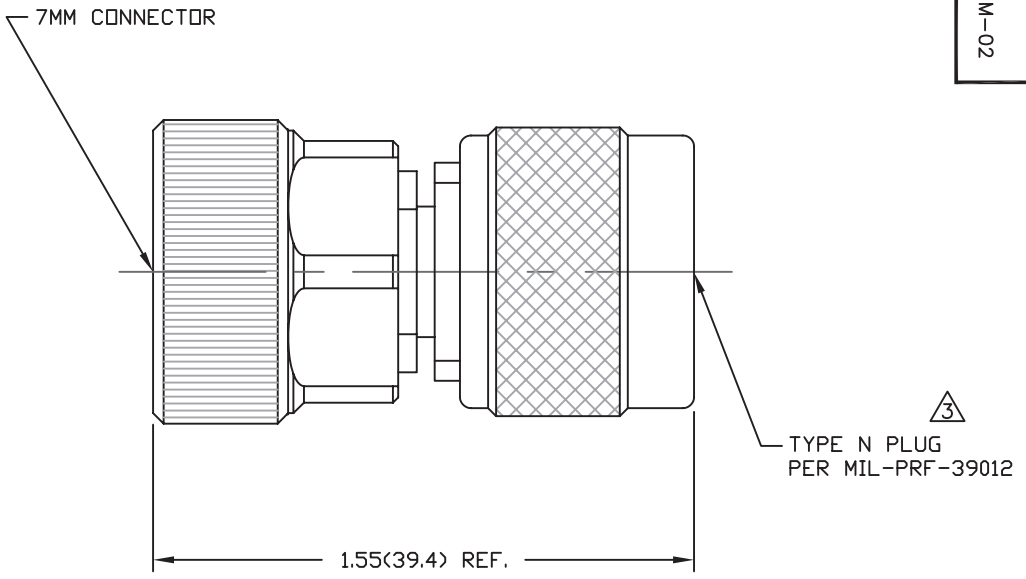


MODEL NUMBER
ADT-2544-7M-NNM-02

NOTES:

- 1.0 MATERIALS:
 - 1.1 HOUSING & COUPLING NUTS: STAINLESS STEEL PER ASTM-A582, TYPE 303.
 - 1.2 CENTER CONTACT: BERYLLIUM COPPER ROD ALLOY C172, PER ASTM-B196.
- 2.0 PLATING:
 - 2.1 HOUSING & TYPE N NUT: PASSEVATED PER QQ-P-35 AND MIL-F-14072.
 - 2.2 CENTER CONTACT: GOLD PER MIL-G-45204 TYPE II, CLASS 2
 - 2.3 7MM NUT: ELECTROPOLISH (BRIGHT POLISH).
- 3.0 MECHANICAL:
 - 3.1 INTERFACE PER MIL-STD-348 FIG. 402-1.
 - 3.2 CAPTURED CENTER CONTACT
- 4.0 ELECTRICAL SPECIFICATIONS:
 - 4.1 FREQUENCY RANGE: DC to 18.0 GHz.
 - 4.2 VSWR (MAX.): 1.025 + 0.0025f(GHz).
- 5.0 DIMENSIONS IN PARENTHESIS ARE IN MILLIMETERS.



REV.	DESCRIPTION	DATE
1	RELEASED	4/14/92
A	ECN 14026	10/17/94
A1	ADDED TITLEBLOCK	3/8/05

<p>NOTICE: The information contained in this drawing is proprietary and must not be used without the permission of Cinch Connectivity Solutions.</p> <p>UNLESS OTHERWISE NOTED DIMENSIONS ARE IN INCHES AND TOLERANCES ARE: 3 PLACE DECIMALS ±.005 2 PLACE DECIMALS ±.02 FRACTIONS ±1/64 PARALLELITY: T.I.R. _____ FLATNESS: T.I.R. _____ CONCENTRICITY: T.I.R. _____ ANGLES AND PERPENDICULARITY: ±1°</p>	<p>CAGE CODE 34078</p>	<p>MIDWEST MICROWAVE</p>	
	<p>cinch CONNECTIVITY SOLUTIONS a bel group</p>		<p>TITLE ADAPTER OUTLINE DRAWING</p>
<p>DRAWN/DATE D.SIEWERT 10/15/91</p>	<p>ENG./DATE A.OSGA 4/14/92</p>	<p>DRAWING NUMBER ADT-2544-7M-NNM-02-01</p>	<p>REV. A1</p>
<p>CHECKED/DATE A.OSGA 10/16/91</p>	<p>APPROVED/DATE</p>	<p>SCALE: 5=1</p>	<p>SHEET 1 of 1</p>