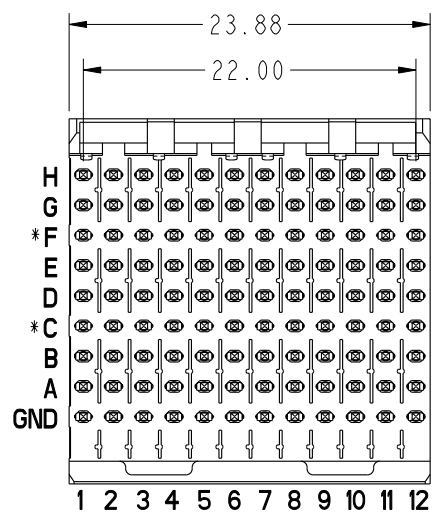
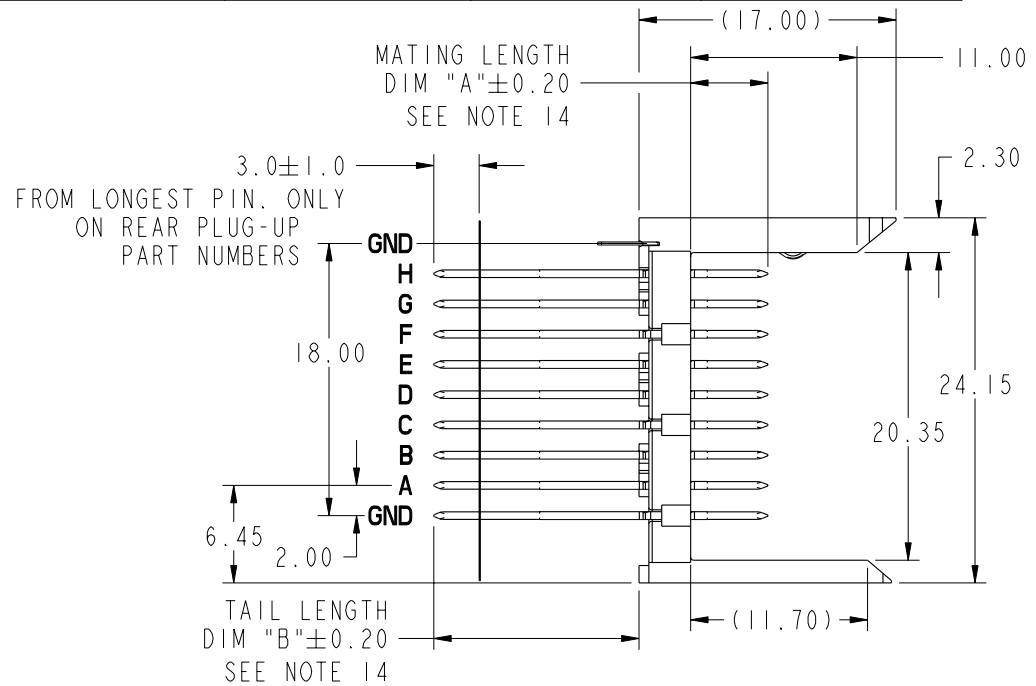
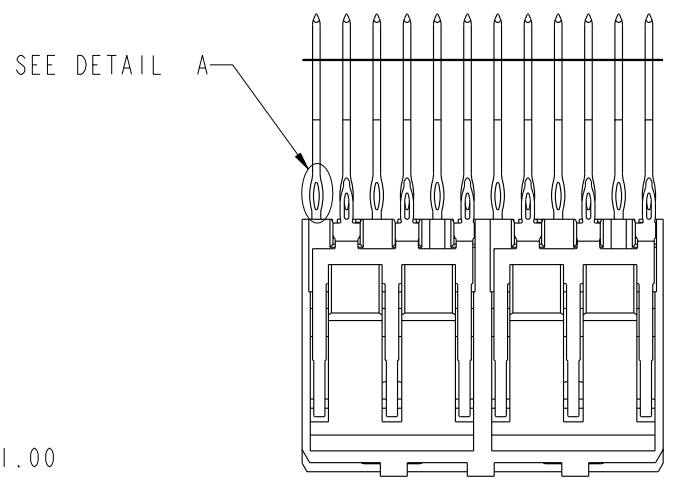


This document is the property of and embodies
 CONFIDENTIAL and PROPRIETARY information of FCI.
 No part of the information shown on this
 document may be used in any way or disclosed
 to others without the written consent of FCI.
 Copyright FCI.



PRODUCT NUMBER	PLATING PERFORMANCE LEVEL	PRESS FIT PIN TO PCB	FOR REAR PLUG-UP APPLICATIONS USE SHROUD
74983-102ZZZ	TELCORDIA CO	STANDARD	74993-102
74983-102ZZZLF		LEAD FREE	74993-102
74983-302ZZZ	CUSTOMER SPECIAL	STANDARD	74993-302
74983-302ZZZLF		LEAD FREE	74993-302LF
74983-502ZZZ	TELCORDIA UE	STANDARD	74993-502
74983-502ZZZLF		LEAD FREE	74993-502LF
74983-A02ZZZ	CUSTOMER SPECIAL	STANDARD	74993-102
74983-A02ZZZLF		LEAD FREE	74993-102LF



DETAIL A
 SCALE 4:1
 SEE NOTE 16

mat'l code SEE NOTE 5				tolerances unless otherwise specified			CUSTOMER		FCI www.fciconnect.com	
ltr	ecn no.	dr	date	linear	0.X ± 0.3	COPY		title		
W	V06-0544	DCH	2006-06-12		0.XX ± 0.13	projection		VERTICAL SIGNAL HDR 8 ROW		
X	V07-0175	DCH	2007-04-16		.XXX ± .051	MM		P.F. 96 POS. SPECIAL LOAD EXT.		
Y	V08-0024	HTB	2008-01-16	angles	0° ± 2°	scale		product family		code
AA	V08-0130	LP	2008-03-25	dr	E. KROPER. 2001-01-15	1:1		METRAL 1000		213
-	-	-	-	engr	J. VOLSTORF 2001-01-15			size		sheet
U	V05-0192	DAI	2005-04-15	chr	J. VOLSTORF 2001-01-15			dwg no		1 of 7
V	V05-0735	TAB	2005-08-05	appd	J. VOLSTORF 2001-01-15			A 74983		
sheet index	revision sheet	AA 1	AA 2	AA 3	AA 4	AA 5	AA 6	AA 7	cage code 22526	

PIN NO.	DIM A MATING LENGTH	DIM B TAIL LENGTH	PCB THICKNESS RANGE ACCOMMODATED BY PIN'S TAIL LENGTH				
			WHEN MATING TO A 84854 SERIES METRAL 1000 RECEPTACLES		WHEN MATING TO A 52066 SERIES METRAL 4000 RECEPTACLE		
			ROWS A,B,C, D,E,F,G & H	GROUND ROW	ROWS:A,B,D,E,G & H	ROW C & F	GROUND ROW
01*	5.00	4.30	1.60 MIN	1.60 MIN	1.60 MIN	1.60 MIN	1.60 MIN
22		12.20	2.95 - 3.80	2.95 - 4.20	2.95 - 3.80	2.95 - 3.80	2.95 - 4.20
30		12.95	2.95 - 4.55	3.25 - 4.95	2.95 - 4.55	2.95 - 4.55	3.25 - 4.95
05		13.70	2.95 - 5.30	4.00 - 5.70	3.30 - 5.30	2.95 - 5.30	4.00 - 5.70
35		14.45	3.05 - 6.05	4.75 - 6.45	4.05 - 6.05	3.05 - 6.05	4.75 - 6.45
48		15.20	3.80 - 6.80	5.50 - 7.20	4.80 - 6.80	3.80 - 6.80	5.50 - 7.20
40		15.70	4.30 - 7.30	6.00 - 7.70	5.30 - 7.30	4.30 - 7.30	6.00 - 7.70
65		16.40	5.00 - 8.00	6.70 - 8.40	6.00 - 8.00	5.00 - 8.00	6.70 - 8.40
09		17.10	5.70 - 8.70	7.40 - 9.10	6.70 - 8.70	5.70 - 8.70	7.40 - 9.10
02*	5.75	4.30	1.60 MIN	1.60 MIN	1.60 MIN	1.60 MIN	1.60 MIN
44		12.20	2.95 - 3.80	2.95 - 4.20	2.95 - 3.80	2.95 - 3.80	2.95 - 4.20
31		12.95	2.95 - 4.55	3.25 - 4.95	2.95 - 4.55	2.95 - 4.55	3.25 - 4.95
06		13.70	2.95 - 5.30	4.00 - 5.70	3.30 - 5.30	2.95 - 5.30	4.00 - 5.70
36		14.45	3.05 - 6.05	4.75 - 6.45	4.05 - 6.05	3.05 - 6.05	4.75 - 6.45
49		15.20	3.80 - 6.80	5.50 - 7.20	4.80 - 6.80	3.80 - 6.80	5.50 - 7.20
25		15.70	4.30 - 7.30	6.00 - 7.70	5.30 - 7.30	4.30 - 7.30	6.00 - 7.70
66		16.40	5.00 - 8.00	6.70 - 8.40	6.00 - 8.00	5.00 - 8.00	6.70 - 8.40
10		17.10	5.70 - 8.70	7.40 - 9.10	6.70 - 8.70	5.70 - 8.70	7.40 - 9.10
03*	6.50	4.30	1.60 MIN	1.60 MIN	1.60 MIN	1.60 MIN	1.60 MIN
45		12.20	2.95 - 3.80	2.95 - 4.20	2.95 - 3.80	2.95 - 3.80	2.95 - 4.20
32		12.95	2.95 - 4.55	3.25 - 4.95	2.95 - 4.55	2.95 - 4.55	3.25 - 4.95
07		13.70	2.95 - 5.30	4.00 - 5.70	3.30 - 5.30	2.95 - 5.30	4.00 - 5.70
37		14.45	3.05 - 6.05	4.75 - 6.45	4.05 - 6.05	3.05 - 6.05	4.75 - 6.45
50		15.20	3.80 - 6.80	5.50 - 7.20	4.80 - 6.80	3.80 - 6.80	5.50 - 7.20
41		15.70	4.30 - 7.30	6.00 - 7.70	5.30 - 7.30	4.30 - 7.30	6.00 - 7.70
24		16.40	5.00 - 8.00	6.70 - 8.40	6.00 - 8.00	5.00 - 8.00	6.70 - 8.40
11		17.10	5.70 - 8.70	7.40 - 9.10	6.70 - 8.70	5.70 - 8.70	7.40 - 9.10



This document is the property of and embodies CONFIDENTIAL and PROPRIETARY information of FCI. No part of the information shown on this document may be used in any way or disclosed to others without the written consent of FCI. Copyright FCI.

mat'l code SEE NOTE 5				tolerances unless otherwise specified		CUSTOMER	FCI www.fciconnect.com				
ltr	ecn no.	dr	date	linear	0.X ±0.3	COPY	title VERTICAL SIGNAL HDR 8 ROW				
AA				angles	0.XX ±0.13	projection	P.F. 96 POS. SPECIAL LOAD EXT.				
				dr	.XXX ±.051	 MM scale 1:1	product family	METRAL 1000	code	213	
				engr	0° ±2°		size	dwg no	74983	sheet	2
				chr			A				
				appd							
sheet index	revision sheet										

PIN NO.	DIM A MATING LENGTH	DIM B TAIL LENGTH	PCB THICKNESS RANGE ACCOMMODATED BY PIN LENGTH				
			WHEN MATING TO A 84854 SERIES METRAL 1000 RECEPTACLE		WHEN MATING TO A 52066 SERIES METRAL 4000 RECEPTACLE		
			ROWS A,B,C,D, E, F, G, & H	GROUND ROW	ROWS:A,B,D, E,G & H	ROW C & F	GROUND ROW
04*	7.25	4.30	1.60 MIN	1.60 MIN	1.60 MIN	1.60 MIN	1.60 MIN
46		12.20	2.95 - 3.80	2.95 - 4.20	2.95 - 3.80	2.95 - 3.80	2.95 - 4.20
33		12.95	2.95 - 4.55	3.25 - 4.95	2.95 - 4.55	2.95 - 4.55	3.25 - 4.95
08		13.70	2.95 - 5.30	4.00 - 5.70	3.30 - 5.30	2.95 - 5.30	4.00 - 5.70
38		14.45	3.05 - 6.05	4.75 - 6.45	4.05 - 6.05	3.05 - 6.05	4.75 - 6.45
51		15.20	3.80 - 6.80	5.50 - 7.20	4.80 - 6.80	3.80 - 6.80	5.50 - 7.20
42		15.70	4.30 - 7.30	6.00 - 7.70	5.30 - 7.30	4.30 - 7.30	6.00 - 7.70
67		16.40	5.00 - 8.00	6.70 - 8.40	6.00 - 8.00	5.00 - 8.00	6.70 - 8.40
12		17.10	5.70 - 8.70	7.40 - 9.10	6.70 - 8.70	5.70 - 8.70	7.40 - 9.10
19*		8.00	4.30	1.60 MIN	1.60 MIN	1.60 MIN	1.60 MIN
47	12.20		2.95 - 3.80	2.95 - 4.20	2.95 - 3.80	2.95 - 3.80	2.95 - 4.20
34	12.95		2.95 - 4.55	3.25 - 4.95	2.95 - 4.55	2.95 - 4.55	3.25 - 4.95
20	13.70		2.95 - 5.30	4.00 - 5.70	3.30 - 5.30	2.95 - 5.30	4.00 - 5.70
39	14.45		3.05 - 6.05	4.75 - 6.45	4.05 - 6.05	3.05 - 6.05	4.75 - 6.45
52	15.20		3.80 - 6.80	5.50 - 7.20	4.80 - 6.80	3.80 - 6.80	5.50 - 7.20
43	15.70		4.30 - 7.30	6.00 - 7.70	5.30 - 7.30	4.30 - 7.30	6.00 - 7.70
68	16.40		5.00 - 8.00	6.70 - 8.40	6.00 - 8.00	5.00 - 8.00	6.70 - 8.40
21	17.10		5.70 - 8.70	7.40 - 9.10	6.70 - 8.70	5.70 - 8.70	7.40 - 9.10

A

A



This document is the property of and embodies CONFIDENTIAL and PROPRIETARY information of FCI. No part of the information shown on this document may be used in any way or disclosed to others without the written consent of FCI. Copyright FCI.

B

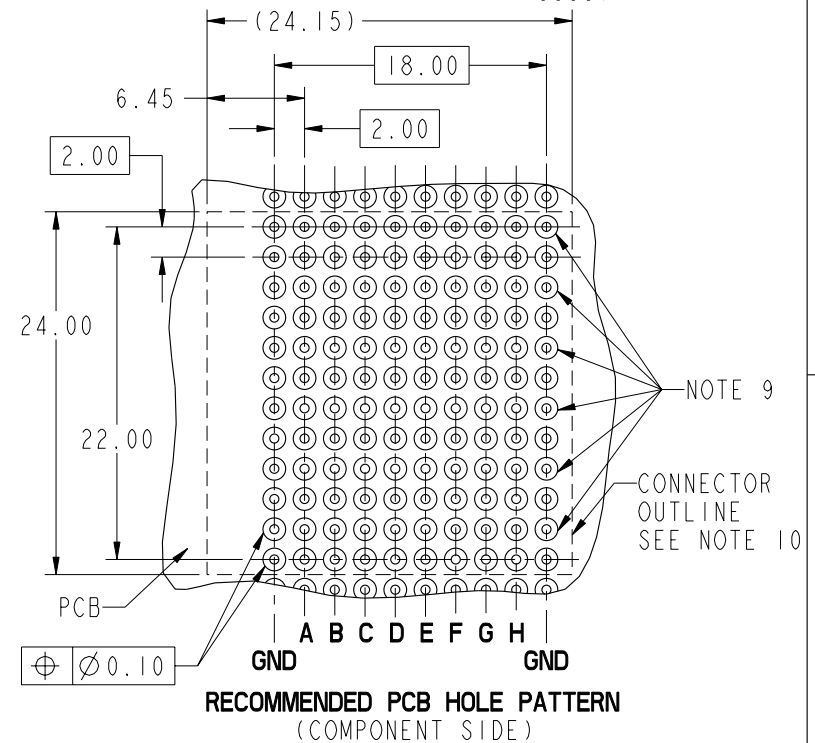
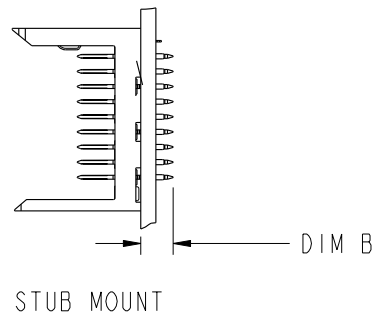
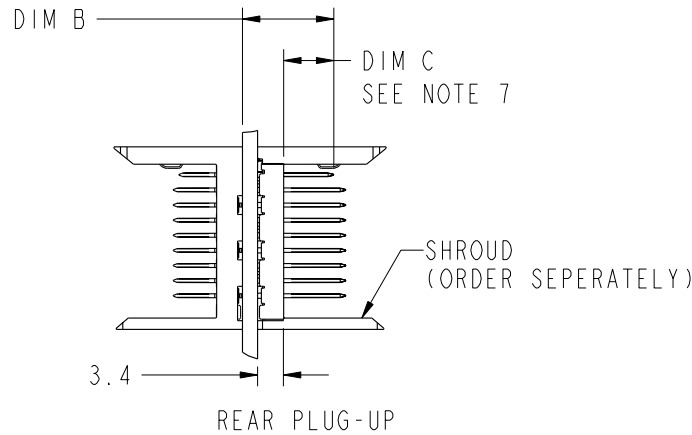
B

mat'l code		SEE NOTE 5		tolerances unless otherwise specified		CUSTOMER		www.fciconnect.com	
ltr	ecn no.	dr	date	linear	0.X ±0.3		COPY		title VERTICAL SIGNAL HDR 8 ROW P.F. 96 POS. SPECIAL LOAD EXT.
AA					0.XX ±0.13		projection		
					.XXX ±.051				
				angles	0° ±2°				product family METRAL 1000 code size dwg no 213 A 74983 sheet 3
				dr	E. KROPER.	2001-01-15	MM		
				engr	J. VOLSTORF	2001-01-15			
				chr	J. VOLSTORF	2001-01-15	scale 1:1		cage code 22526 4
				appd	J. VOLSTORF	2001-01-15			
sheet index	revision sheet								

PRODUCT NUMBER
SEE SHEET 1

PRESS-FIT HOLES	OPTION 1
HOLE DIAMETER AFTER PLATING	Ø 0.65-0.80
PRESS-FIT HOLES	Ø 0.81-0.86 (Ø 0.85 DRILL)
COPPER PLATING	0.025 MIN
SnPb PLATING	0.005-0.015

FOR OTHER OPTIONS SEE DRAWING
58351



mat'l code SEE NOTE 5				tolerances unless otherwise specified		CUSTOMER	FCj www.fciconnect.com			
ltr	ecm no.	dr	date	linear	0.X ± 0.3	COPY	title			
AA				linear	0.XX ± 0.13	projection	VERTICAL SIGNAL HDR 8 ROW			
				angles	.XXX ± 0.051	0° ± 2°	P.F. 96 POS. SPECIAL LOAD EXT.			
				dr	E. KROPER. 2001-01-15	MM ←→	product family	METRAL 1000	code	
				engr	J. VOLSTORF 2001-01-15		size	dwg no	213	
				chr	J. VOLSTORF 2001-01-15		scale	A	74983	sheet
				appd	J. VOLSTORF 2001-01-15		1:1		4	
sheet index	revision sheet									

This document is the property of and embodies
CONFIDENTIAL and PROPRIETARY information of FCJ.
No part of the information shown on this
document may be used in any way or disclosed
to others without the written consent of FCJ.
Copyright FCJ.

SPECIAL LOAD PATTERNS		
PRODUCT #	ROW	PIN CODES
74983-X02001	H	01
	G	
	F	
	E	
	D	
	C	
	B	
	A	
74983-X02001LF SEE NOTE 15	GND	01
	H	
	G	
	F	
	E	
	D	
	C	
	B	
74983-X02004 *RPU	H	05
	G	
	F	
	E	
	D	
	C	
	B	
	A	
74983-X02004LF *RPU SEE NOTE 15	GND	05
	H	
	G	
	F	
	E	
	D	
	C	
	B	
74983-X02011	H	02
	G	
	F	
	E	
	D	
	C	
	B	
	A	
74983-X02011LF SEE NOTE 15	GND	01
	H	
	G	
	F	
	E	
	D	
	C	
	B	
74983-X02013 *RPU	H	06
	G	
	F	
	E	
	D	
	C	
	B	
	A	
74983-X02013LF *RPU SEE NOTE 15	GND	30
	H	
	G	
	F	
	E	
	D	
	C	
	B	
74983-X02050	H	02
	G	
	F	
	E	
	D	
	C	
	B	
	A	
74983-X02050LF SEE NOTE 15	GND	02
	H	
	G	
	F	
	E	
	D	
	C	
	B	
74983-X02054	H	02
	G	
	F	
	E	
	D	
	C	
	B	
	A	
74983-X02054LF SEE NOTE 15	GND	02
	H	
	G	
	F	
	E	
	D	
	C	
	B	

PCB THICKNESS
RANGE FOR REAR
PLUG UP
APPLICATIONS:
4.00 - 5.30

PCB THICKNESS
RANGE FOR REAR
PLUG UP
APPLICATIONS:
3.25 - 5.30

SPECIAL LOAD PATTERNS		
PRODUCT #	ROW	PIN CODES
74983-X02051	H	03
	G	
	F	
	E	
	D	
	C	
	B	
	A	
74983-X02051LF SEE NOTE 15	GND	02
	H	
	G	
	F	
	E	
	D	
	C	
	B	
74983-X02052	H	02
	G	
	F	
	E	
	D	
	C	
	B	
	A	
74983-X02052LF SEE NOTE 15	GND	02
	H	
	G	
	F	
	E	
	D	
	C	
	B	
74983-X02053 *RPU	H	06
	G	
	F	
	E	
	D	
	C	
	B	
	A	
74983-X02053LF *RPU SEE NOTE 15	GND	06
	H	
	G	
	F	
	E	
	D	
	C	
	B	
74983-X02054	H	02
	G	
	F	
	E	
	D	
	C	
	B	
	A	
74983-X02054LF SEE NOTE 15	GND	02
	H	
	G	
	F	
	E	
	D	
	C	
	B	

PCB THICKNESS
RANGE FOR REAR
PLUG UP
APPLICATIONS:
4.00 - 5.30



This document is the property of and embodies
 CONFIDENTIAL and PROPRIETARY information of FCI.
 No part of the information shown on this
 document may be used in any way or disclosed
 to others without the written consent of FCI.
 Copyright FCI.

mat'l code SEE NOTE 5				tolerances unless otherwise specified				CUSTOMER		www.fciconnect.com	
ltr	ecn no.	dr	date	linear	0.X ±0.3		COPY		title VERTICAL SIGNAL HDR 8 ROW P.F. 96 POS. SPECIAL LOAD EXT.		
AA					0.XX ±0.13		projection				
					.XXX ±.051						
				angles	0° ±2°				product family METRAL 1000 code size dwg no 213 A 74983 sheet 5		
				dr	E. KROPER.	2001-01-15	MM				
				engr	J. VOLSTORF	2001-01-15					
				chr	J. VOLSTORF	2001-01-15	scale 1:1		cage code 22526 4		
				appd	J. VOLSTORF	2001-01-15					
sheet index	revision sheet										

* REAR PLUG-UP PART NUMBERS

SPECIAL LOAD PATTERNS		
PRODUCT #	ROW	PIN CODES
74983-X02056 *RPU	H	22
	G	
	F	
	E	
	D	
	C	
	B	
	A	
74983-X02056LF *RPU SEE NOTE 15	GND	22
	H	
	G	
	F	
	E	
	D	
	C	
	B	
74983-X02057	A	02
	GND	
	H	
	G	
	F	
	E	
	D	
	C	
74983-X02057LF SEE NOTE 15	B	02
	A	
	GND	
	H	
	G	
	F	
	E	
	D	
74983-X02058 *RPU	C	06
	B	
	A	
	GND	
	H	
	G	
	F	
	E	
74983-X02058LF *RPU SEE NOTE 15	D	06
	C	
	B	
	A	
	GND	
	H	
	G	
	F	
74983-X02059 **	E	03
	F	19
	D	04
	C	19
	B	04
	A	04
	GND	02
	H	03
74983-X02059LF ** SEE NOTE 15	G	03
	F	11
	E	41
	D	24
	C	41
	B	24
	A	24
	GND	49

PCB THICKNESS
RANGE FOR REAR
PLUG UP
APPLICATIONS:
2.95 - 3.80

PCB THICKNESS
RANGE FOR REAR
PLUG UP
APPLICATIONS:
4.00 - 5.30

PCB THK
RANGE FOR
REAR PLUG UP
APPLICATIONS:
*2.30 - 6.70

* REAR PLUG-UP PART NUMBERS
** CANNOT BE MATED TO A
METRAL 4000 RECEPTACLE

SPECIAL LOAD PATTERNS		
PRODUCT #	ROW	PIN CODES
74983-X02061 *RPU	H	35
	G	
	F	
	E	
	D	
	C	
	B	
	A	
74983-X02061LF *RPU SEE NOTE 15	GND	35
	H	
	G	
	F	
	E	
	D	
	C	
	B	
	A	05
	GND	

PCB THICKNESS
RANGE FOR REAR
PLUG UP
APPLICATIONS:
4.05 - 5.70



This document is the property of and embodies
 CONFIDENTIAL and PROPRIETARY information of FCI.
 No part of the information shown on this
 document may be used in any way or disclosed
 to others without the written consent of FCI.
 Copyright FCI.

mat'l code		SEE NOTE 5		tolerances unless otherwise specified		CUSTOMER		www.fciconnect.com	
ltr	ecn no.	dr	date	linear	0.X ±0.3	COPY		title	
AA				linear	0.XX ±0.13	projection		VERTICAL SIGNAL HDR 8 ROW	
				angles	.XXX ±.051			P.F. 96 POS. SPECIAL LOAD EXT.	
				dr	0° ±2°			product family METRAL 1000 code	
				engr	E. KROPER. 2001-01-15	scale		size	
				chr	J. VOLSTORF 2001-01-15	1:1		dwg no	
				appd	J. VOLSTORF 2001-01-15	A		74983	
sheet index	revision sheet								213
									6

PRODUCT NUMBER

SEE SHEET 1

NOTES:

- 1. SEE APPLICATION SPECIFICATION GS-20-010 FOR INFORMATION ON AVAILABLE TOOLING, CURCUIT BOARD DESIGN CONSIDERATIONS, REPAIR PROCEDURES AND PRODUCT OFFERINGS.
- 2. SEE FCI PUBLICATION 950511-028 FOR "ELECTRICAL PERFORMANCE DATA FOR DIFFERENTIAL APPLICATIONS."
- 3. SEE FCI PUBLICATION 950511-028 FOR "ELECTRICAL PERFORMANCE DATA FOR SINGLE-ENDED APPLICATION."
- 4. UNLESS OTHERWISE SPECIFIED, ALL DIMENSIONS AND TOLERANCES ARE IN ACCORDANCE WITH ASME Y14.5M, 1994
- 5. HOUSING MATERIAL: LIQUID CRYSTAL POLYMER, 30% GLASS FILLED, FLAME RETARDANT PER UL 94-V0.
PIN MATERIAL: PHOSPHER BRONZE
GROUND SPRING MATERIAL: PHOSPHER BRONZE
- 6. PLATING INFORMATION: PLATING ON CONTACT AREA MEETS THE PERFORMANCE LEVELS SHOWN IN TABLE ON SHEET 1.
PLATING ON "LF" TAILS IS Sn. PLATING ON ALL OTHERS IS SnPb.
- 7. DIMENSIONAL RESTRICTIONS OF PINS IN HEADERS.
FOR MATING WITH METRAL 1000 RECEPTACLES
DIM A : 5.00mm MIN, 8.00mm MAX FOR ROWS A-H
DIM A : 5.00mm MIN, 5.75mm MAX FOR ROW GND NEXT TO ROW A
DIM C : 5.00mm MIN, 8.00mm MAX FOR ROWS A-H
DIM C : 4.60mm MIN, 6.30mm MAX FOR ROW GND NEXT TO ROW A
FOR MATING WITH METRAL 4000 RECEPTACLES
DIM A : 5.00mm MIN, 6.50mm MAX FOR ROWS A, B, D, E, G & H
DIM A : 5.00mm MIN, 8.00mm MAX FOR ROW C & F
DIM A : 5.00mm MIN, 5.75mm MAX FOR ROW GND NEXT TO ROW A
DIM C : 5.00mm MIN, 7.00mm MAX FOR ROWS A, B, D, E, G & H
DIM C : 5.00mm MIN, 8.00mm MAX FOR ROW C & F
DIM C : 4.60mm MIN, 6.30mm MAX FOR ROW GND NEXT TO ROW A
- 8. THE MIN PCB THICKNESS FOR REAR PLUG-UP APPLICATIONS IS 2.9mm SINCE THE COMPLIANT SECTIONS OF THE GROUND SPRING IN THE HEADER DIRECTLY OPPOSE THE GROUND SPRING OF THE SHROUD. THE MIN PCB THICKNESS FROM FRONT PLUG-UP ONLY APPLICATIONS IS 1.6mm.

- 9. THESE HOLES ARE NEEDED FOR REAR PLUG-UP DESIGNS USING A SHROUD AND MAY BE OMITTED FOR FRONT PLUG-UP ONLY DESIGNS.
- 10. THE 'CONNECTOR OUTLINE' IS THE MIN OUTLINE REQUIRED. TO DETERMINE THE OUTLINE NECESSARY TO PERMIT THE VARIOUS TYPES OF REPAIR OPERATIONS, SEE APPLICATION SPECIFICATION GS-20-010.

- 11. CURRENT RATING : 1 AMP PER PIN
- 12. TEMPERATURE RANGE : -55°C TO +105°C

13. P/N 73983-X02ZZZLF



- 14. AFTER INSERTION INTO CIRCUIT BOARD WITH QUALIFIED TOOL.
- 15. THE PRODUCTS WHERE THE PART NUMBER ENDS IN LF MEET EUROPEAN UNION DIRECTIVES AND OTHER COUNTRY REGULATIONS AS DESCRIBED IN GS-22-008.

ALL PRODUCTS WILL WITHSTAND EXPOSURE TO 240°C FOR 60 SECONDS IN A CONVECTION, INFRA-RED OR VAPOR PHASE REFLOW OVEN.

- 16. PIN TYPE IS AT THE MANUFACTURERS OPTION AND CAN BE EITHER BABY-H OR EYE OF THE NEEDLE STYLE



This document is the property of and embodies CONFIDENTIAL and PROPRIETARY information of FCI. No part of the information shown on this document may be used in any way or disclosed to others without the written consent of FCI. Copyright FCI.

mat'l code SEE NOTE 5				tolerances unless otherwise specified		CUSTOMER		FCI www.fciconnect.com			
ltr	ecr no.	dr	date	linear	0.X ±0.3	COPY		projection	title VERTICAL SIGNAL HDR 8 ROW P.F. 96 POS. SPECIAL LOAD EXT.		
AA					0.XX ±0.13	MM					
					.XXX ±.051	MM					
				angles	0° ±2°	MM		product family METRAL 1000	code 213		
				dr	E. KROPER. 2001-01-15	MM				size 74983	sheet 7
				engr	J. VOLSTORF 2001-01-15	MM					
				chr	J. VOLSTORF 2001-01-15	MM					
				appd	J. VOLSTORF 2001-01-15	MM					
sheet index	revision sheet										