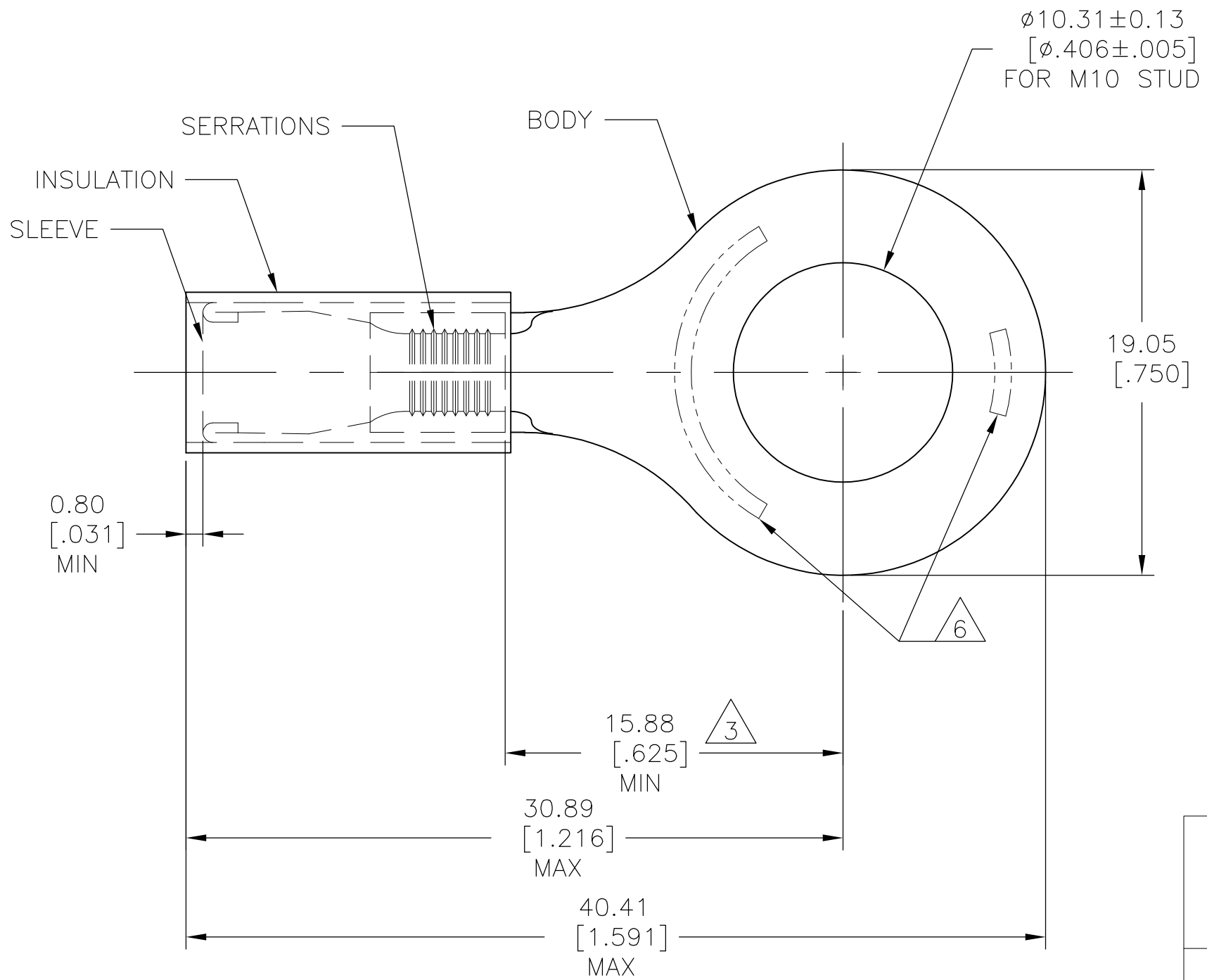


THIS DRAWING IS UNPUBLISHED. RELEASED FOR PUBLICATION  
 © COPYRIGHT - By - ALL RIGHTS RESERVED.

LOC	DIST	REVISIONS					
G	14	P	LTR	DESCRIPTION	DATE	DWN	APVD
			A2	REVISED PER ECO-12-009699	23MAY12	KH	DR

<b>AMP</b> WIRE RANGE	Listed	LR7189 Certified
12-10 AWG SOLID OR STRANDED	12-10 AWG SOLID OR STRANDED	12-10 AWG SOLID OR STRANDED



- 1 FOR 3.81-6.35 [.150-.250] WIRE INSULATION DIA.
- 2 TONGUE MATERIAL THK IS 0.99±0.05 [.039±.002]
- 3 DIMENSION BETWEEN EDGE OF METAL WIRE BBL AND CENTER OF STUD HOLE.
- 4 BODY: COPPER PER ASTM B-152  
SLEEVE: NYLON
- 5 BODY: TIN PL PER AST B-545  
SLEEVE: COLOR - YELLOW
- 6 STAMP AMP 12-10\*, 6-9 APPROX AS SHOWN.

LOOSE PIECE	500	BODY & SLEEVE: COPPER B-152 TIN PLATE PER ASTM B545 INSULATION: NYLON (MIL-M-20693) TYPE I, COLOR: YELLOW	160138
PACKAGE TYPE	QTY	MATERIAL & FINISH	PART NO

**AMP INCORPORATED**  
**CUSTOMER SERVICE SYSTEMS**

FOR ADDITIONAL PRODUCT INFORMATION OR COPIES OF DRAWINGS AND TECHNICAL DOCUMENTS  
 PRODUCT INFORMATION CENTER  
 1-800-522-6752

FOR APPLICATION TOOLING ASSISTANCE CENTER  
 TOOLING INFORMATION  
 1-800-722-1111

FOR ORDER ENTRY  
 1-800-526-5142

MAX RECOMMENDED OPERATING TEMPERATURE:  
 105° C [221° F]

VOLTAGE RATING:  
 300 V MAX

WIRE CROSS SECTIONAL AREA RANGE:  
 2.62-6.64mm<sup>2</sup> [5,180-13,000] CIR MILS

THIS DRAWING IS A CONTROLLED DOCUMENT FOR AMP INCORPORATED. IT IS SUBJECT TO CHANGE AND THE CONTROLLING ENGINEERING ORGANIZATION SHOULD BE CONTACTED FOR THE LATEST REVISION.

THIS DRAWING IS A CONTROLLED DOCUMENT.

DIMENSIONS:	TOLERANCES UNLESS OTHERWISE SPECIFIED:
mm [INCHES]	
	0 PLC ± -
	1 PLC ± -
	2 PLC ± -
	3 PLC ± .008
	4 PLC ± -
	ANGLES ± 5°

MATERIAL

FINISH

DWN	jr_ruth	10NOV06
CHK	T MICHELUTTI	10NOV06
APVD	T MICHELUTTI	10NOV06
PRODUCT SPEC	UL 486A	
APPLICATION SPEC	114-2157	
WEIGHT	-	

TE Connectivity			
WIRE TERMINAL P.I.D.G., RING TONGUE, WIRE SIZE: 12-10			
SIZE	CAGE CODE	DRAWING NO	RESTRICTED TO
A3	00779	C-160138	-
CUSTOMER DRAWING		SCALE 4:1	SHEET 1 OF 1 REV A2