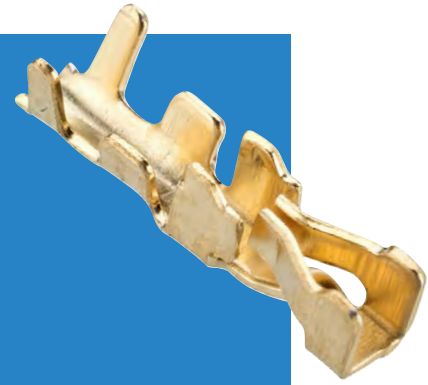


M22 Connectors

Female Crimp Contacts

- ❖ Loose or reeled contacts.
- ❖ Open crimp design, ideal for automation.
- ❖ Use with female crimp housings shown on previous page.
- ❖ Suitable for connection with male pin headers with a mating length of 4.00mm or longer.

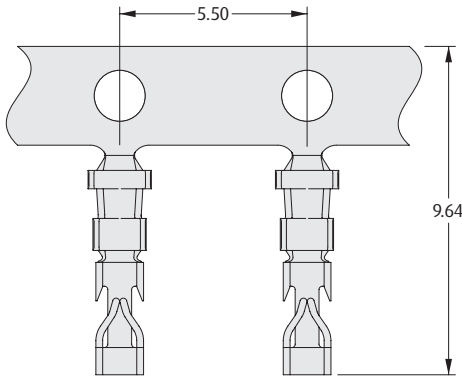


2mm (.079") PITCH

CONTACTS

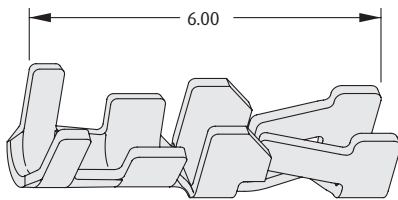
Reeled (continuous strip)

- ❖ Order code is for one reel of 10,000 contacts.



Loose (cropped)

- ❖ Order code is for one pack of 100 contacts.



HAND CRIMP TOOL

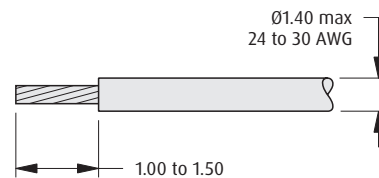
- ❖ Instruction sheet is available at www.harwin.com/instructions.
- ❖ For use with loose contacts.



ORDER CODE

Z22-020

WIRE STRIPPING DETAILS



HOW TO ORDER

M22 - 30 X 00 XX

SERIES CODE

TYPE

4	Reeled Contacts
5	Loose Contacts

FINISH

42	Gold
46	Tin

All dimensions in mm.