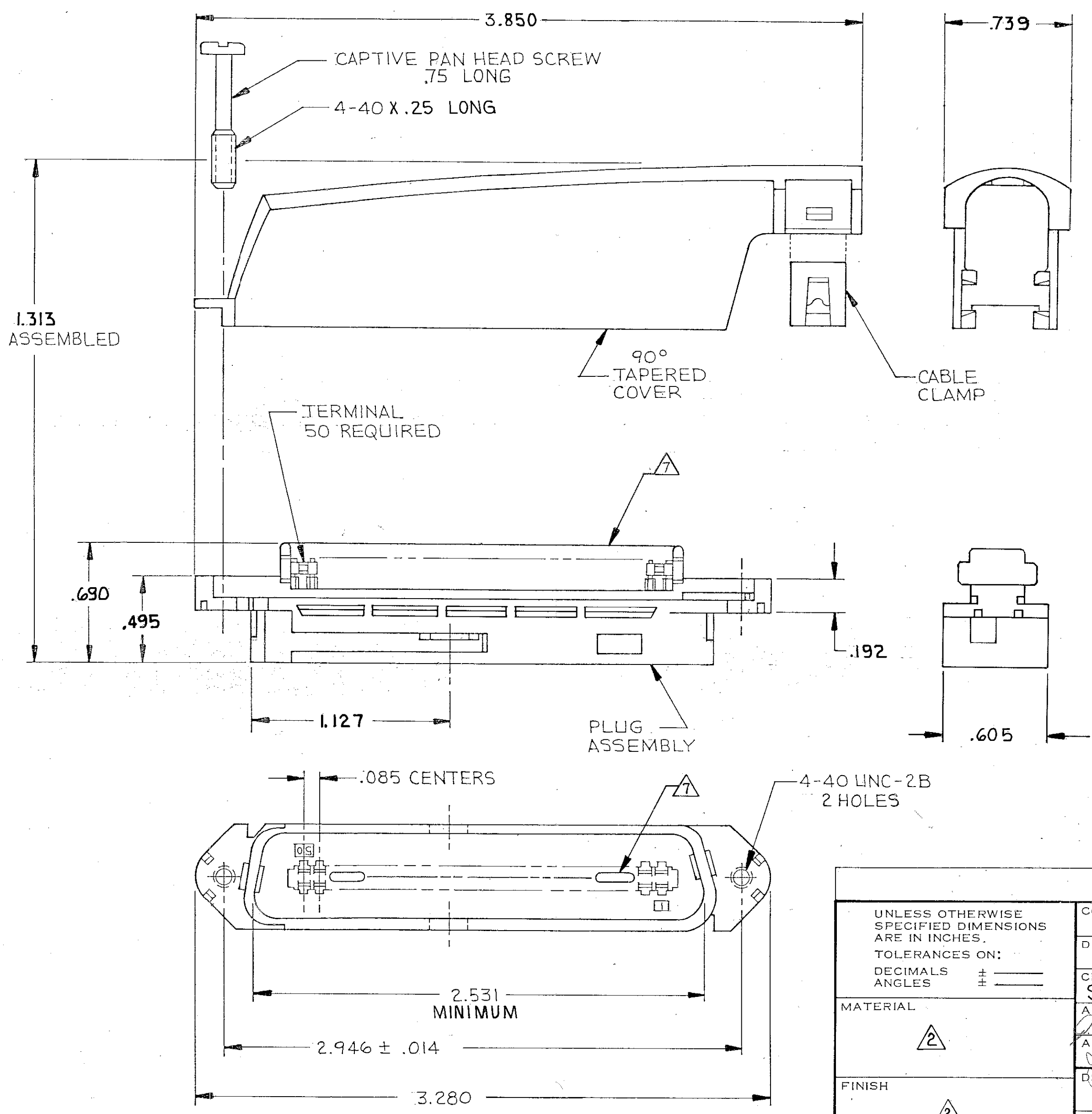


THIS DRAWING IS UNPUBLISHED. RELEASED FOR PUBLICATION, 19
 © COPYRIGHT 19 BY AMP INCORPORATED, HARRISBURG, PA. ALL INTERNATIONAL RIGHTS RESERVED. AMP PRODUCTS MAY BE COVERED BY U.S. AND FOREIGN PATENTS AND/OR PATENTS PENDING.

| REVISIONS | | | | | DATE | APPROVED |
|-----------|--|--|--|--|----------|----------|
| N | | | | | 11-30-89 | LHS TC |
| P | | | | | 3-19-01 | DD EB |



- THE CONTACT SURFACES OF THE TERMINALS ARE COATED WITH LUBRICANT.
- MATERIAL: HOUSING, COVER AND CABLE CLAMP - THERMOPLASTIC. TERMINALS - GOLD OVER NICKEL PLATED HIGH STRENGTH COPPER ALLOY. HARDWARE - ZINC PLATED STEEL.
- THIS KIT SHIPPED UNASSEMBLED.
- WIRE SIZE: 22 AWG SOLID OR 22 AWG, 7 STRANDS OF COPPER CONDUCTORS. MAXIMUM INSULATION DIAMETER OF .045 IS ACCEPTABLE FOR MOST APPLICATIONS.
- ALL DIMENSIONS SHOWN ARE MAXIMUM UNLESS OTHERWISE SPECIFIED.
- KIT SHIPPED IN POLY BAG FORM.
- CORING MAY OR MAY NOT APPEAR AND IS AT THE DISCRETION OF AMP INCORPORATED.

| | | |
|------|-------|----------|
| .550 | BLACK | 552382-1 |
| .500 | COLOR | PART NO |

| | | | |
|--|------------------------------------|---|-------------------------|
| UNLESS OTHERWISE SPECIFIED DIMENSIONS ARE IN INCHES. TOLERANCES ON: DECIMALS ± ANGLES ± | CONTRACT NO | AMP AMP INCORPORATED Harrisburg, Pa. 17105 | |
| | DR <i>J. Johnson 7-8-86</i> | NAME PLUG KIT, 50 POSITION, C SLOT, SCREW LOCK, TAPERED COVER, CHAMP-LOK | |
| MATERIAL ② | CHK <i>Stephen Doss 7-17-86</i> | SIZE C | FSCM NO 00779 |
| FINISH ② | APPD <i>D. Johnson 7-17-86</i> | DRAWING NO 552382 | SCALE 2:1 |
| | DSGN APPD | SHEET 1 OF 1 | |
| | OTHER APPD | CUSTOMER DRAWING | |

552382