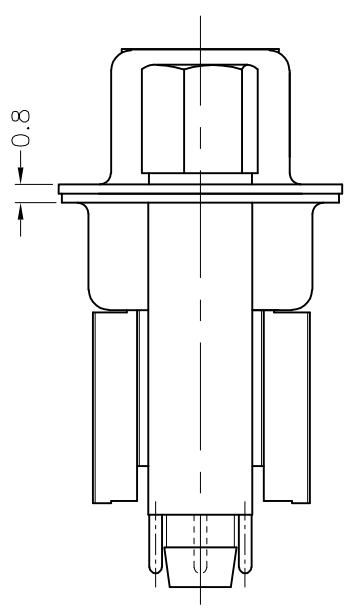
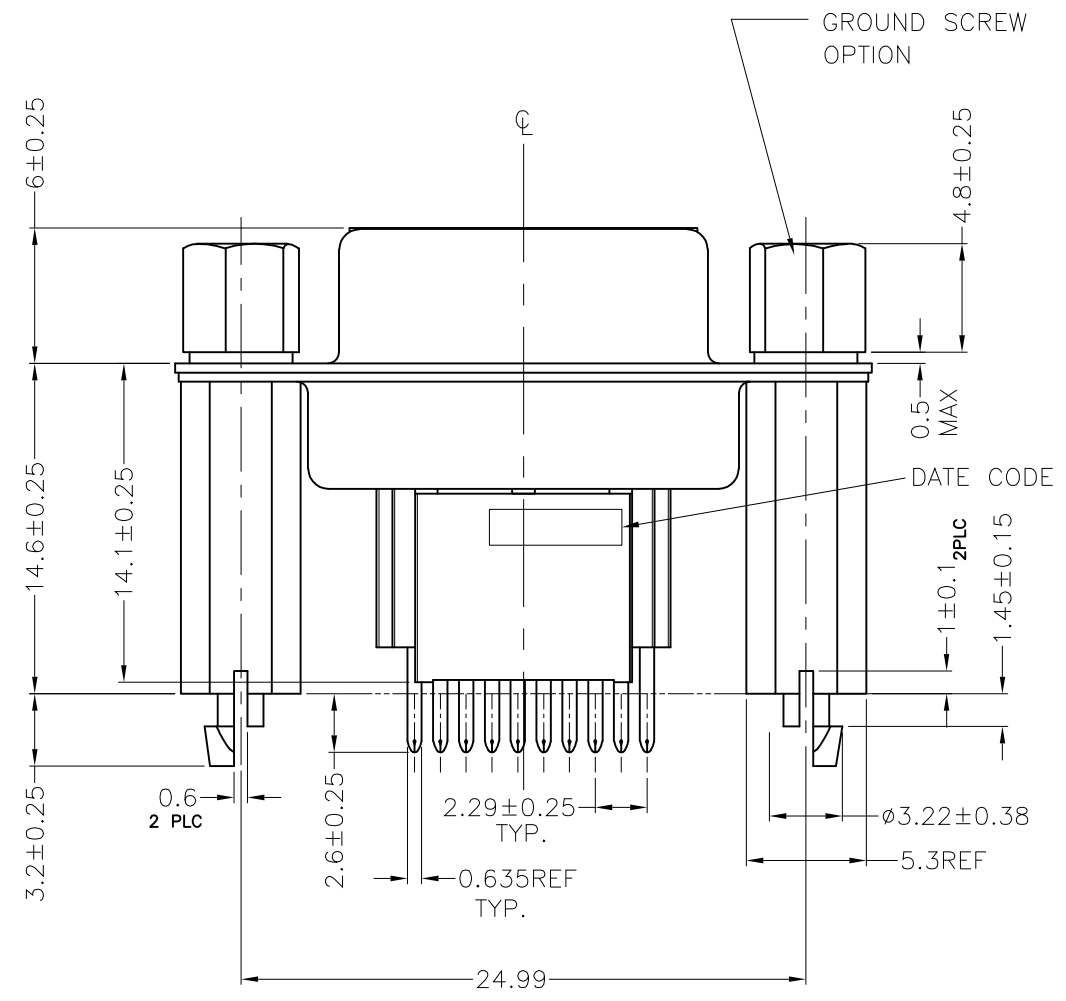
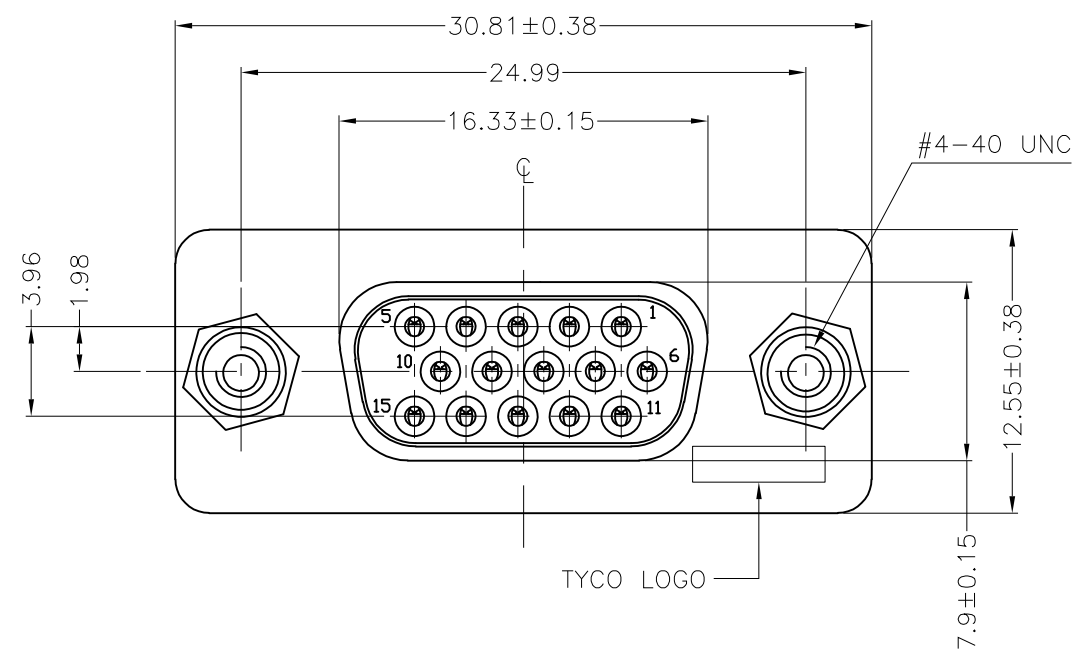


THIS DRAWING IS UNPUBLISHED. RELEASED FOR PUBLICATION
 © COPYRIGHT - By - ALL RIGHTS RESERVED.

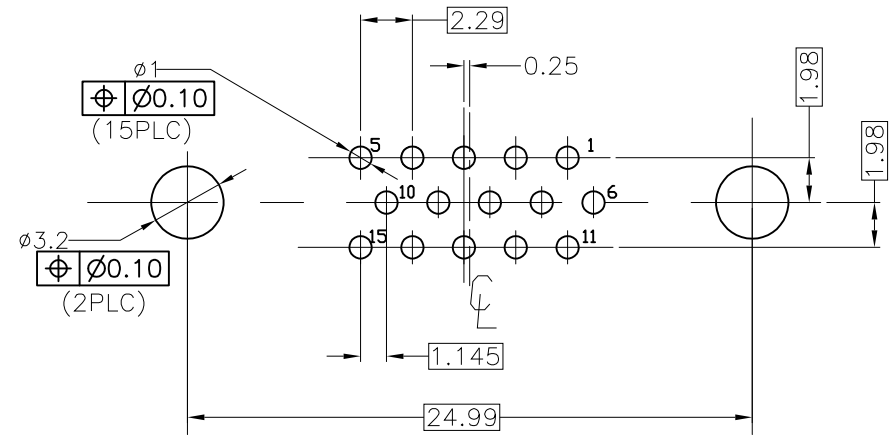
LOC	DIST	REVISIONS					
		P	LTR	DESCRIPTION	DATE	DWN	APVD
ES	00		D	REV PER ECR-13-019933	15JAN2014	B.L	J.L



OB SOLETE

NOTES:

- △ MATERIAL:
 - HOUSING: THERMOPLASTIC,UL94V-0,BLACK COLOR
 - CONTACT: COPPER ALLOY
 - BOARDLOCK:STEEL
 - GROUNDING SCREW :STEEL
 - FRONT SHELL : CARBON STEEL
 - REAR SHELL : CARBON STEEL
- △ FINISH:
 - CONTACT : GOLD FLASH ON CONTACT AREA.
 - TIN PLATING ON SOLERDTAILS.
 - NICKEL UNDERPLATING OVERALL.
 - SHELL : TIN PLATING.
 - BOARD LOCK : TIN PLATING.
 - GROUDING SCREW : NICKEL PLATING.
- 3. RECOMMENDED PCB THICKNESS : 1.6mm



RECOMMENDED P.C.B. LAYOUT
 PCB TOLERANCE:±0.05

-1 AS SHOWN

THIS DRAWING IS A CONTROLLED DOCUMENT.		DWN	30JUN06	TE Connectivity	
		Tony Zhang			
		CHK	30JUN06	CUSTOMER DRAWING RECEPTACLE VERTICAL 15P AMPLIMITE	
		Gavin Zhang			
		APVD	30JUN06	NAME CUSTOMER DRAWING RECEPTACLE VERTICAL 15P AMPLIMITE	
		Seteven Yao			
		PRODUCT SPEC		SIZE CAGE CODE DRAWING NO RESTRICTED TO	
		APPLICATION SPEC		A300779 C-292469	
		WEIGHT		SCALE SHEET REV	
CUSTOMER DRAWING				2:1	1 of 2
				D	

THIS DRAWING IS UNPUBLISHED. RELEASED FOR PUBLICATION - , - .
 © COPYRIGHT - By - ALL RIGHTS RESERVED.

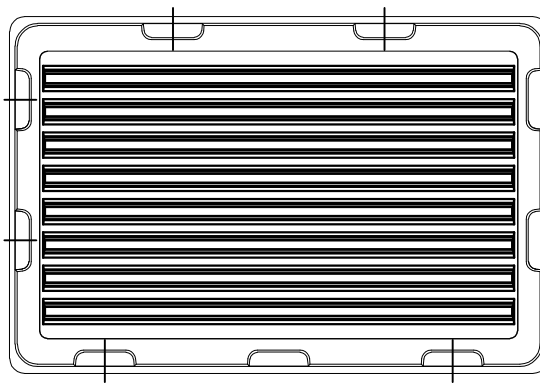
LOC	DIST	REVISIONS					
		P	LTR	DESCRIPTION	DATE	DWN	APVD
ES	00	-	-	SEE SHEET 1	-	-	-

NOTES:

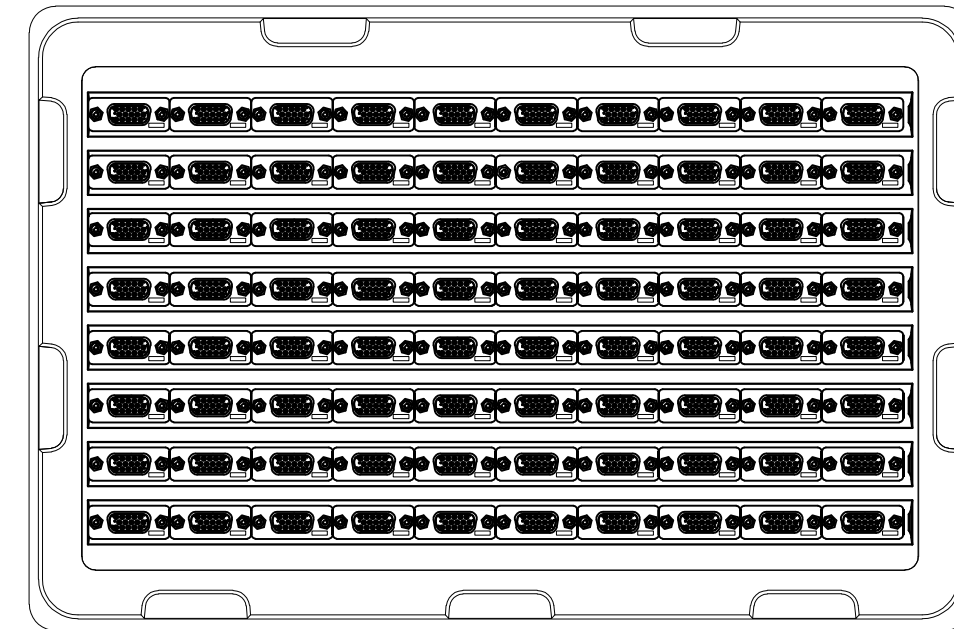
- 1 DIMENSION :
 TRAY : L=356, W=236, H=30
 SHIPPING BOX : L=370, W=250, H=225
- 2 QYANTITY :
 80 PCS/TRAY
 8 TRAYS/SHIPPING BOX(=640 PCS)
- 3 WEIGHT :
 N.W. : 7.2 KG/ SHIPPING BOX
 G.W. : 9.28 KG/ SHIPPING BOX




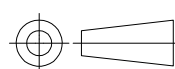


TOP COVER



TRAY



TRAY LAYOUT

THIS DRAWING IS A CONTROLLED DOCUMENT.		DWN Tony Zhang	30JUN06	 TE Connectivity CUSTOMER DRAWING RECEPTACLE VERTICAL 15P AMPLIMITE					
DIMENSIONS: mm		CHK Gavin Zhang	30JUN06				NAME		
		APVD Seteven Yao	30JUN06				PRODUCT SPEC		
TOLERANCES UNLESS OTHERWISE SPECIFIED:		APPLICATION SPEC		SIZE					
0 PLC ± 0.5 1 PLC ± 0.3 2 PLC ± 0.2 3 PLC ± - 4 PLC ± - ANGLES ± 1°		WEIGHT		CAGE CODE		RESTRICTED TO			
MATERIAL		FINISH		DRAWING NO					
				A3 00779 C-292469					
CUSTOMER DRAWING				SCALE	SHEET	REV			
				2:1	2 OF 2	D			