

DETAILS

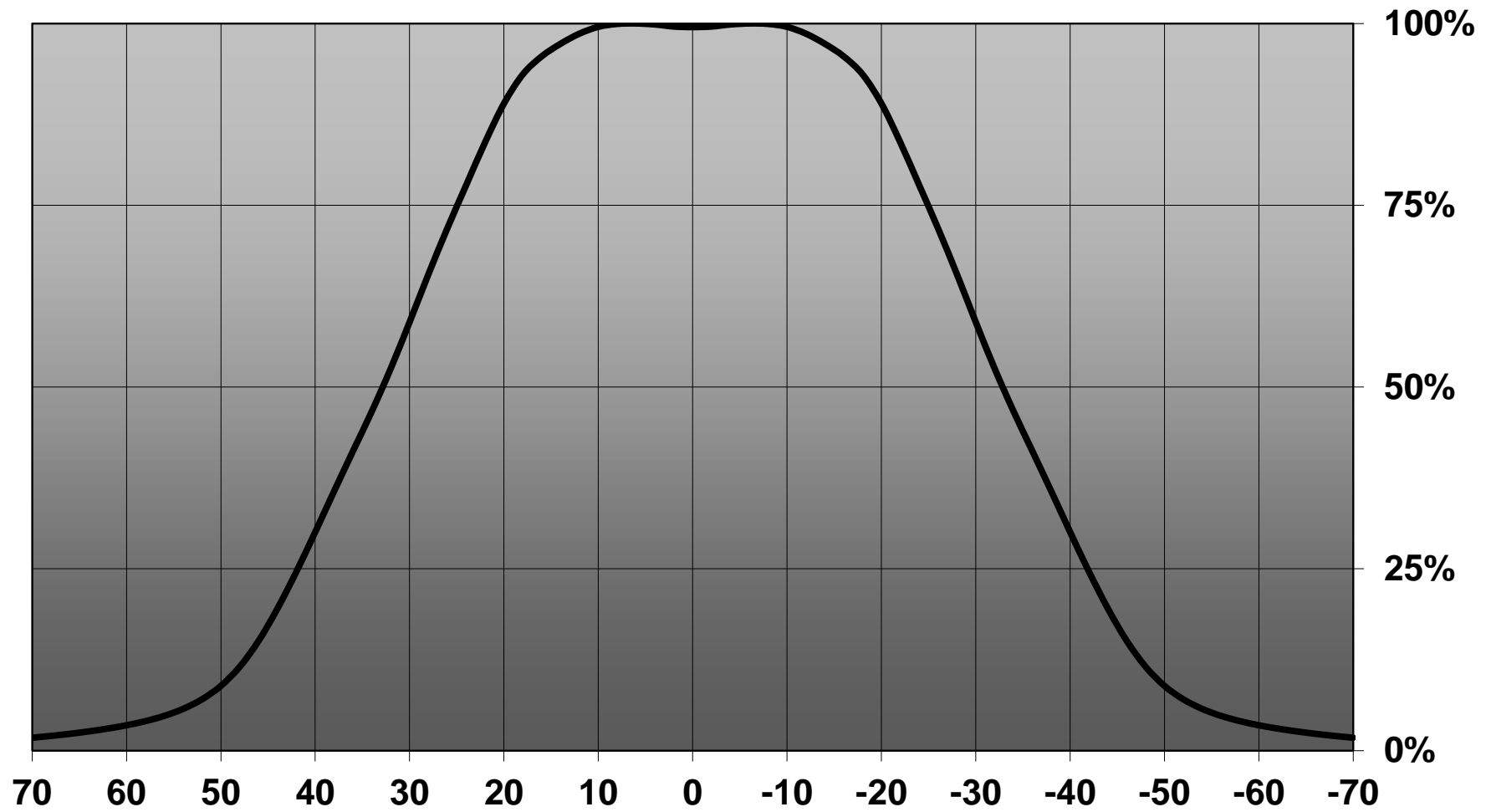
Product Number	CA12505_MIRA-WW
Family	Mira
Type	Assembly
Color	white
Diameter	35 mm
Height	15,8 mm
Style	round
Optic Material	PC
Holder Material	
Fastening	tape
Status	production ready
ROHS Compliant	Yes
Date Updated	30/12/2016

OPTICAL PROPERTIES

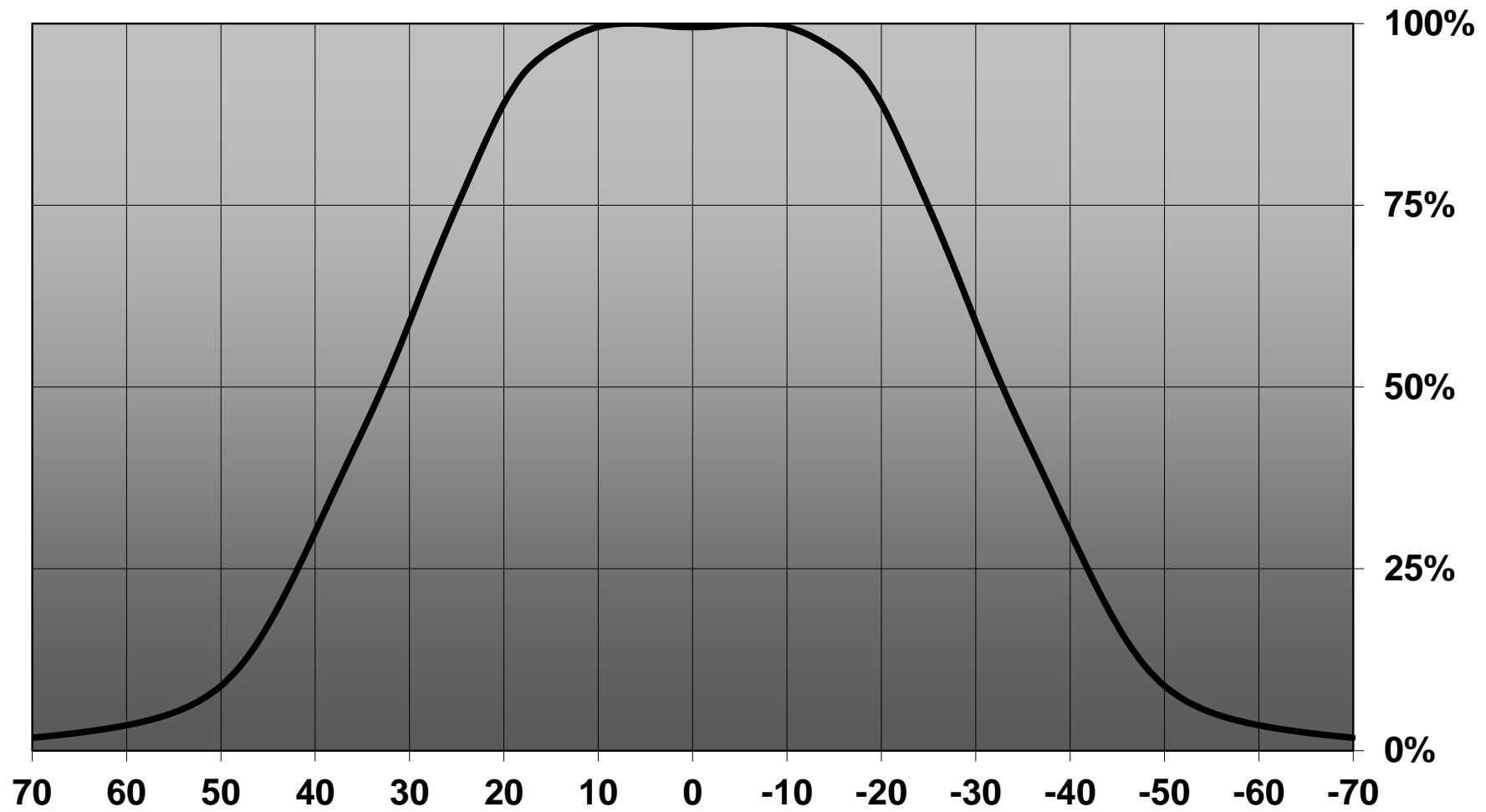
LED	Viewing Angle	Light Beam	Efficiency	cd/lm	Connector
MT-G2	58 deg	Very Wide	83 %	0.900	-
MT-G	66 deg	Very Wide	81 %	-	-
Duris P10	sim: 53	Very Wide	sim: 93 %	sim: 1.200	-



Relative intensity of CA12505_MIRA-WW (MT-G)



Relative intensity of CA12505_MIRA-WW (MT-G)



D

C

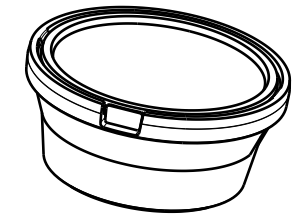
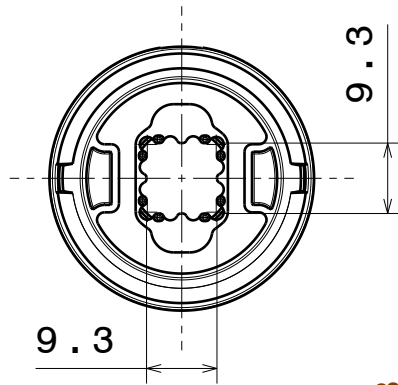
B

A

4

4

Bottom view

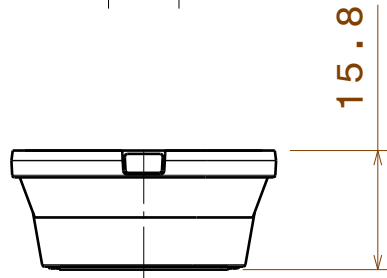


Isometric view

3

3

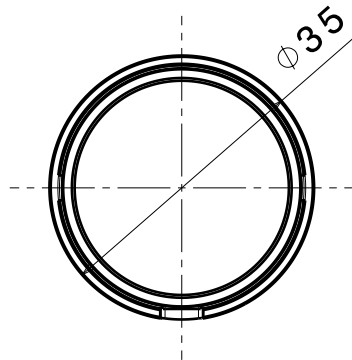
Front view



2

2

Top view



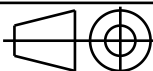
INDEX	PART NO	DESCRIPTION	MATERIAL	COLOUR
1	-	MIRA_MTG_ASSEMBLY	Lens and holder PC, Tape PU foam	

Tolerances if not otherwise shown
According to DIN ISO 2768-1
Linear measures:
Up to 30mm class M, otherwise class C.
According to DIN ISO 2768-2
Form and position: class L

LEDiL

Ledil Oy
Salorankatu 10
FIN 24240 SALO
Finland

THIRD ANGLE PROJECTION:



DRAWING TITLE

MIRA_MTG_ASSEMBLY

This drawing is the property
of LEDiL Oy. It may not be
reproduced, copied or
communicated without a written
agreement with LEDiL Oy."

SIZE PART NUMBER

A4

-

SCALE 1:1 WEIGHT

-

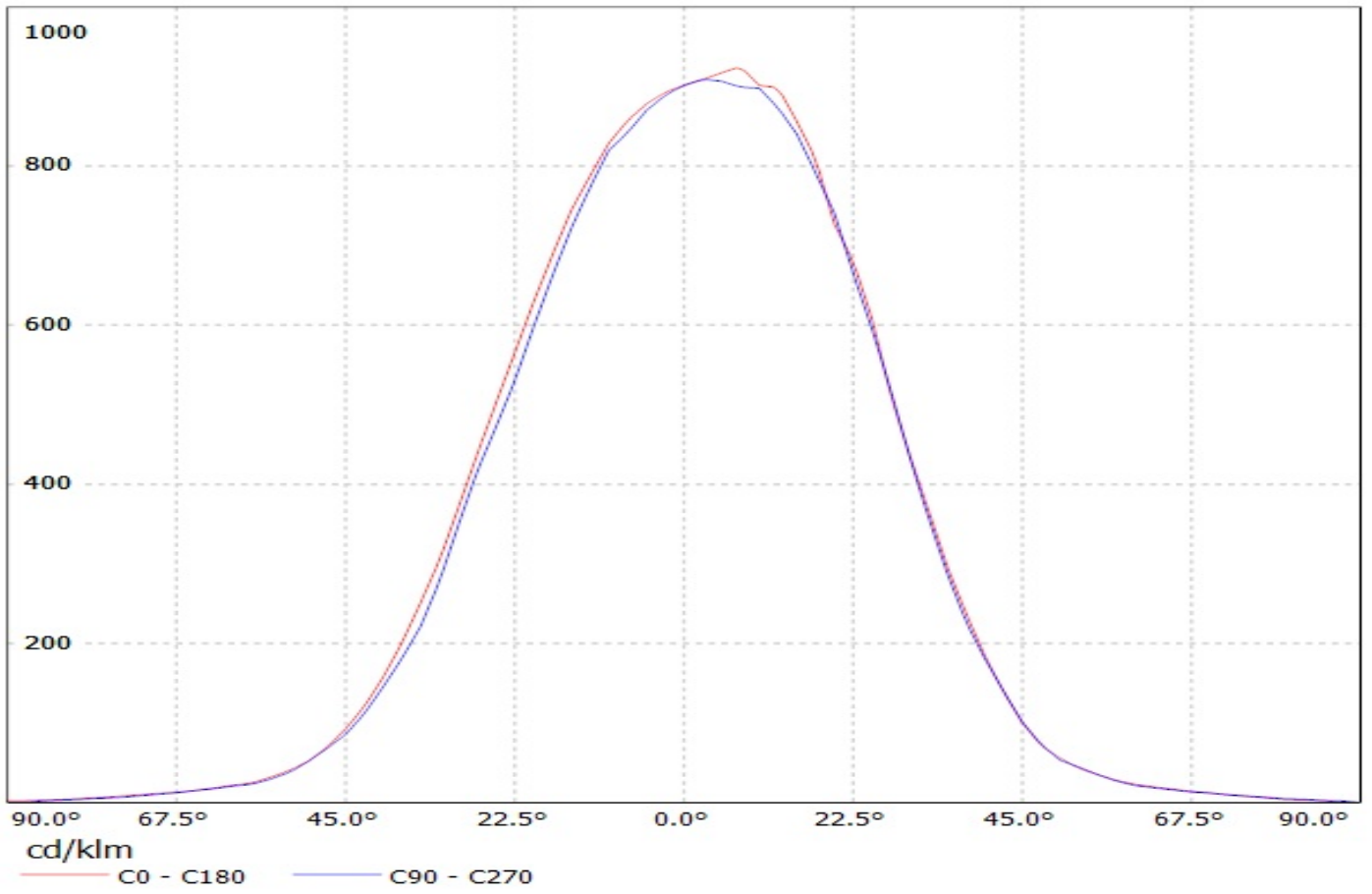
SHEET 1/1

D

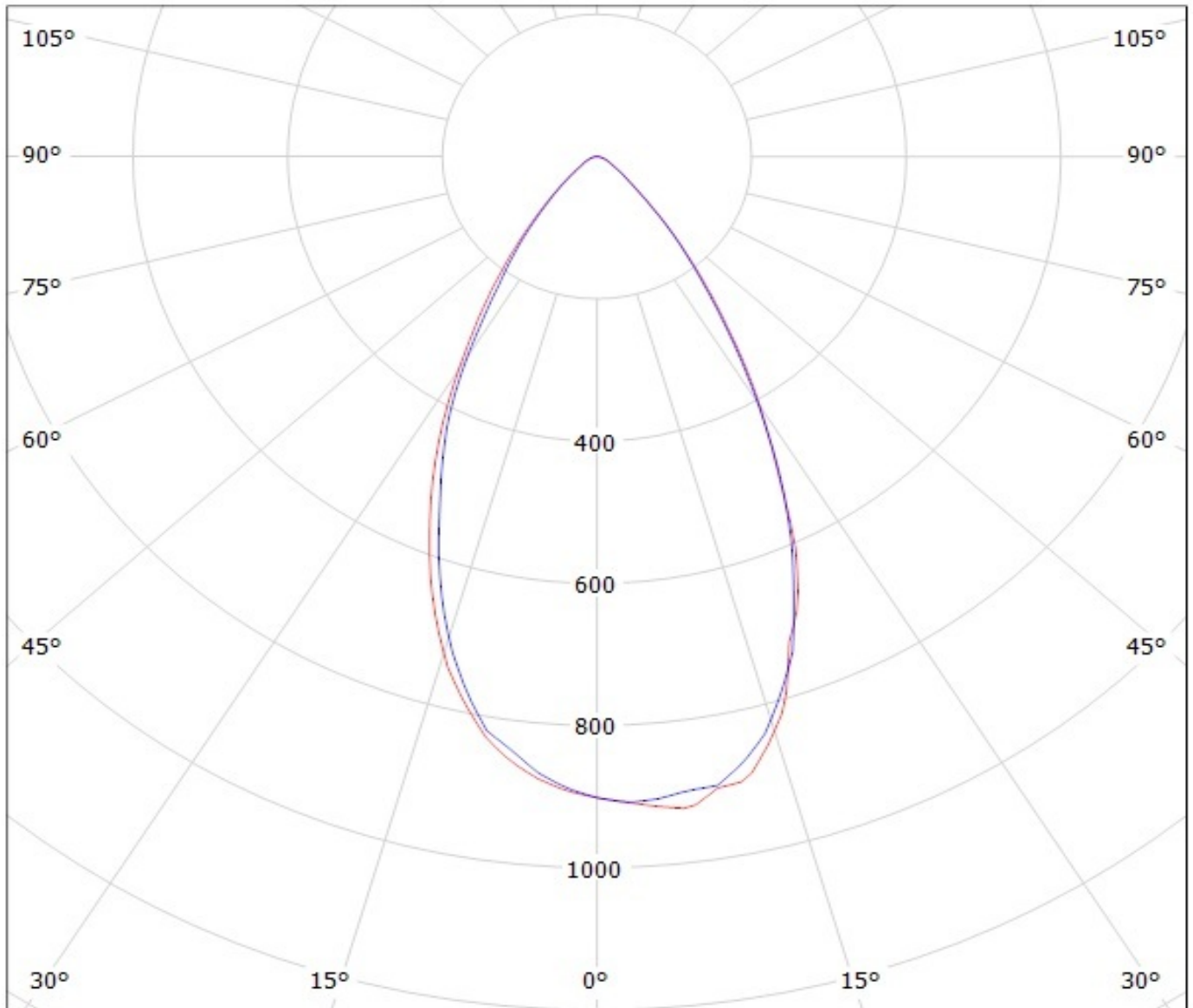
A

1

Luminaire: Ledil Oy CA12505_MIRA-WW (Cree MT-G G2 172lm @ 250mA) Efficiency=83%
Lamps: 1 x Cree MT-G G2 172lm @ 250mA



Luminaire: Ledil Oy CA12505_MIRA-WW (Cree MT-G G2 172lm @ 250mA) Efficiency=83%
Lamps: 1 x Cree MT-G G2 172lm @ 250mA



cd/klm

— C0 - C180

— C90 - C270

NOTE: The typical divergence will be changed by different color, chip size and chip position tolerance. The typical total divergence is the full angle measured where the luminous intensity is half of the peak value.