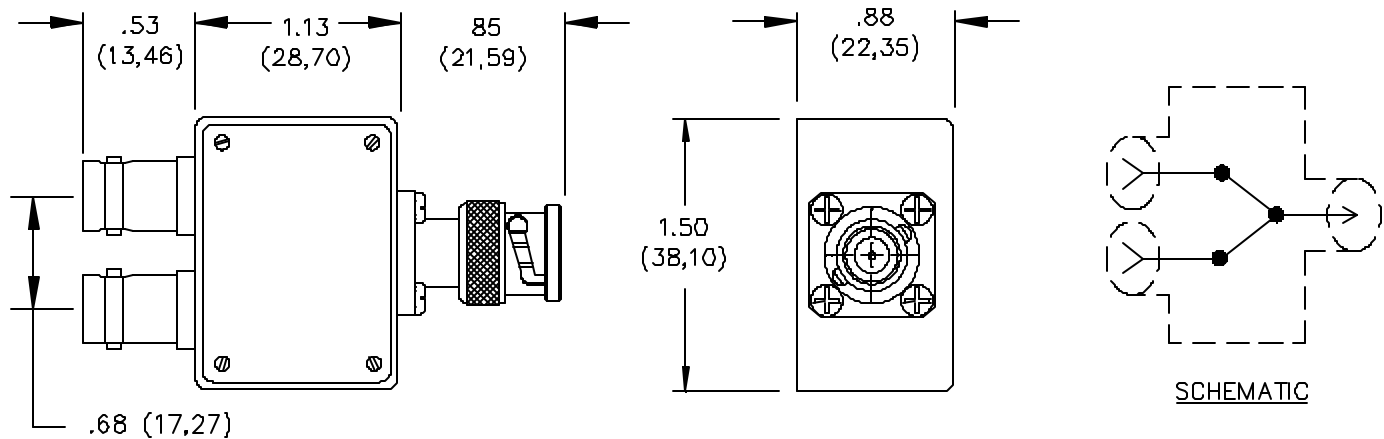


## Model 4057 BNC 'Y' Adapter, BNC (Females) To BNC (Male) In Shielded Box



### MATERIALS:

Connector: BNC (F) & BNC (M)

Body: Brass, Tarnish Resistant Plating, Center Contact: Female – Gold Plated Beryllium Copper, Male - Gold Plated Brass

Shielded Housing: Die cast aluminum Alloy A380 or A384.

Finish: Blue baked enamel per Federal Standard 595, 25109 over Phosphoric Etch per MIL-C-15328.

Marking: "Pomona Electronics Calif."

Screws: 4 each 4-40 x 4.76 (3/16") per MS35206-212 with clear irridite dip.

### RATINGS:

Operating Voltage: Inner Conductor/Shield: 500VRMS Max.

Nominal Impedance: 50 Ohms

### ORDERING INFORMATION: Model 4057

All dimensions are in inches. Tolerances (except noted): .xx = ±.02" (.51 mm), .xxx = ± .005" (.127 mm).

All specifications are to the latest revisions. Specifications are subject to change without notice.

Registered trademarks are the property of their respective companies. Made in USA