

4

3

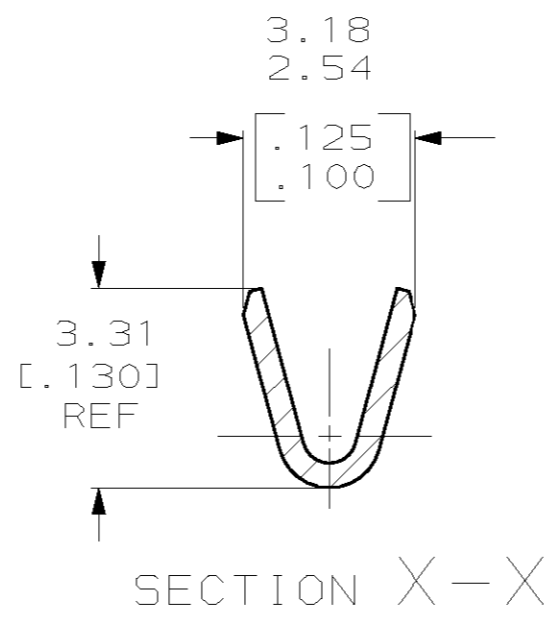
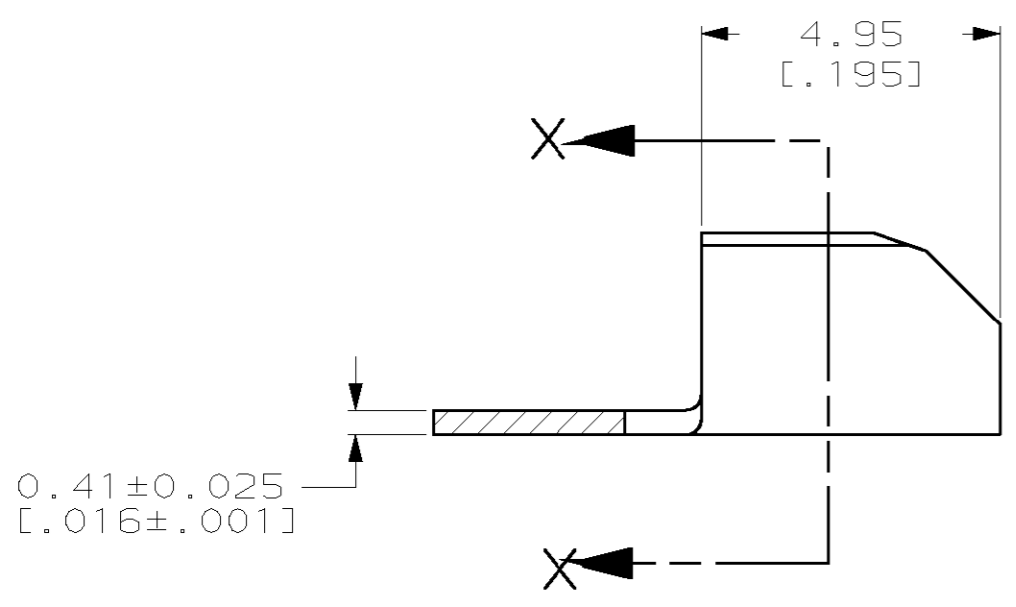
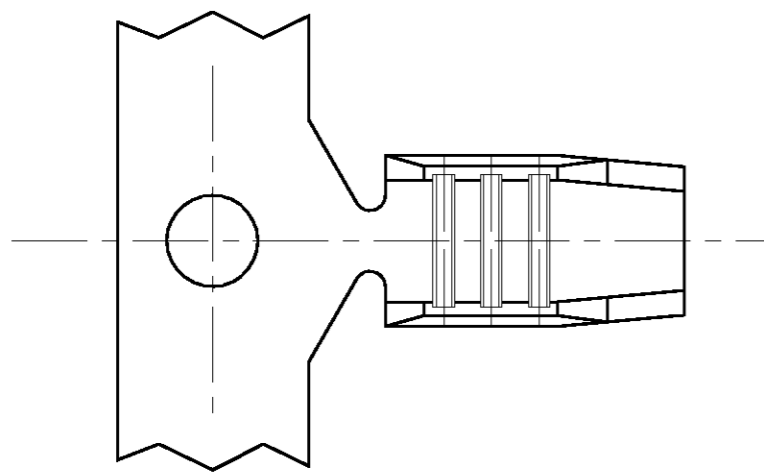
2

1

THIS DRAWING IS UNPUBLISHED. RELEASED FOR PUBLICATION, 19 .
 © COPYRIGHT 19 BY AMP INCORPORATED. ALL RIGHTS RESERVED.

LOC	DIST	REVISIONS			
P	LTR	DESCRIPTION	DATE	DWN	APVD
AF	50	B	REDRAWN & ADDED -2 PER OG3A-0493-00	27JUL00	JR GP

- 1 WIRE RANGE IS 480 TO 1700 CMA.
- 2 CONTINUOUS STRIP ON REELS.
- 3 PART REELED WITH WIRE BBL UP.
- 4 PRELIMINARY - NOT FOR PRODUCTION



3	4	62044-2
		62044-1
		PART NO.

THIS DRAWING IS A CONTROLLED DOCUMENT.		DWN JR RUTH 27JUL00	AMP Incorporated Harrisburg, PA 17105-3608	
DIMENSIONS: mm [INCHES]		CHK MS FEHER 27JUL00		
TOLERANCES UNLESS OTHERWISE SPECIFIED:		APVD G PORTA 27JUL00	NAME SPLICE, AMPLIVAR, MINIATURE	
0 PLC ±- 1 PLC ±- 2 PLC ±0.38 [.015] 3 PLC ±- 4 PLC ±- ANGLES ±-		PRODUCT SPEC -	APPLICATION SPEC 114-2016	
MATERIAL 082 BRASS		FINISH -	WEIGHT -	RESTRICTED TO -
CUSTOMER DRAWING			SIZE A3	CAGE CODE 00779
			DRAWING NO C-62044	RESTRICTED TO -
			SCALE 8:1	SHEET 1 OF 1
			REV B	