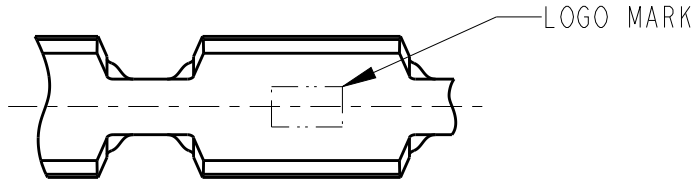
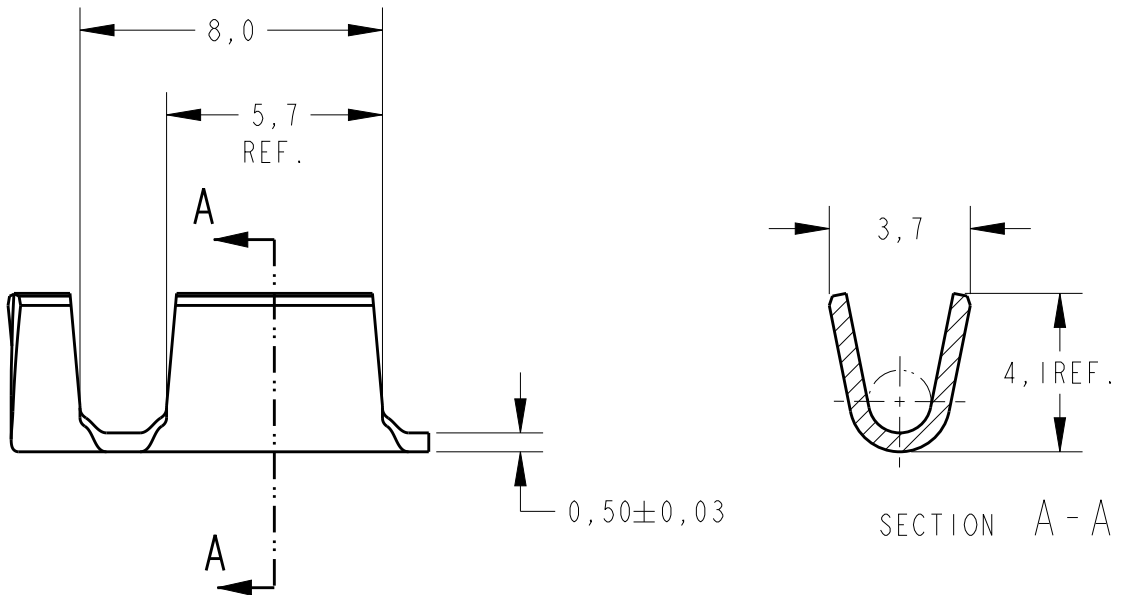



REVISIONS					
P	LTR	DESCRIPTION	DATE	DWN	APVD
	B2	REDRAWN AND REV. ECO15-011920	15OCT2015	HC	WLS
	B3	REVISED BY ECO 16-003728	11MAR2016	HC	WLS



 -OBSOLETE PARTS:
OBSOLETE CIS STREAMLINING
PER D.RENAUD/D.SINISI



OBSOLETE 	TIN PLATED	STEEL	626584-5
OBSOLETE	NICKEL PLATED	STEEL	626584-4
OBSOLETE		STEEL	626584-3
OBSOLETE	TIN PLATED	BRASS	626584-2
		BRASS	626584-1
	FINISH	MATERIAL	PART NUMBER

WIRE RANGE:
1500/5000 CMA

20


RELEASED FOR PUBLICATION

ALL RIGHTS RESERVED.

BY -

© COPYRIGHT 20

THIS DRAWING IS UNPUBLISHED.

DIMENSIONS: mm	DWN H.C.CANTERI 25MAY2015	MATERIAL -	FINISH -
TOLERANCES UNLESS OTHERWISE SPECIFIED: 0 PLC ±- 1 PLC ±0,3 2 PLC ±0,3 3 PLC ±- 4 PLC ±- ANGLES ±1°	CHK W.L.STEFANI APVD -	 TE Connectivity	
	PRODUCT SPEC -		
	APPLICATION SPEC -	SIZE A4	CAGE CODE -
	WEIGHT -	DRAWING NO C-626584	RESTRICTED TO -
CUSTOMER DRAWING		SCALE 5/1	SHEET 1 OF 1
			REV B3