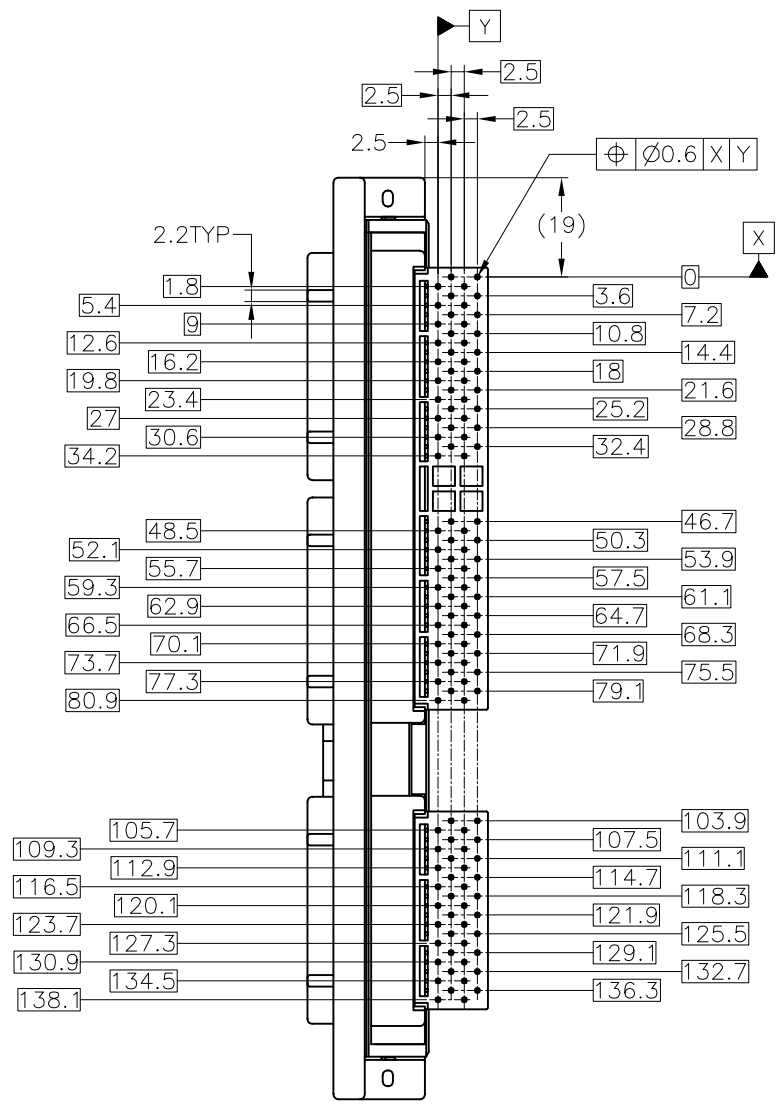
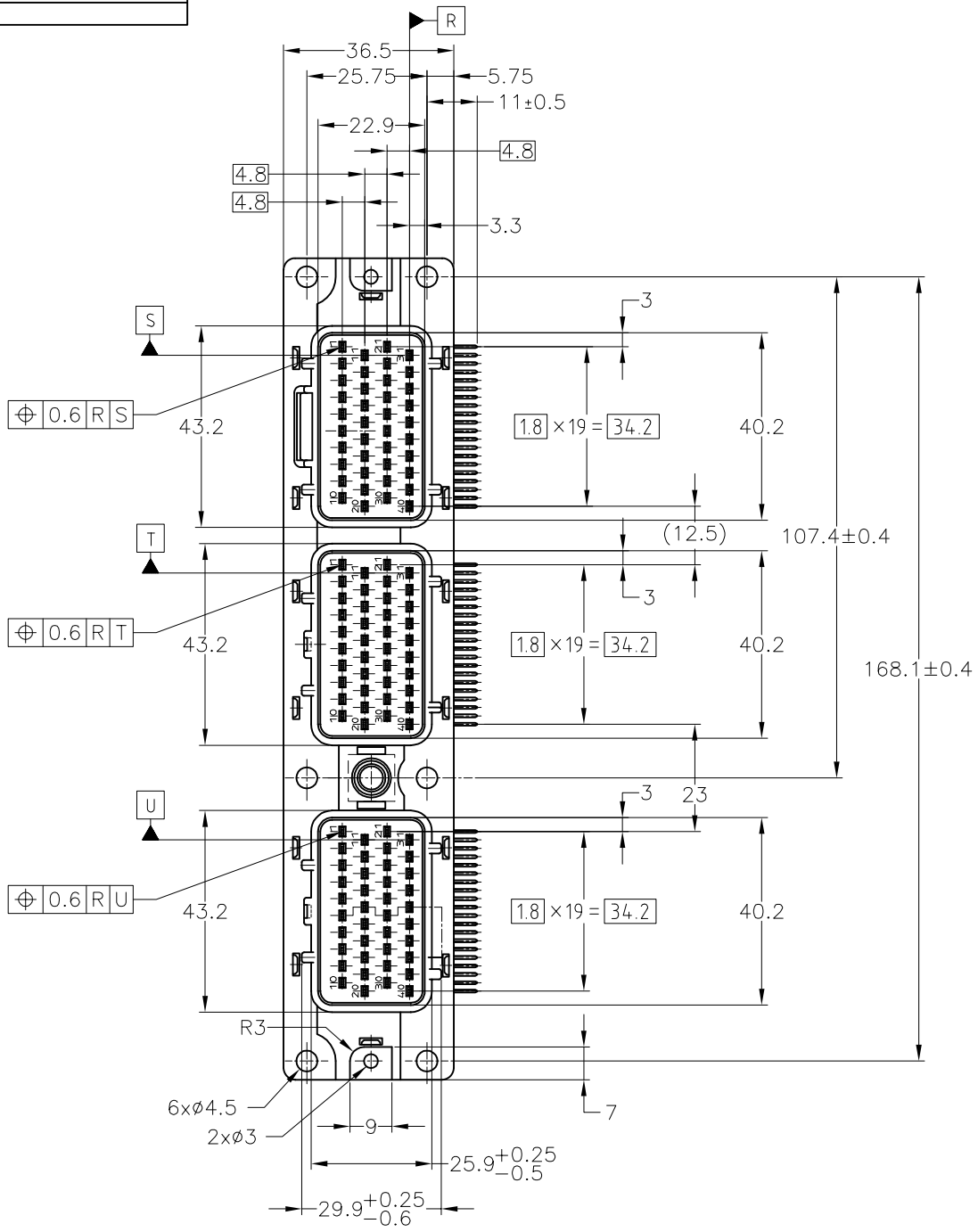
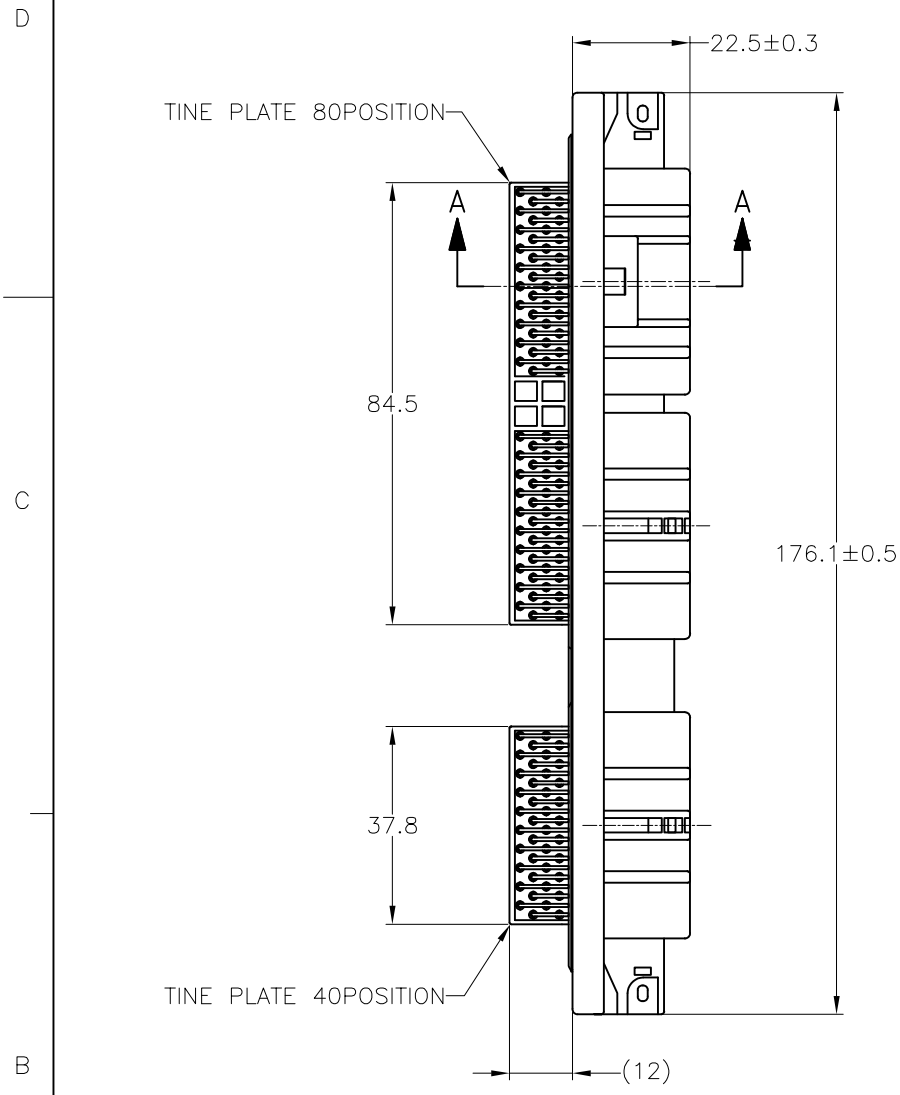
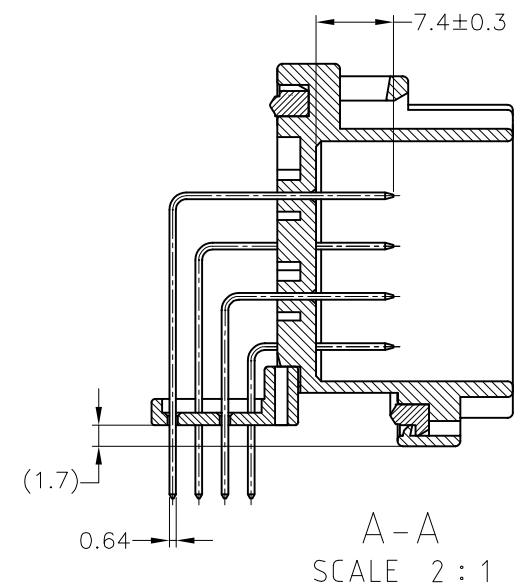
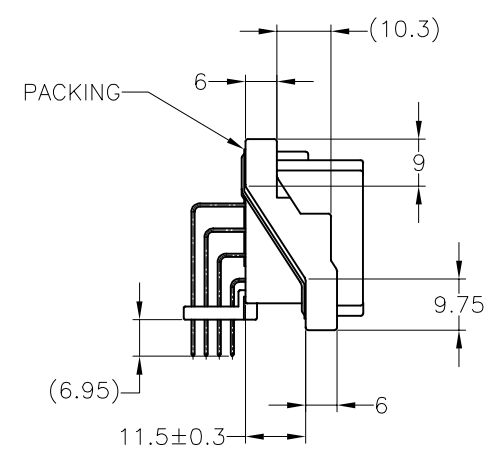


REVISIONS					
P	LTR	DESCRIPTION	DATE	DWN	APVD
B7	REVISED	ECR-16-016663	11JAN2017	TS	KB



1. APPLICABLE PLUG HOUSING NUMBER ; 178409, 178411
2. INSTRUCTION SHEET NUMBER ; 412-5633
1. 適用嵌合相手型番 ; 178409, 178411
2. 取扱説明書番号 ; 412-5633



TOLERANCES UNLESS OTHERWISE SPECIFIED: 一般公差

10 _a	±0.2
30 _a	>10 : ±0.25
100 _a	>30 : ±0.3
ANGLE	±3°

THIS DRAWING IS A CONTROLLED DOCUMENT.

DIMENSIONS: 単位: 概 mm	TOLERANCES UNLESS OTHERWISE SPECIFIED: 一般公差
0 PLC ±	1 PLC ±
2 PLC ±	3 PLC ±
4 PLC ±	ANGLES ±

MATERIAL 材料: PACKING: RUBBER; HOUSING: PBT; CONTACT: BRASS

DWN T.SHINOHARA 19FEB08	CHK K.BETSUI 18FEB08	APVD K.BETSUI 18FEB08	NAME 040 SERIES SEALED PAIR MATE CONNECTOR 120POSITION CAP HOUSING ASSEMBLY
PRODUCT SPEC 108-5365	APPLICATION SPEC 取付適用規格	SIZE A2	CAGE CODE 00779
WEIGHT 81.7 g	DRAWING NO. 178405	RESTRICTED TO	
CUSTOMER DRAWING	SCALE 1:1	SHEET 1 of 1	REV B7

PLASTIC BOX 通い箱	TARY トレイ	SELECTIVE-TIN (MATTE)	SELECTIVE GOLD	GRAY	1-5178405-6
PAPER BOX ダンボール箱	TARY トレイ	SELECTIVE-TIN (MATTE)	SELECTIVE GOLD	GRAY	5178405-1
OUTER 外装	INNER 内装	SOLDERING SIDE 半田付け部	CONTACT SIDE 嵌合部側	COLOR 色	PART NUMBER 製品型番
PACKING STYLE 梱包形態			CONTACT FINISH コンタクト仕上		