

### Ø 42 mm 10 and 17 Watts 10 W Part number 82810018



- Usable power : 9 to 16 W
- For low-speed drive applications
- Sintered bronze bearings lubricated for life
- Power supply by 4.75 mm tags
- Interchangeable brushes
- Optional one-channel encoder

#### Part numbers

	Type	Type	Voltage	References
82810018	10 W	828100	24 V	Without encoder

#### Specifications

##### No-load characteristics

Speed of rotation (rpm)	2780
Absorbed power (W)	4,3
Absorbed current (A)	0,18

##### Nominal characteristics

Speed (rpm)	2000
Torque (mNm)	41,5
Usable power (W)	8,7
Absorbed power (W)	15,6
Absorbed current (A)	0,65
Gearbox case temperature rise (°C)	46
Efficiency (%)	55,7

##### General characteristics

Insulation class (conforming to IEC 85)	F (155 °C)
Protection (IEC/EN 60529)	IP20
Max. output power (W)	9,5
Start torque (mNm)	117
Starting current (A)	1,7
Resistance (Ω)	14,6
Inductance (mH)	10,7
Torque constant (Nm/A)	0,077
Electrical time constant (ms)	0,73
Mechanical time constant (ms)	17
Thermal time constant (mn)	10
Inertia (g.cm <sup>2</sup> )	72
Weight (g)	310
Number of segments	8
Service life (h)	3000
Sintered bronze bearings	■
Replaceable brushes	■

##### Encoder characteristics

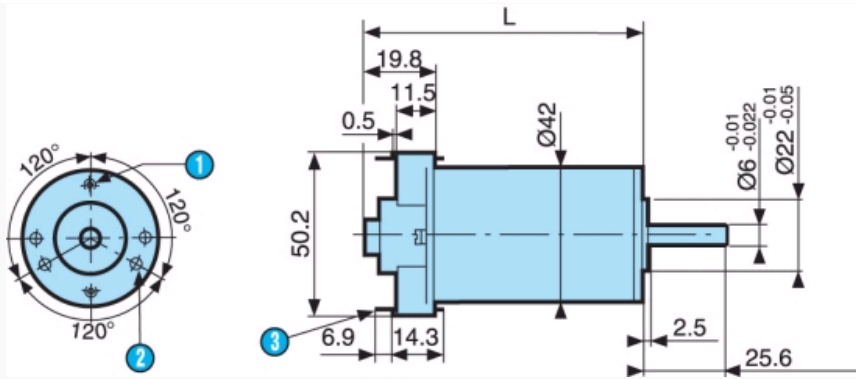
Output current (mA)	< 25 (25 °C)
Supply (V)	4,5 →30 DC
Ambient temperature (°C)	-40 →85 °C

#### Made to order products, available on request

- **Special interference suppression**
  - Other supply voltages
  - Motor with 1 ball bearing at front (essential for vertical motor)
  - Shaft lengths at front and/or rear
  - 5 pulses/revolution magnetic encoder
  - Reversible magnetic encoder (1 or 5 pulses/revolution)
  - Other fixing flanges on front

#### Dimensions (mm)

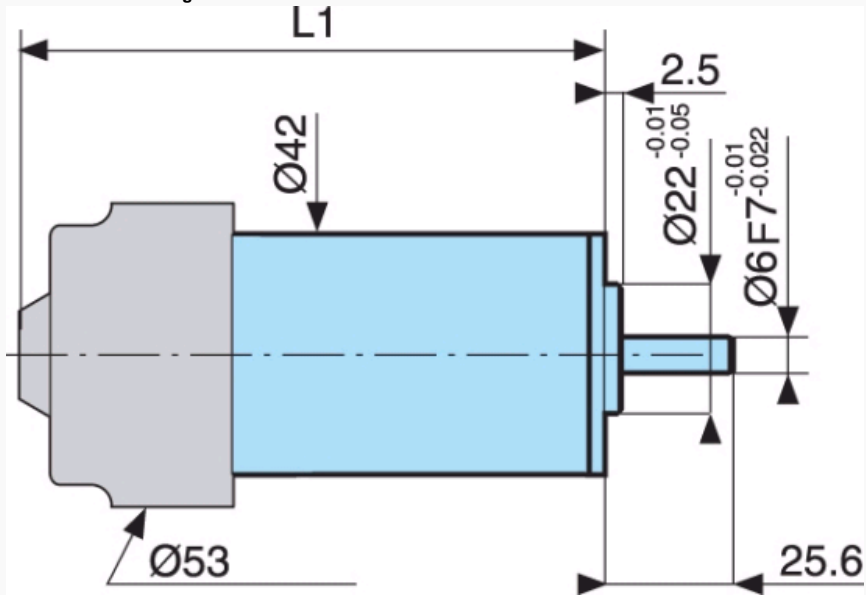
828000 - 828100



N°	Legend
1	2 x M3 at 180°, depth 5 mm over Ø 32
2	2 holes Ø 2.75 $\pm 0.05$ at 120° depth 5 mm Ø 32
3	2 tags IEC 760, series 4.8 x 0.5
	L : 828000 : 84.8 mm max.
	L : 828100 : 69.8 mm max.

### Dimensions (mm)

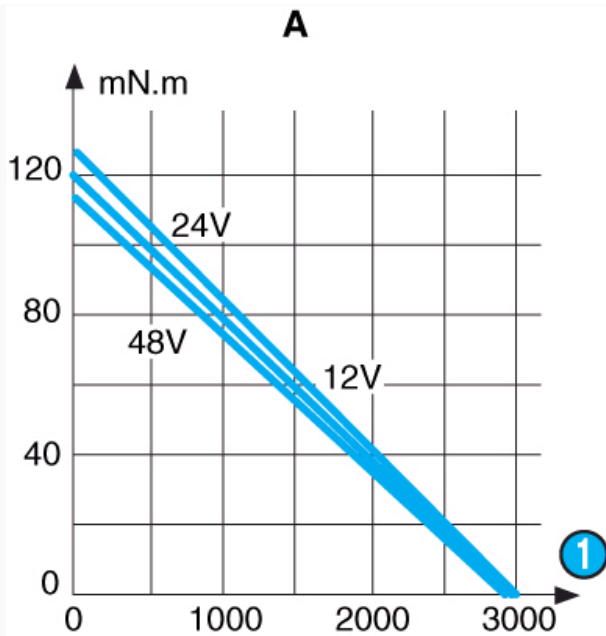
Dimensions with magnetic encoder



N°	Legend
	L1 : 828000 : 99.1 mm max.
	L1 : 828100 : 84.1 mm max.

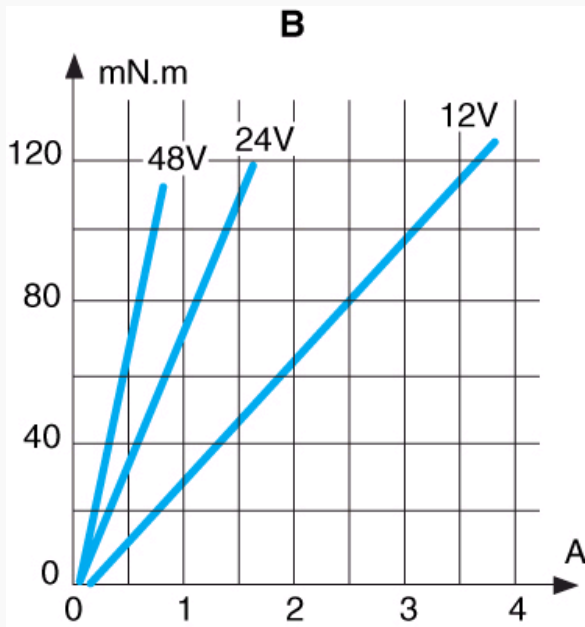
### Curves

828100



N°	Legend
1	rpm
	Torque/speed curve

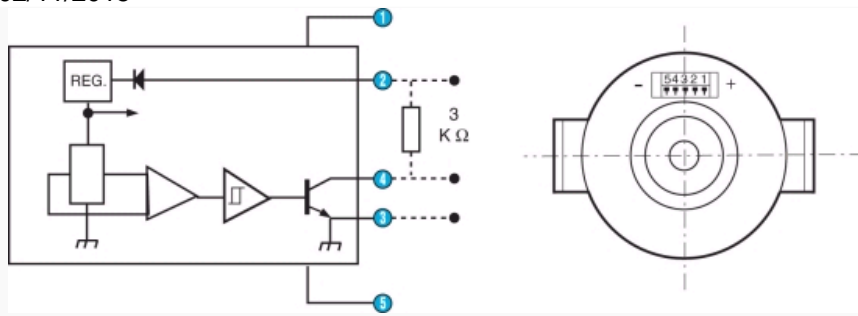
**Curves**  
828100



N°	Legend
	Torque/current curve

**Connections**

Encoder and connector : STOCKO MKS 3735-6-0-505



Part number of female connector to be used : STOCKO MKF 17-230 / 260 / 330 / 360

N°	Legend
①	Motor power supply
②	+5 → +24 V DC (encoder power supply)
③	0 V DC (encoder power supply)
④	Encoder signal output
⑤	Motor power supply

#### Product adaptations



- Special output shaft
- Pinion on output shaft
- Special supply voltage
- Special ball bearings
- Special mounting plate
- Special connections
- Encoder : 5, 200, 500 or 1000 pulses/revolution