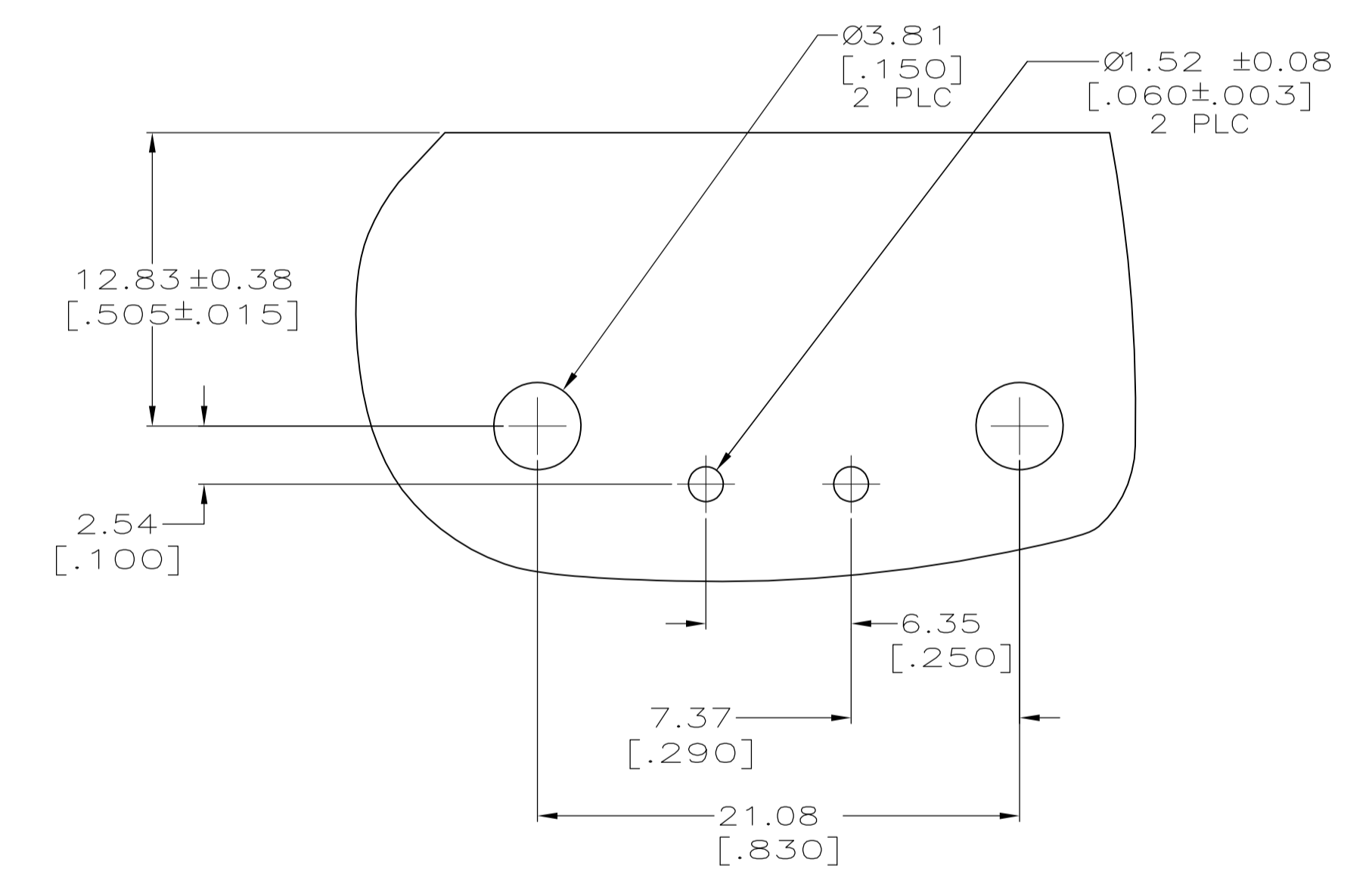
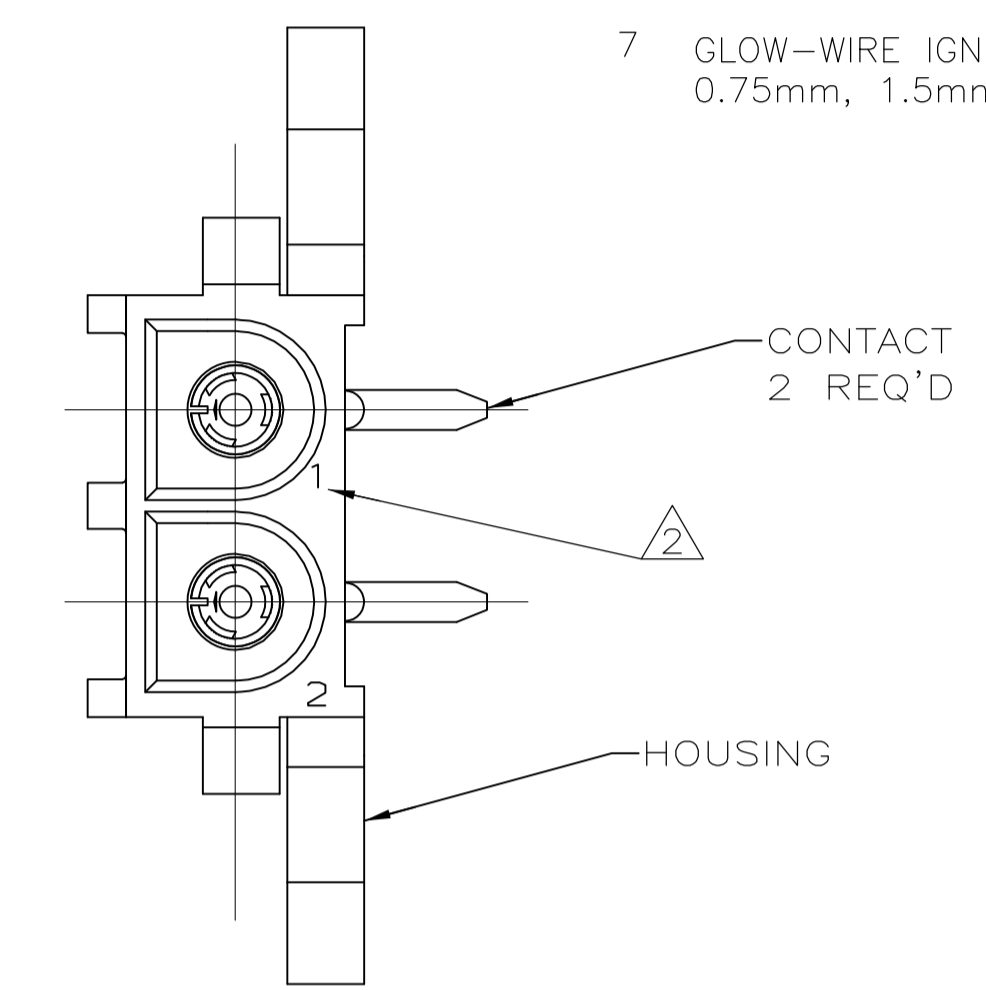
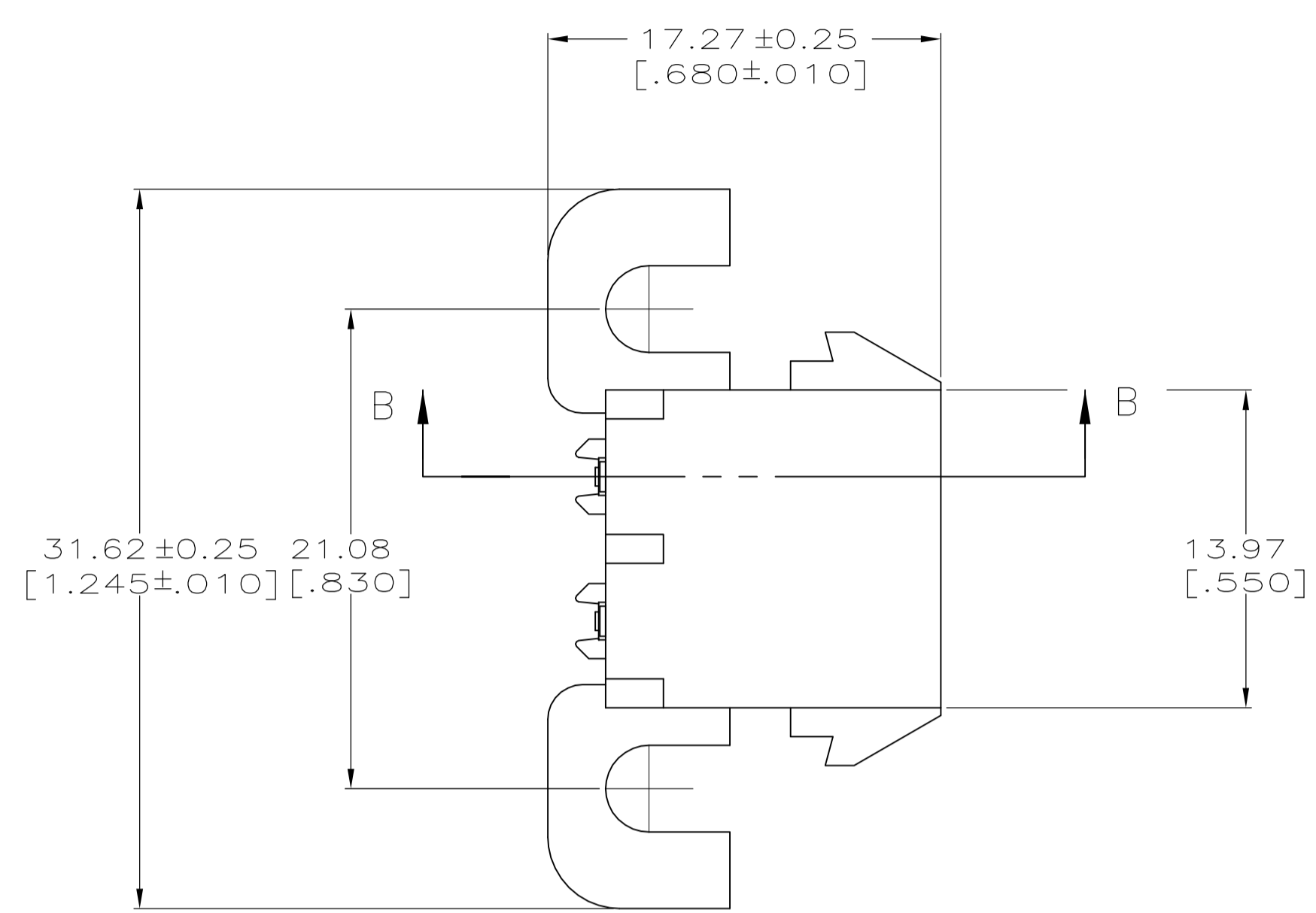
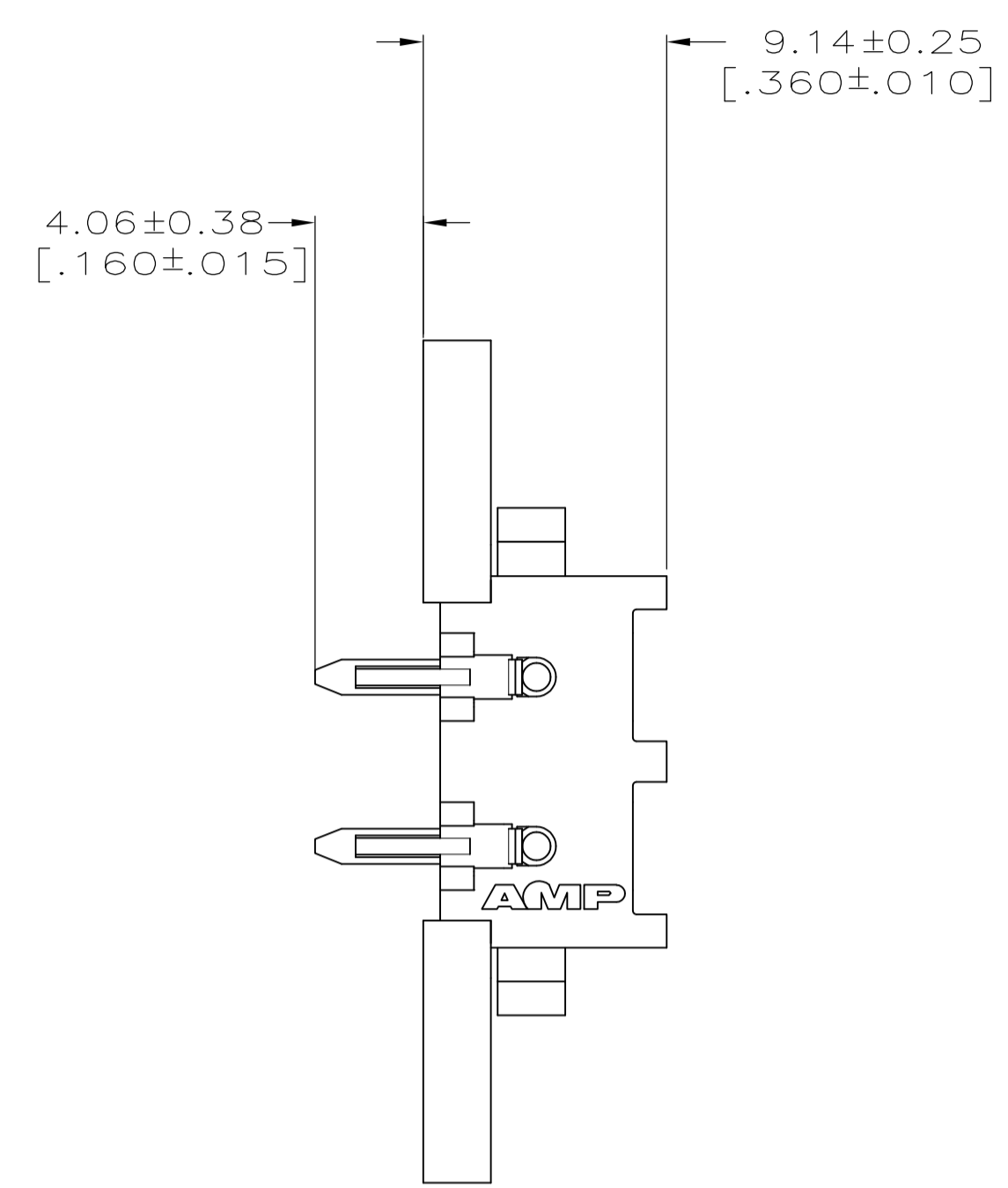
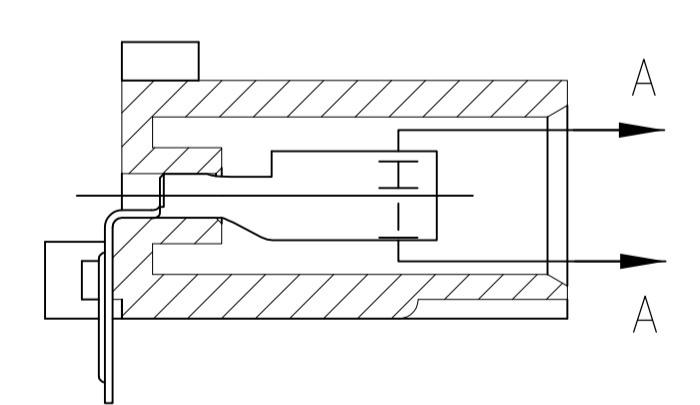


LOC		DIST		REVISIONS			
F	LTR	DESCRIPTION	DATE	DNW	APVD		
B		REV PER ECR 10-018921	13SEPT10	JR	TM		

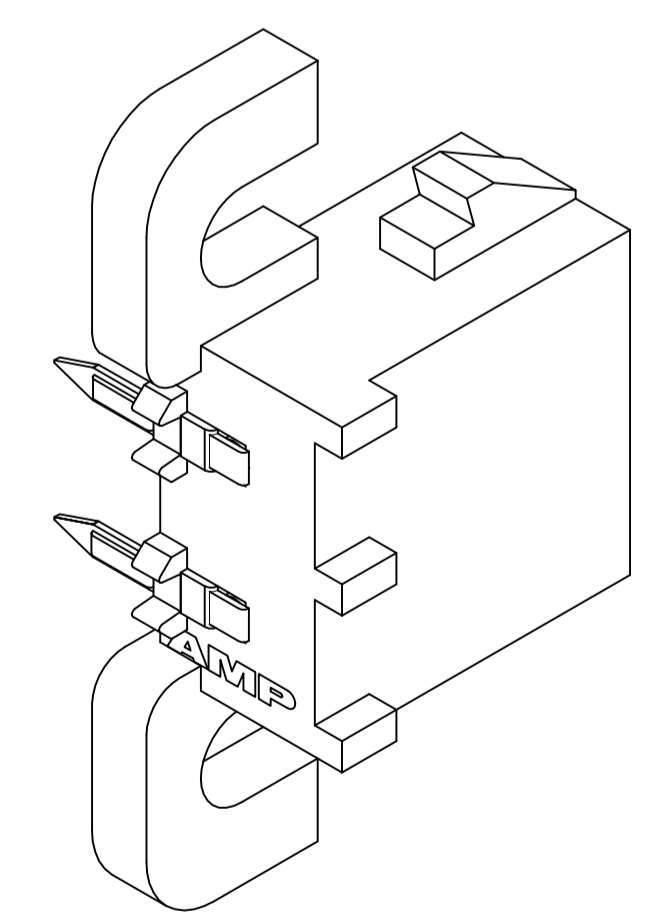
- PARTS COMPLY WITH AMP SOLDERABILITY SPECIFICATION 109-11-5.
- △ CIRCUIT IDENTIFICATION CHARACTERS ARE ADJACENT TO THE INDICATED CAVITIES, BUT LOCATION AND ORIENTATION MAY DIFFER FROM PRINT.
- DIMENSIONS IN BRACKETS ARE IN INCHES.
- FLAMMABILITY V2 FOR THICKNESS 0.38mm, 1.5mm, and 3.0mm PER IEC 60695-11-10.
- GLOW-WIRE FLAMMABILITY (GWFI) 800°C FOR THICKNESS 0.38mm AND 0.75mm PER IEC 60695-2-12.
- GLOW-WIRE FLAMMABILITY (GWFI) 960°C FOR THICKNESS 1.5mm AND 3.0mm PER IEC 60695-2-12.
- GLOW-WIRE IGNITION (GWIT) 825°C FOR THICKNESS 0.38mm, 0.75mm, 1.5mm AND 3.0mm PER IEC 60695-2-13.



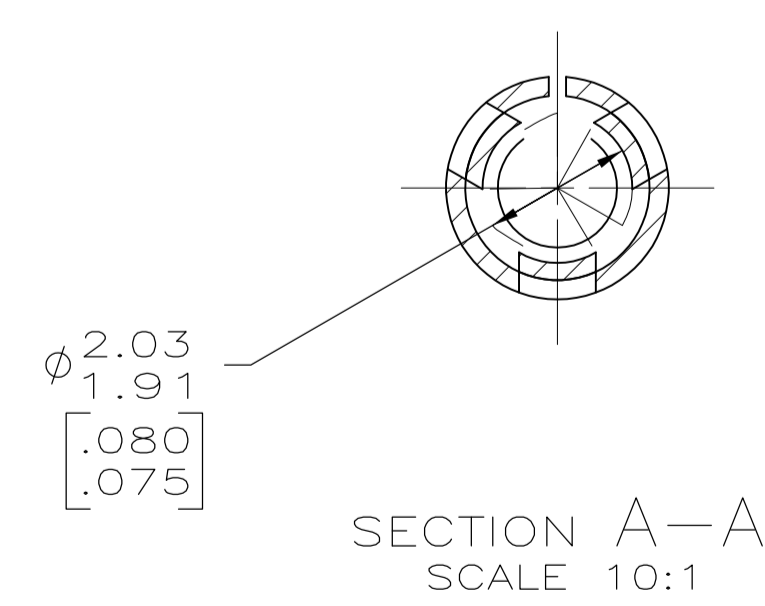
RECOMMENDED MOUNTING HOLE PATTERN FOR .062 [1.57] THICK P.C. BOARD



SECTION B-B



3-DIMENSIONAL MODEL NTS



SECTION A-A SCALE 10:1

METRIC

PH BRZ TIN	NYLON UL94V-2	1586890-1
CONTACT	HOUSING	PART NO
THIS DRAWING IS A CONTROLLED DOCUMENT. DIMENSIONS: mm [INCHES] TOLERANCES UNLESS OTHERWISE SPECIFIED: 0 PLC ± - 1 PLC ± - 2 PLC ± - 3 PLC ± 0.13[.005] 4 PLC ± - ANGLES ± - MATERIAL SEE TABLE FINISH SEE TABLE		
DNW: K. WHITAKER 14MAR2008 CHK: D. COLEY 14MAR2008 APVD: D. COLEY 14MAR2008 NAME: D. COLEY PRODUCT SPEC: - APPLICATION SPEC: - WEIGHT: - CUSTOMER DRAWING		Tyco Electronics Corporation Harrisburg, PA 17105-3608 NAME: D. COLEY SIZE: A1 CAGE CODE: 00779 DRAWING NO: 1586890 RESTRICTED TO: - SCALE: 4:1 SHEET: 1 OF 1 REV: B