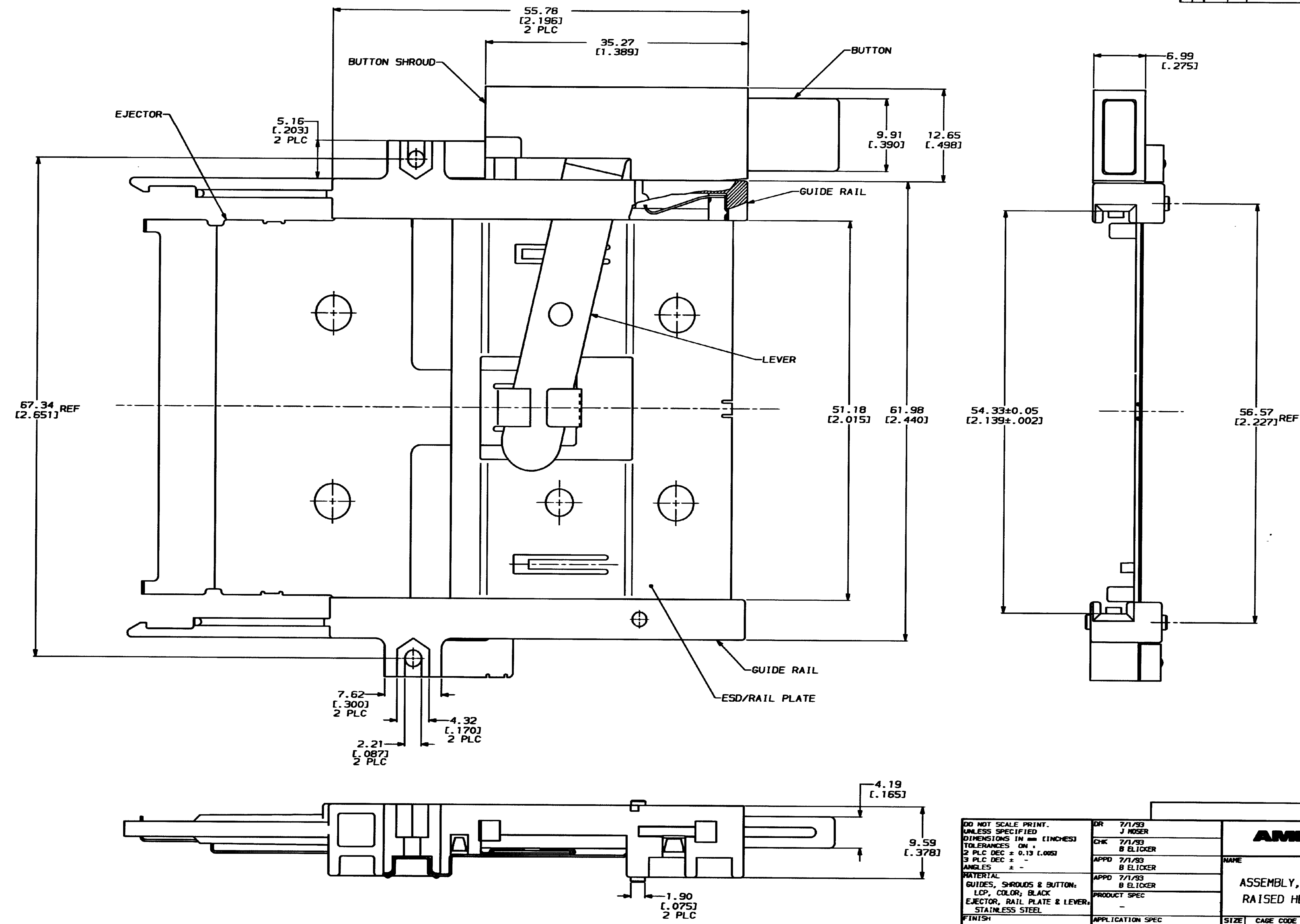


THIS DRAWING IS UNPUBLISHED. RELEASED FOR PUBLICATION BY AMP INCORPORATED. ALL INTERNATIONAL RIGHTS RESERVED. © COPYRIGHT 1979

LOC		DIST		REV		REVISIONS		DATE	APPD
AD	39			ZONE	LTR	DESCRIPTION			
				0		RELEASED PER PPR		7/1/93	BE



THIS DRAWING IS A CONTROLLED DOCUMENT FOR AMP INCORPORATED. IT IS SUBJECT TO CHANGE AND THE CONTROLLING ENGINEERING ORGANIZATION SHOULD BE CONTACTED FOR THE LATEST REVISION.

DO NOT SCALE PRINT. UNLESS SPECIFIED DIMENSIONS IN mm [INCHES]	DR 7/1/93 J MOSER
TOLERANCES ON +	CHK 7/1/93 B ELICKER
2 PLC DEC ± 0.13 [0.005]	APPD 7/1/93 B ELICKER
3 PLC DEC ± -	APPD 7/1/93 B ELICKER
ANGLES ± -	PRODUCT SPEC -
MATERIAL: GUIDES, SHROUDS & BUTTON: LCP, COLOR: BLACK; EJECTOR, RAIL PLATE & LEVER: STAINLESS STEEL	APPLICATION SPEC -
FINISH: -	WEIGHT 18.1 GRAMS

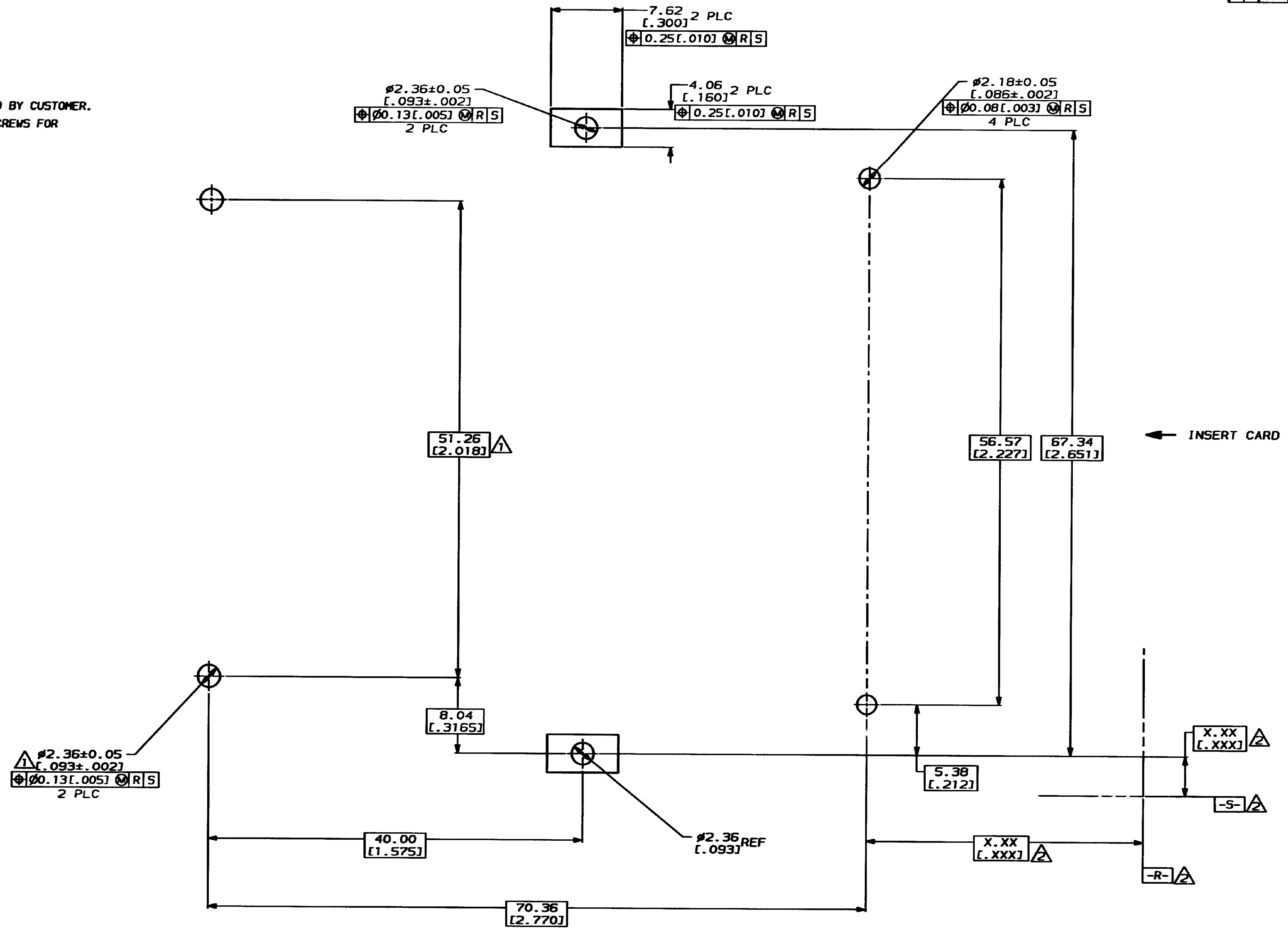
146022-1		PART NO	
AMP Incorporated Harrisburg, PA 17105-3608			
NAME: ASSEMBLY, EJECTOR, RIGHT BUTTON, RAISED HEIGHT, AMP MEMORY CARD			
SIZE D	CAGE CODE 00779	DRAWING NO C-146022	
SCALE 4:1	SHEET 1 OF 2		

CUSTOMER DRAWING

THIS DRAWING IS UNPUBLISHED. RELEASED FOR PUBLICATION .19
 © COPYRIGHT 19 BY AMP INCORPORATED. ALL INTERNATIONAL RIGHTS RESERVED.

LOC	DISP	REV	ZONE	LTR	DESCRIPTION	DATE	APPD
AD	39	0			SEE SHEET ONE	-	-

- ▲ HEADER MOUNTING HOLE LOCATIONS
- ▲ DATUMS & BASIC DIMENSIONS ESTABLISHED BY CUSTOMER.
- 3. ASSEMBLY REQUIRES USE OF 2-SIZE 2M SCREWS FOR FASTENING TO PRINTED CIRCUIT BOARD.



RECOMMENDED BOARD LAYOUT

THIS DRAWING IS A CONTROLLED DOCUMENT FOR AMP INCORPORATED. IT IS SUBJECT TO CHANGE AND THE CONTROLLING ENGINEERING ORGANIZATION SHOULD BE CONTACTED FOR THE LATEST REVISION.

DO NOT SCALE PRINT. UNLESS SPECIFIED DIMENSIONS IN mm [INCHES] TOLERANCES ON: 2 PLC DEC ± 0.13 [0.005] 3 PLC DEC ± - ANGLES ± -		DR 7/1/93 J MOSER	PART NO	
MATERIAL -		CHK 7/1/93 B ELICKER	AMP AMP Incorporated Harrisburg, PA 17105-3608	
FINISH -		APPD 7/1/93 B ELICKER	NAME	
APPLICATION SPEC -		PRODUCT SPEC -	ASSEMBLY, EJECTOR, RIGHT BUTTON, RAISED HEIGHT, AMP MEMORY CARD	
WEIGHT -		SIZE D	CAGE CODE 00779	DRAWING NO C-146022
		SCALE 4:1	SHEET 20F2	

CUSTOMER DRAWING